



PE2G2BPI35A

Dual Port Copper Gigabit Ethernet PCI Express Bypass Server Adapter Intel® i350AM2 Based

Product Description

Silicom's Dual Port Copper Gigabit Ethernet PCI Express Bypass Server adapter is PCI-Express X4 Copper Gigabit Ethernet network interface card that is based on a single chip, non-Bridged Dual port GBE controller.

Silicom's Dual Port Gigabit Ethernet Bypass server adapter supports Normal, Disconnect and Bypass modes. In Normal mode, the ports are independent interfaces. In Bypass mode, all packets received from one port are transmitted to adjacent port. In Disconnect mode, the adapter simulates switch / rout cable disconnection.

In Bypass mode, the connections of the Ethernet ports are disconnected from the system and switched over to the other port to create a crossed connection loop-back between the Ethernet ports. Hence, in bypass mode all packets received from one port are transmitted to the adjacent port and vice versa. This feature enables to bypass a failed system and provides maximum up time for the network. In Disconnect mode, the adapter simulates switch / router cable disconnection. In Disconnect mode, the switch / router does not detect link partner of the adapter.

Silicom's Dual Port Copper Gigabit Ethernet PCI Express Bypass server adapters include an on board WDT (Watch Dog Timer) controller. The adapter's software drivers or software application can write commands to the on board WDT controller.

The adapter's software drivers, WDT controller and the Bypass circuitry provide an interface that control and manage the mode of the adapter. Silicom's Dual Port Copper Gigabit Ethernet PCI Express Bypass Server adapter is the ideal solution for implementing multiple network segments, mission-critical high-powered networking applications and environments within high performance servers.

Silicom's Dual Port Copper Gigabit Ethernet Bypass Server adapter is based on Intel i350 Dual port Gigabit Ethernet MAC+PHY of Intel Controller. The Silicom i350 support PCI-SIG Single-Root I/O virtualization and sharing specification (SR-IOV).

Key Features

Performance Features:

- 8 Transmit and 8 Receive queues per port
- Up to 8 queues of Receive Side Scaling (RSS) minimize CPU utilization across multiple processor systems
- Support PCI-SIG Single-Root I/O virtualization Rev 1.1
- Support for up to 8 virtual function (VFs)
- Partial replication of PCI Configuration space
- Support for 8 pools (single queue) of virtual machine Device Queues (VMDq) per port

- Support Direct Cache Access (DCA)
- Support Intel I/O Acceleration Technology v3.0
- TSO interleaving for reduced latency
- Minimized device I/O interrupts using MSI and MSI-X
- UDP, TCP and IP checksum offload
- UDP and TCP transmit segmentation offload (TSO). machine
- SCTP receive and transmit checksum offload
- Packet interrupt coalescing timers (packet timers) and absolute-delay interrupt timers for both transmit and receive operation
- EEE (IEEE 802.3az) for reduced power consumption during low link utilization periods

Bypass:

- Bypass / Disconnect Ethernet ports on Power Fail, System Hangs or Software Application Hangs
- Software programmable Bypass, Disconnect or Normal Mode
- On Board Watch Dog Timer (WDT) Controller
- Software programmable time out interval
- Software Programmable WDT Enable / Disable counter
- Software programmable Bypass Capability Enable / Disable
- Software Programmable Disconnect Capability Enable / Disable
- Software Programmable mode (Bypass, Normal or Disconnect mode) at Power up
- Software Programmable mode (Bypass, Normal mode) at Power off
- Independent Bypass operation in every two ports

Copper Gigabit Ethernet 1000Base-T :

- Independently copper Gigabit Ethernet channels support four Gigabit Ethernet (1000Base-T), Fast Ethernet (100Base-Tx) and Ethernet (10Base-T).
- Triple speed 1000Mbps (1000Base-T), 100 Mbps (100Base-Tx) and 10 Mbps (100Base-T) operation
- Nway auto negotiation automatic sensing and switching between 1Gbps full duplex and 100 / 10 Mbps operations Simplex or Full Duplex
- RJ-45 female connectors

Common Key features:

- Support PCI Express Base Specification 2.1 (5 GTs)
- High performance, reliability, and low power use in Intel i350 Dual integrated MAC + PHY and SERDES chip Controllers
- Ultra deep, packet buffer per channel lowers CPU utilization

- Hardware acceleration that can offload tasks from the host processor. The Controllers can offload TCP/UDP/IP checksum calculations and TCP segmentation
- Server class reliability, availability and performance features:
 - Link Aggregation and Load Balancing
- Priority queuing – 802.1p layer 2 priority encoding
- Virtual LANs –802.1q VLAN tagging
- Jumbo Frame (9.5KB)
- 802.x flow control
- Multicast/ broadcast Packet replication
- Supports Vital Product Data (VPD)
- LEDs indicators for link/Activity/Speed status

Technical Specifications

Bypass Specifications	
WDT Interval (Software Programmable):	3,276,800 mSec (3,276.8 Sec): Maximum 100 mSec (0.1 Sec) : Minimum WDT Interval = (2 ^{wdt_interval_parameter})*(0.1) sec. wdt_interval_parameter: { Valid Range: 0-15}
Copper Gigabit Ethernet Technical Specifications – (1000Base-T) Adapters:	
IEEE Standard / Network topology:	Gigabit Ethernet, 1000Base-T Fast Ethernet, 100Base-TX Ethernet, 10Base-T
Full duplex / Simplex:	Support both Simplex & Full duplex operation in all operating speeds
Auto negotiation:	Auto-negotiation between Full duplex and simplex operations and between 10Mb/s 100Mb/s speeds and duplex 1000Mb/s
Data Transfer Rate:	1000 Mb/s, 100 Mb/s and 10 Mb/sec in simplex mode per port. 2000Mb/s 200 and 20 Mb/s in full duplex mode per port
Cables and Operating distance:	10Base-T Category 3, 4, or 5 maximum 50m * 100Base-Tx Category 5 maximum 50m * 1000Base-T Category 5E maximum 50m * *Theoretical Distance – Defined as half a distance as stated by the IEEE 802.3 standard

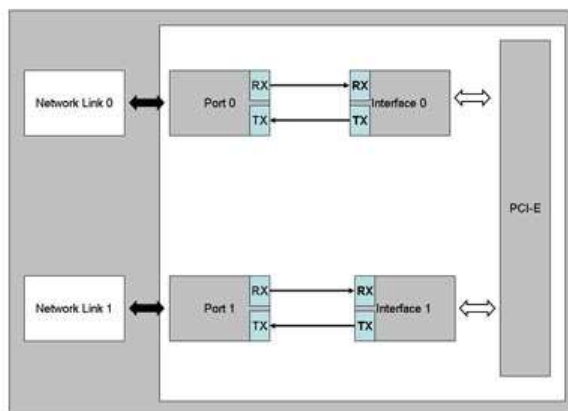
Operating Systems Support	
Operating system support:	Linux
General Technical Specifications	
Interface Standard:	PCI-Express Base Specification Revision 2.1 (5 GTs)
Board Size:	Low profile short add-in card: 167.64mm X 68.91mm (6.60"X 2.713")
PCI Express Card Type:	X4 Lane
PCI Express Voltage:	+12V +- 8%
PCI Connector:	Gold Finger: X4
Controller:	Intel i350AM2
I/O:	Dual RJ45 located on edge of the board
Weight:	130gr (4.586 oz)
Power Consumption:	<p>Normal mode:</p> <p>4.56W, 0.38A at 12V: Typical all ports operate at 1000Mb/s.</p> <p>3W, 0.25A at 12V: Typical all ports operate at 100Mb/s.</p> <p>2.64W, 0.22A at 12V: Typical all ports operate at 10Mb/s.</p> <p>2.16W, 0.18A at 12V: Typical No link at all ports.</p> <p>Bypass mode:</p> <p>2.28W, 0.19A at 12V: Typical Bypass Mode</p> <p>Disconnect mode:</p> <p>2.64W, 0.22A at 12V: Typical Bypass Mode</p>
Holder:	Metal Bracket: Full Height / Low profile Height
Operating Humidity:	0%–90%, non-condensing
Operating Temperature:	0°C – 45°C (32°F – 113°F)
Storage:	-40°C–65°C (-40°F–149°F)
EMC Certifications:	<p>FCC Part 15, Subpart B Class A</p> <p>Conducted Emissions</p> <p>Radiated Emissions</p> <p>CE EN 55022: 1998 Clas Amendments A1: 2000; A2: 2003</p>

	<p>Conducted Emissions</p> <p>Radiated Emissions</p> <p>CE EN 55024: 1998 Amendments A1: 2000; A2: 2003</p> <p>Immunity for ITE Amendment A1: 2001</p> <p>CE EN 61000-3-2 2000, Class A</p> <p>Harmonic Current Emissions</p> <p>CE EN 61000 3-3 1995, Amendment A1: 2001</p> <p>Voltage Fluctuations and Flicker</p> <p>CE IEC 6100-4-2: 1995</p> <p>ESD Air Discharge 8kV. Contact Discharge 4kV.</p> <p>CE IEC 6100-4-3:1995</p> <p>Radiated Immunity (80-1000Mhz), 3V/m 80% A.M. by 1kHz</p> <p>CE IEC 6100-4-4:1995</p> <p>EFT/B: Immunity to electrical fast transients 1kV Power Leads, 0.5Kv Signals Leads</p> <p>CE IEC 6100-4-5:1995</p> <p>Immunity to conductive surges COM Mode; 2kV, Dif. Mode 1kV</p> <p>CE IEC 6100-4-6:1996</p> <p>Conducted immunity (0.15-80 MHz) 3VRMS 80% A.M. By 1kHz</p> <p>CE IEC 6100-4-11:1994</p> <p>Voltage Dips and Short Interruptions</p> <p>V reduc >95%, 30% >95% Duration 0.5per, 25per, 250per</p>
MTBF:	<p>159</p> <p>*According to Telcordia SR-332 Issue 2. Environmental condition – GB (Ground, Fixed, and Controlled). Ambient temperature 40°C</p>
LEDs	
LEDs:	<p>(3) LEDs per port</p> <p>Link/Act LED :</p> <p>Turns on link (Green),</p> <p>Blinks on activity (Green)</p> <p>Bypass LED: Turns on bypass (Green),</p> <p>Disconnect LED: Turns on disconnect (Green)</p>
LEDs location:	LEDs are located right to RJ-45 connector
Connectors:	Dual Shielded RJ-45

Functional Description

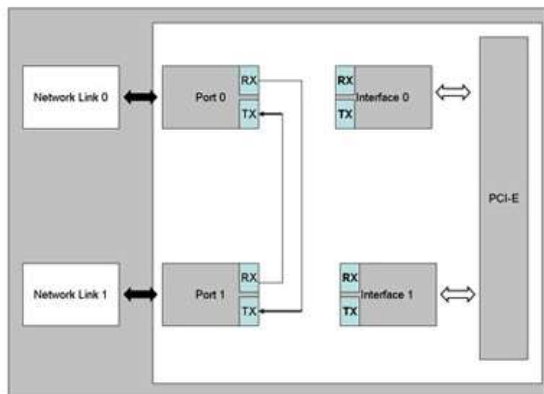
Silicom's Dual Port Bypass adapter supports Normal, Bypass and Disconnect modes. In Normal mode, the ports are independent interfaces (see Figure 1: Normal mode, one Bypass pair is illustrated).

Figure 1: Normal Mode Functional Block Diagram



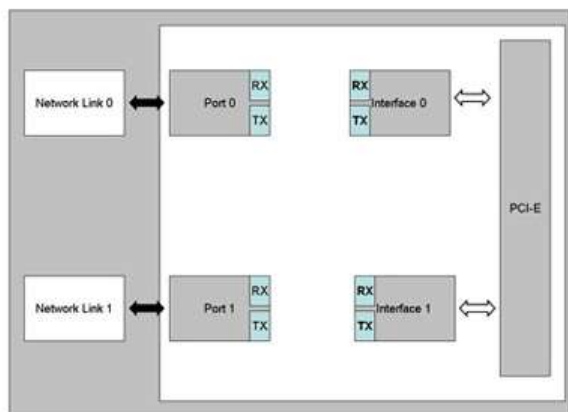
In Bypass mode, the connections of the Ethernet network ports are Disconnected from the interfaces and switched over to the other port to create a crossed connection loop-back between the Ethernet ports. The connections of the interfaces are left not connected. (See Figure 2: one Bypass pair illustrated)

Figure 2: Bypass Mode Functional Block Diagram



In Disconnect mode, the transmit connections of the Ethernet network ports are Disconnected from the interfaces. (See Figure 3: one Bypass pair illustrated)

Figure 3: Disconnect Mode Functional Block Diagram



Silicom's Dual Port Bypass adapter supports software programmable to select Normal, Bypass or Disconnect modes.

Silicom's Dual Port Bypass adapter supports Disable Bypass, Disable Disconnected capabilities; hence, if those adapters receive Disable Bypass capability / Disable Disconnect commands, the adapter does not Bypass / does not Disconnect its Ethernet ports, The Disable Bypass Capabilities are reserved also after power off. This feature enables to emulate a standard NIC.

Silicom's Dual Port Bypass adapter supports Disable supports setting the default mode at power up and power off. Those setting are reserved also after power off.

Order Information

P/N	Description	Notes
PE2G2BPI35A-SD	Dual Port Copper Gigabit Ethernet PCI Express Bypass Server Adapter	X4, Based on Intel NHI350AM2, RoHS compliant

Model P/N -SD

-SD: Side Driver

1V3