

SNR-VG-1000-1S/2S/4S Analog Telephone Adapter User Manual



Address: Ekaterinburg: 620016, Krasnolesya 12a (TC Krasnolesya) 4-th floor

Telephone: +7(343)379 98 38

Email: support@nag.ru

Website: nag.company

Preface

Welcome

Thanks for choosing the **SNR-VG-1000-1S/2S/4S Analog Telephone Adapter for VoIP!** We hope you will make full use of this rich-feature analog telephone adapter (ATA). Contact us if you need any technical support: 86-0755-26456110/112.

About This Manual

This manual provides information about the introduction of the analog telephone adapter, and about how to install, configure or use it. Please read this document carefully before install the ATA.

Intended Audience

This manual is aimed primarily at the following people:

- Users
- Engineers who install, configure and maintain the ATA.

Revision Record

Document Name	Document Version	Firmware Version
SNR-VG-1000-1S/2S/4S Analog Telephone Adapter User Manual V1.0	V1.0 (2018/12/12)	79.19.10.06

Conventions

ATA or device mentioned in this document refers to the SNR-VG-1000-1S, SNR-VG-1000-2S or SNR-VG-1000-4S analog telephone adapter. Those words in red are the contents that users need to pay attention to.

Preface.....	1
1 Product Introduction.....	2
1.1 Overview.....	2
1.2 Application Scenario.....	2
1.3 Product Appearance.....	3
1.4 Features & Functions.....	5
2 Quick Installation.....	8
2.1 Installation Attentions.....	8
2.2 Installation Steps.....	8
2.3 Network Connection.....	8
2.4 Preparations for Login.....	10
3 Basic Operation.....	11
3.1 Methods to Number Dialing.....	11
3.2 Call Holding.....	11
3.3 Call Waiting.....	11
3.4 Call Transfer.....	11
3.5 Function of Flash-hook.....	12
3.6 Description of Feature Code.....	13
3.7 Send or Receive Fax.....	14
3.8 Function of RST Button.....	15
3.9 Query IP Address and Restore Default Setting.....	15
4 Configurations on Web Interface.....	16
4.1 Navigation Tree.....	16
4.2 Status & Statistics.....	16
4.3 Quick Setup Wizard.....	21
4.4 Network.....	21
4.5 SIP Server.....	30
4.6 Port.....	33
4.7 Advanced.....	35
4.8 Call & Routing.....	49
4.9 Manipulation.....	55
4.10 Management.....	60
4.11 Security.....	68
4.12 Tools.....	70
5 Glossary.....	76

1 Product Introduction

1.1 Overview

SNR-VG-1000-1S/2S/4S is a multi-functional analog telephone adapter which offers seamless connectivity between IP-based telephony networks and legacy telephones (POTS), fax machines and PBX systems.

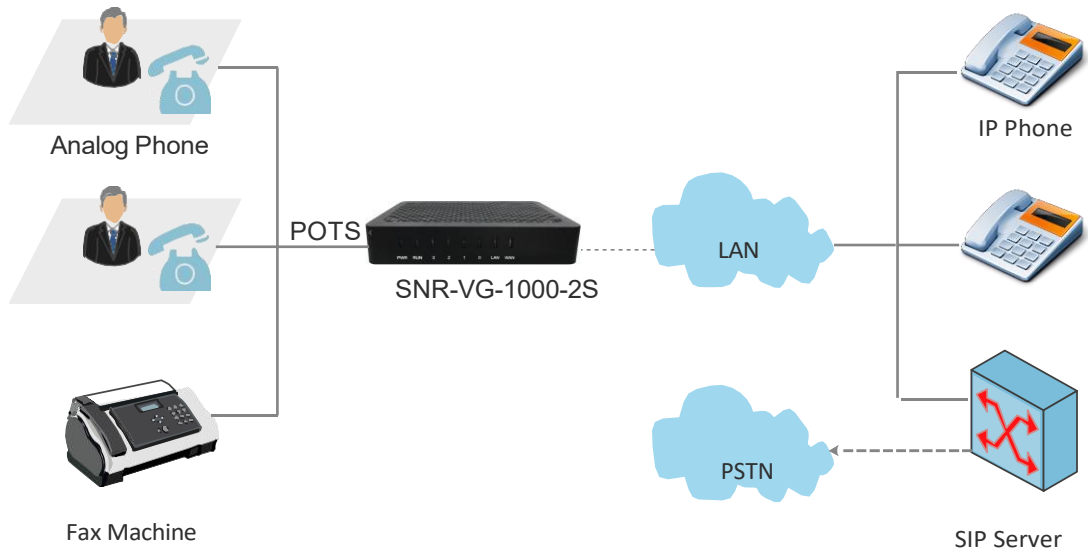
The device provides 1, 2 or 4 FXS port(s), fax over IP and a built-in high-speed NAT router. These powerful features and good voice quality make the device ideal for personal use and suitable for various application environments such as SOHO and small enterprises.

Moreover, with automatic provisioning and centralized management system, the device is easy for maintenance and deployment.

1.2 Application Scenario

The application scenario of SNR-VG-1000-1S/2S/4S analog telephone adapter is shown as follows:

Figure 1-1 Application Scenario of SNR-VG-1000-1S/2S/4S



1.3 Product Appearance

1.3.1 Appearance of SNR-VG-1000-1S

Front View:



Back View:



Table 1-1 Description of Indicators and Interfaces of SNR-VG-1000-1S

Indicator	Definition	Status	Description
PWR	Power Indicator	On	The device is powered on.
		Off	There is no power supply or power supply is abnormal.
RUN	Running Indicator	Slow Flashing	The device is running normally
		Fast Flashing	SIP account is registered successfully
		Off	The device is running improperly
FXS	FXS In-use Indicator	On	FXS port is currently occupied by a call
		Off	FXS port is idle or faulty
WAN/LAN	Network Indicator Link	Green Flashing	The device is properly connected to network
		Off	The device is not connected to network or network connection is improper
RST	Reset Button	Used to reset the gateway to factory default settings. After pressing the reset button, you need to restart the gateway manually.	

1.3.2 Appearance of SNR-VG-1000-2S

Front View:



Back View:



For the description of indicators and interfaces of SNR-VG-1000-2S, please refer to Table 1-1.

1.3.3 Appearance of SNR-VG-1000-4S

Front View:



Back View:



For the description of indicators and interfaces of SNR-VG-1000-4S, please refer to Table 1-1.

1.4 Features & Functions

1.4.1 Key Features

- Cost-effective ATA with 1, 2 or 4 FXS ports
- Fax over IP (T.38 and Pass-Through)
- Support IPv4 and IPv6
- TR069 and SNMP
- Elastix and Broadsoft Certification
- Multiple codecs: G.711A/U, G.723.1, G.729A/B, G.726
- Fully compatible with leading IMS/NGN and SIP-based IP telephony systems

1.4.2 Physical Interfaces

- Telephone Port
SNR-VG-1000-1S: 1 FXS port(RJ11)
SNR-VG-1000-2S: 2 FXS ports(RJ11)
SNR-VG-1000-4S: 4 FXS ports(RJ11)
- Ethernet Interfaces
SNR-VG-1000-1S/2S/4S:
1 WAN, 10/100Mbps (RJ45)
1 LAN, 10/100Mbps (RJ45)

1.4.3 Voice Capabilities & Fax

- Codecs: G.711a/ μ law, G.723.1, G.729A/B, G.726
- Silence Suppression
- Comfort Noise Generator(CNG)
- Voice Activity Detection(VAD)
- Echo Cancellation: G.168 with up to 128ms
- Adaptive (Dynamic) Jitter Buffer
- Hook Flash
- Adjustable Gain Control
- Programmable Gain Control
- FAX: T.38 and Pass-through
- Modem/POS
- DTMF: SIP Info/RFC2833/Inband
- VLAN 802.1P/802.1Q

- Layer 3 QoS and DiffServ

1.4.4 FXS

- FXS Connector: RJ11
- Dial Mode: DTMF and Pulse
- Pulse: 10 and 20 PPS
- Caller ID: DTMF/FSK CLI Presentation
- Max Cable Length: 3km
- Reversed Polarity
- Programmable Call Progress Tone

1.4.5 VoIP

- Protocols: SIP v2.0 (UDP/TCP), RFC3261, SDP, RTP(RFC2833), RFC3262, RFC3263, RFC3264, RFC3265, RFC3515, RFC2976, RFC3311
- RTP/RTCP, RFC2198, RFC1889
- SIP over TLS
- RFC4028 Session Timer
- RFC3266 IPv6 in SDP URI
- RFC 3581 NAT.rport
- Primary/Backup SIP Server
- Outbound Proxy
- DNS SRV/A Query/NATPR Query
- SIP Trunk
- Early Media/Early Answer\
- NAT: STUN, Static/Dynamic NAT

1.4.6 Software Features

- Hunting Group
- Web ACL
- Telnet ACL
- Action URL
- PPPoE/IPv4/IPv6
- Digitmap
- Bandwidth Optimization
- Routing Rules based on Prefixes
- Caller/Called Number Manipulation

1.4.7 Supplementary Services

- Call Waiting and Call Holding
- Call Forwarding (Unconditional/Busy/No Reply)
- Call Transfer (Blind & Attended)
- Warm/Immediately Hotline
- Do-not-disturb
- Three Parties Conversation (3-way Conference)
- Message Waiting Indicator

1.4.8 Environmental

- Power Supply: 12V DC, 1A
- Power Consumption: <5W
- Operating Temperature: 0 °C ~ 45 °C
Storage Temperature: -20 °C ~80 °C
- Humidity: 10%-90% (Non-Condensing)
- Dimensions: 126×76×25mm (W/D/H)
- Unit Weight: <=0.2kg
- Compliance: UL

1.4.9 Maintenance

- SNMP V1/V2/V3
- TR069
- Auto Provisioning (HTTP/FTP/TFTP)
- Web/Telnet
- Configuration Backup/Restore
- Firmware Upgrade via Web
- CDR
- Syslog
- Ping, Tracert Test
- Network Capture
- Outward Test (GR909 Standard)
- NTP/Daylight Saving Time
- IVR Local Maintenance
- Cloud-based Management

2 Quick Installation

2.1 Installation Attentions

To avoid unexpected accident or device damage, please read the following instructions before installing the SNR-VG-1000 device:

- The device accepts DC input voltage of 12V. Please ensure stable and safe power supply;
- To reduce the interference to telephone calls, please separate power cables from telephone lines.
- To guarantee stable running of the device, please make sure that there is enough network bandwidth.
- For better heat dissipation, please place the device on a flat surface and do not pile up with other devices.

2.2 Installation Steps

- Connect the power adapter to the power jack of the SNR-VG-1000 device;
- Connect telephone line to the FXS port(s);
- Connect network cable to the LAN port and WAN port (please refer to 2.3 Network Connection);

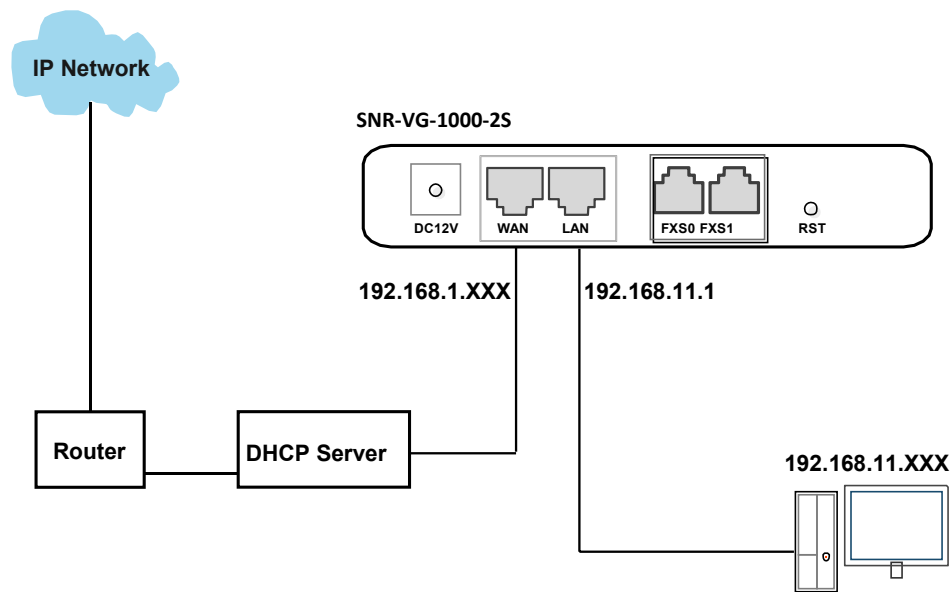
2.3 Network Connection

SNR-VG-1000-1S/2S/4S works in two network modes: route mode and bridge mode. When it is under the route mode, the IP address of WAN port must be at different network segment from that of the LAN port. But when it is under the bridge mode, the IP address of WAN port is the same with that of LAN port.

2.3.1 Network Connection Diagram under Route Mode

Under the route mode, the default IP address of WAN port is a DHCP IP address, while the default IP address of the LAN port is a static IP address, namely 192.168.11.1.

Figure 2-1 Network Connection Diagram under Route Mode

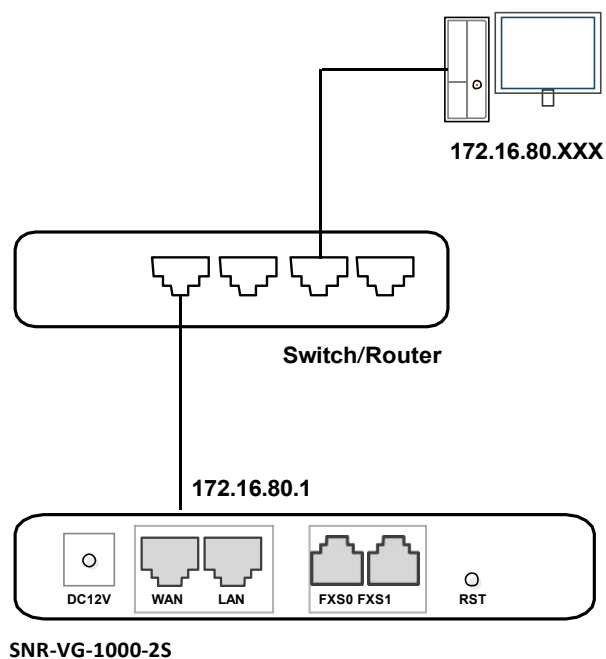


Note: The IP address of LAN port of the SNR-VG-1000 device and the IP address of PC must be at the same network segment, while that of WAN port is at a different network segment.

2.3.2 Network Connection Diagram under Bridge Mode

Under the Bridge mode, the IP address of WAN port is the same with that of LAN port. Generally, when the device works under the bridge mode, the IP address of the device has been modified. In the following diagram, it is assumed that the IP address has been modified into 172.16.80.1.

Figure 2-2 Network Connection Diagram under Bridge Mode



Note: The IP address of PC and that of WAN port of the SNR-VG-1000-1S/2S/4S device are at the same network segment.

2.4 Preparations for Login

Firstly, connect the device to network according to the above network diagrams, and connect a telephone to the FXS port. Then dial *158# to query the IP address of the LAN port (default IP is 192.168.11.1).

Secondly, modify the IP address of the PC to make it at the same network segment with the LAN port of the device.

Thirdly, check the connectivity between the PC and the device. Click **Start** → **Run** of PC and enter **cmd** to execute 'ping 192.168.11.1' to check whether the IP address of LAN port runs normally.

2.4.1 Log In Web Interface

Open a web browser and enter the IP address of LAN port (the default IP is 192.168.11.1). Then the login GUI will be displayed.

You also can enter the IP address of WAN port, but it's required to modify the IP address of PC to make it at the same network segment with WAN port and 'Access Web by WAN' is enabled on the **Advanced** → **System Parameter** page.

It is suggested that you should modify the username and password for security

consideration. Figure 2-3 Login GUI

A screenshot of the Web Login interface. It features a title "Web Login" at the top. Below the title are two input fields: "Username" and "Password". At the bottom right of the form is a blue "Login" button.

Both the default username and password are admin. Click **Login** to enter into the web interface.

3 Basic Operation

3.1 Methods to Number Dialing

There are two methods to dial telephone number or extension number:

- Dial the called number and wait for 4 seconds for dialing timeout, or dial the called number directly (the system will judge whether the dialing is completed according to Digitmap and Regular Expression dialplans).
- Dial the called number and press #.

3.2 Call Holding

If a calling party places a call to a called party which is otherwise engaged, and the called party has the call holding feature enabled, the called party is able to switch to the new incoming call while keeping the current call holding on by dialing *# or pressing the flash button/flash hook.

When the called party dials *# once again or presses the flash button/ flash hook once again, he or she will switch back to the first call.

3.3 Call Waiting

If a calling party places a call to a called party which is otherwise engaged, and the called party has the call waiting feature enabled, the calling party will hear a IVR voice 'Please hold on, the subscriber you dialed is busy' and the called party will hear three beeps if waiting tone is enabled.

By pressing the flash button or the flash hook, the called party is able to switch between the new incoming call and the current call.

3.4 Call Transfer

3.4.1 Blind Transfer

Blind transfer is a call transfer in which the transferring party connects the call to a third party without notifying the third party.

Example: A gives a call to B and B wants to blindly transfer the call to C. Operation instructions are as follows:

1. A dials the extension number of B;
2. The extension of B rings, and B picks up the phone. Then A and B go into conversation;
3. B presses the flash button (or flash hook), and dial *87* after hearing a dialing tone to trigger blind transfer. Then B dials the extension number of C (end up with#).
4. The extension of C rings, B hangs up the phone and C picks up the phone. Then C and A goes into conversation.

Note:

- On the 'Advanced → Feature Code' page, blind transfer should be enabled.
- If B hears continuous busy tones after he dials the extension number of C, it means the call has timed out.

3.4.2 Attended Transfer

Attended transfer is a call transfer in which the transferring party connects the call to a third party after he confirms that the third party agrees to answer the call.

Example: A gives a call to B and B wants to attended transfer the call to C. Operation instructions are as follows:

1. A dials the extension number of B;
2. The extension of B rings, and B picks up the phone. Then A and B go into conversation;
3. B presses the flash button (or flash hook), and then dials the extension number of C (end up with #).

Then one of the following situations will happen:

- a. If C answers the call and accepts the transfer, B will hand up the phone, and then C and A go into conversation.
- b. If the extension of C cannot be reached or if C rejects the call, B needs to press the flash button to resume the call with A.

3.5 Function of Flash-hook

Assume A and B are in a call conversation:

If B presses the flash hook, and then dial the number of C, B and C go into conversation and meanwhile the call between B and A is kept holding.

Then, if B presses the flash hook and dials 1, the conversation will switch back to A and B; if B presses the flash hook and dials 2, the conversation will switch to B and C; if A presses the flash hook and dials 3, the conversation will switch to A, B and C (which is named 'three-way calling').

3.6 Description of Feature Code

SNR-VG-1000-1S/2S/4S provides convenient telephone functions. Connect a telephone to the FXS port and dial a specific feature code, and you can query corresponding information.

Code	Corresponding Function
*159#	Dial *159# to query WAN IP
*158#	Dial *158# to query LAN IP
*114#	Dial *114# to query the phone number of a FXS port
*115#	Dial *115# to query the phone number of a FXS port group
*168#	Dial *168# to query the register status of a FXS port
157	Dial *157*0 to set route mode; dial *157*1 to set bride mode
150	Dial *150*1 to set IP address as static IP address; dial *150*2 to set IP address as DHCP IP address
152	Dial *152* to set IPv4 address, for example: Dial *152*192*168*1*10# to set IPv4 address as 192.168.1.10
156	Dial *156* to set IPv4 gateway, for example: Dial *156*192*168*1*1# to set IPv4 gateway as 192.168.1.1
153	Dial *153* to set IPv4 netmask, for example: Dial *153*255*255*0*0*# to set IPv4 netmask as 255.255.0.0
*170#	Dial *170# to increase the sound volume of a FXS port
*171#	Dial *171# to decrease the sound volume of a FXS port
160	Dial *160*1# to allow HTTP WAN access, Dial *160*0# to deny HTTP WAN access
165	Dial *165*000000# to restore username/password and network configuration to factory defaults
*111#	Dial *111# to restart the device
47	Dial *47* to allow call through IP address, for example: Dial *47*192*168*1*1# to allow to call through the IP address of 192.168.1.1
*51#	Dial *51# to enable the call waiting service
*50#	Dial *50# to disable the call waiting service
87	Dial *87* to trigger blind transfer, for example:

	Dial *87*8000#, and you can blind transfer to the extension number 8000
72	Enable unconditional call forwarding service. Example: Dial *72*8000, and calls will be unconditionally forwarded to extension number 8000
*73#	Disable unconditional call forwarding service
90	Enable the 'call forwarding on busy' service. Example: Dial *90*8000, and calls will be forwarded to extension number 8000 when the called number is busy
*91#	Disable the 'call forwarding on busy' service
92	Enable the 'call forwarding on no reply' service. Example: Dial *92*8000, and calls will be forwarded to extension number 8000 when there is no reply from the called number
*93#	Disable the 'call forwarding on no reply' service
*78#	Enable the 'No Disturbing' service
*79#	Disable the 'No Disturbing' service
*200#	Dial *200# to access voicemail

Note:

A voice prompt indicating successful configuration will be played after each configuration procedure. Please do not hang up the phone until hearing this voice prompt.

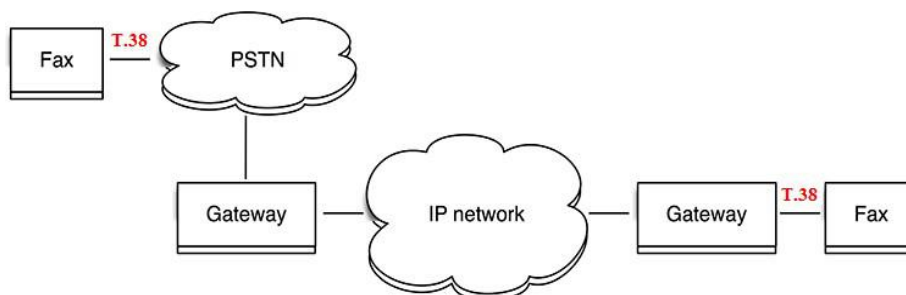
3.7 Send or Receive Fax

3.7.1 Fax Mode Supported

- T.38 (IP-based)
- T.30 (Pass-Through)
- Adaptive Fax Mode (automatically match with the peer fax mode)

3.7.2 Explanation of T.38 and Pass-through

T.38 is an ITU recommendation for allowing transmission of fax over IP networks in real time. Under the T.38 mode, analog fax signal is converted into digital signal and fax signal tone is restored according to the signal of peer device. Under the T.38 mode, fax traffic is carried in T.38 packages.



T 3.0 (Pass-through): Under the pass-through mode, fax signal is not converted and fax traffic is carried in RTP packets. It uses the G.711 A or G711U codec in order to reduce the damage to fax signal.

Adaptive Fax Mode: automatically match with the fax mode of the peer device.

3.8 Function of RST Button

Press the RST button of SNR-VG-1000-1S/2S/4S for a moment, the running indicator will turn from “slow flashing” into “no flashing”, and then turn into “slow flashing” again. That means the device has been restored to factory defaults.

3.9 Query IP Address and Restore Default Setting

Query IP Address:

After connecting a telephone to the FXS port, you can dial *158# to query the IP address of LAN port and dial *159# to query the IP address of WAN port.

Reset Password:

1. On the “Security → Passwords” page of the Web interface, you can reset username and password.
2. You can also reset password through the Cloud platform.
3. Connect a telephone with the SNR-VG-1000 device, and then dial *165*000000# to restore username/password and network configuration to factory defaults.

Restore Device to Default Settings:

1. Connect a telephone with the SNR-VG-1000 device, and then dial *166*000000# to restore all configurations to factory defaults.
2. Press the RST button for a moment, the running indicator will turn from “slow flashing” into “no flashing”, and then become “slow flashing” again. That means all configurations of the device has been restored to factory defaults.
3. On the “Tools → Factory Reset” page of Web interface, click **Apply** to restore the configurations of the device to factory defaults.

4 Configurations on Web Interface

4.1 Navigation Tree

The web management system of the SNR-VG-1000-1S/2S/4S VoIP device consists of the navigation tree and detailed configuration interfaces.

Choose a node of the navigation tree to enter into a detailed configuration

interface. Figure 4-1 Navigation Tree of Web Interface



Note: When the device works under the bridge mode, configuration items including "Routing Configuration" , "DHCP Service", "DMZ Host", "Forward Rules" and "Static Routing" and "ARP" will not be displayed.

4.2 Status & Statistics

The 'Status & Statistics' menu mainly displays all kinds of information. It includes the following sub-menus: System Information, Registration, TCP/UDP Traffic, RTP Session, CDR and Record Statistics.

4.2.1 System Information

On the System Information interface, you can view the information of device ID, MAC address, network mode, IP addresses, version information, sever register status and so on.

Log in the Web interface, and then click **Status & Statistics** → **System Information**, and the following page will be displayed. On the page, you can view the information of device ID, MAC address, network mode, IP addresses, version information, server register status and so on.

Figure 4-2 System Information

System Information			
Device ID	da27-1118-3480-0432		
MAC Address	F8-A0-3D-10-07-24		
Network Mode	Router		
WAN IP Address	0.0.0.0	255.255.255.255	DHCP
	0.0.0.0		
LAN Port	192.168.11.1	255.255.255.0	
DNS Server			
Cloud Register Status	Not Registered		
System Uptime	0h: 12m: 02s		
NTP Status	Failed		
WAN Traffic Statistics	Received 0 bytes	Sent 49346 bytes	
Usage of Flash	90 %(11038720 / 12189696) bytes		
Usage of RAM in Linux	40 %(52051968 / 128684032) bytes		
Usage of RAM in AOS	6 %(4255744 / 67100672) bytes		
Current Software Version	SNR-VG-1000-2S 79.19.10.06 PCB 3 LOGIC 0 BIOS 1, 2019-01-14 16:14:49		
Backup Software Version	SNR-VG-1000-2S 79.19.10.06 PCB 3 LOGIC 0 BIOS 1, 2019-01-14 16:14:49		
DSP Version	MIPS_2_2 Dec 15 2017 17:11:48		
U-BOOT Version	6		
Kernel Version	5		
FS Version	3.0.14		
Hint Language	Russian		

Table 4-1 Explanation of Items on System Information Interface:

Device ID	A unique ID of each device. This ID is used for warranty and cloud server authentication.
MAC address	Hardware address of the WAN port
Network Mode	Network modes include bridge and router. Under the Bridge mode , the device will work as a small LAN switch, and IP addresses of LAN port and WAN port are the same. Under the Route Mode , NAT feature will

	be enabled, IP address of WAN port is at different network segment from that of LAN port.
IP Address	<p>There are three kinds of IP address for the WAN port and LAN port:</p> <p>DHCP: Obtain IP address automatically. SNR-VG-1000 is regarded as a DHCP client, which sends a broadcast request and looks for a DHCP server from the LAN to answer. Then the first discovered DHCP server automatically assigns an IP address to the SNR-VG-1000 from a defined range of numbers.</p> <p>Static IP Address: Static IP address is a semi-permanent IP address and remains associated with a single computer over an extended period of time. This differs from a dynamic IP address, which is assigned <i>ad hoc</i> at the start of each session, normally changing from one session to the next.</p> <p>If you choose static IP address, you need to fill in the following information:</p> <ul style="list-style-type: none"> ● IP Address: the IP address of the WAN port of the SNR-VG-1000; ● Subnet Mask: the netmask of the router connected the SNR-VG-1000; ● Default Gateway: the IP address of the router connected the SNR-VG-1000; <p>PPPoE: PPPoE is an acronym for point-to-point protocol over Ethernet, which relies on two widely accepted standards: PPP and Ethernet. PPPoE is a specification for connecting the users on an Ethernet to the Internet through a common broadband medium, such as a single DSL line, wireless device or cable modem. PPPoE IP address refers to IP address assigned through the PPPoE mode.</p> <p>If you choose PPPoE, you need to fill in to fill in the following information:</p> <ul style="list-style-type: none"> ● Username: the account name of PPPoE ● Password: the password of PPPoE ● Server Name: the name of the server where PPPoE is placed
DNS Server	IP addresses of primary DNS server and standby DNS server are displayed.
Cloud Register Status	Whether the SNR-VG-1000 device is registered to cloud or not.
System Uptime	The running time of the SNR-VG-1000 device since it is powered on.
NTP Status	<p>Succeed: the SNR-VG-1000 device is sync to NTP server successfully;</p> <p>Failed: the SNR-VG-1000 device fails to be sync to NTP server. Then you should check network connection and the NTP server.</p>
WAN Traffic	Total bytes of message received and sent by WAN port.

Statistics	
Usage of Flash	Detailed usage of Flash memory
Usage of RAM in Linux	detailed RAM usage of Linux core
Usage of RAM in AOS	Detailed RAM usage of AOS
Current Software Version	The software version that runs on the SNR-VG-1000 device. Model name, version number and the software development date are displayed.
Backup Software Version	Backup software is for the purpose of backup. When the current software fails, the backup software version will work.
U-boot Version	U-boot version
Kennel version	Linux Kennel version
FS Version	File system version
Hint Language	The current language of the DAG device

4.2.2 Registration

On the **Status & Statistics** → **Registration** page, you can view the registration status of each FXS port or port group.

Figure 4-3 Registration Status of Each FXS Port or Port Group

Port Registration Information			
Port No.	Type	SIP User ID	SIP User Status
0	FXS	056000...	Registered
1	FXS	056001...	Registered

Port Group Registration Information			
Port Group	Port	SIP User ID	SIP User Status
1 <10001>	0,1,...	10001...	Registered

SIP User status:

- ▶ Registered: the port or port group is registered to SIP server successfully;
- ▶ Unregistered: the port or port group fails to be registered to SIP server.

4.2.3 TCP/UDP Statistics

On the **Status & Statistics** → **TCP/UDP Statistics** page, you can view the statistical number of sending or receiving packets over TCP, and the number of sending or receiving packets over UDP since the SNR-VG-1000 device is booted up.

Figure 4-4 TCP/UDP Statistics

TCP/UDP Traffic			
TCP Sent Packets	TCP Recv Packets	UDP Sent Packets	UDP Recv Packets
4139	2963	83598	64298

4.2.4 RTP Session

On the **Status & Statistics** → **RTP Session** page, you can view the real-time RTP session information, including: port, payload type, packet period, local port, peer IP, peer port, sent packets, received packets, lost packets, jitter and duration.

Figure 4-5 Real-time RTP Session Information

RTP Session										
Port	Payload Type	Packet Period	Local Port	Peer IP	Peer Port	Sent Packets	Recv Packets	Lost Packets	Jitter	Duration(s)
2	T.38	20	8008	172.16.95.50	8000	487	273	0	0	27

4.2.5 CDR

CDR (Call Detail Record): is a data record produced by a telephone exchange or a telecommunication device, which contains the details of a telephone call that passes through the device.

On the **Status & Statistic** → **CDR** page, you can enable the CDR function and view the details of all calls through the FXS ports of the SNR-VG-1000 device. You can also export, filter or clear the CDRs. 5000 pieces of CDRs can be saved at most.

Figure 4-6 CDRs of FXS Ports

CDR Report																			
Enable CDR		<input type="radio"/> No <input checked="" type="radio"/> Yes		<input type="button" value="save"/>															
Port		All		Source		Destination													
CDR Oper		<input type="button" value="Export"/>		<input type="button" value="Filter"/>		<input type="button" value="Clear"/>													
Total: 65Item 50Item/Page 1/2Page <input type="button" value="Page1"/>																			
Port	Start Time	Answer Time	Direction	Source	Destination	PeerIP	PeerPort	LocalIP	LocalPort	Codec	FAX	Reason	EndCode	Session State	Duration (s)	RTPSend	RTPRecv	RTP Loss(%)	Jitter(ms)
1	2017/01/03 20:46:21	2017/01/03 20:46:24	CallOut	056001	051000	172.16.95.98	24392	172.16.95.35	8004	PCMU	--	Recv BYE	200	Normal	3	0	0	0	0
1	2017/01/03 19:44:12	00:00:00	CallOut	056001	051000	0.0.0.0	Unknow	172.16.95.35	8004	PCMA	--	Rejected	487	AbNormal	0	0	0	0	0
1	2017/01/03 19:38:39	2017/01/03 19:38:40	CallOut	056001	051000	172.16.95.98	21704	172.16.95.35	8004	PCMU	--	Recv BYE	200	Normal	2	0	0	0	0
1	2017/01/03 19:38:18	2017/01/03 19:38:19	CallOut	056001	051000	172.16.95.98	21704	172.16.95.35	8004	PCMU	--	Recv BYE	200	Normal	2	0	0	0	0

4.2.6 Record Statistics

On the **Status & Statistic** → **Record Statistics** page, record statistics including server status, count of current records, count of no response, count of server return errors, count of record starts, count of record startAck, count of record stops and count of stopAck are displayed.

Figure 4-7 Record Statistics

Record Statistics							
Server Stat	Current Records	No Responses	Server Return Error	Start	StartAck	Stop	StopAck
Not Config	0	0	0	0	0	0	0

No Response Statistics	
Link Dect NoRsp Cnt	0
Start Time Out Cnt	0
Rel Call Before StartAck	0
Stop Time Out Cnt	0

4.3 Quick Setup Wizard

Quick setup wizard guides user to configure the device step by step. User only needs to configure network, SIP server and SIP port in the Quick Setup Wizard interface. Basically, after these three steps, user is able to make voice call via the SNR-VG-1000 device.

For the configurations of network, SIP server and SIP port, please refer to 4.4 , 4.5 and 4.6 .

4.4 Network

4.4.1 Local Network

The SNR-VG-1000-1S/2S/4S device has two kinds of network mode: route and bridge. When the device works under the route mode, it will work as a small router and NAT function is enabled. Under this situation, WAN port is normally connected to router/switch or ADSL MODEM, while LAN port is connected local computer or other network device (such as Ethernet switches, Hubs etc.).

When the device works under the bridge mode, WAN port and LAN port are the same. The device serves as a two-port Ethernet switch. Under this network mode, user only needs to configure the IP address of WAN port and DNS.

Under the route mode, the default IP address of WAN port is a DHCP IP address, while the default IP address of the LAN port is 192.168.11.1.

Figure 4-8 Network Setting under Route Mode

Local Network

Network Mode Route Bridge

WAN Port

Obtain an IP address automatically

Use the following IP address

IP Address

Subnet Mask

Default Gateway

PPPoE

Account

Password

Service Name

WAN MTU

LAN Port

IP Address

Subnet Mask

LAN MTU

DNS Server

Obtain DNS server address automatically

Use the following DNS server address

Primary DNS Server

Secondary DNS Server

There are three kinds of IP address for the WAN port and LAN port:

DHCP: Obtain IP address automatically. SNR-VG-1000 is regarded as a DHCP client, which sends a broadcast request and looks for a DHCP server from the LAN to answer. Then the first discovered DHCP server automatically assigns an IP address to the SNR-VG-1000 from a defined range of numbers.

Static IP Address: Static IP address is a semi-permanent IP address and remains associated with a single computer over an extended period of time. This differs from a dynamic IP address, which is assigned *ad hoc* at the start of each session, normally changing from one session to the next.

If you choose static IP address, you need to fill in the following information:

- IP Address: the IP address of the WAN port of the SNR-VG-1000;
- Subnet Mask: the netmask of the router connected the SNR-VG-1000;
- Default Gateway: the IP address of the router connected the SNR-VG-1000;

PPPoE: PPPoE is an acronym for point-to-point protocol over Ethernet, which relies on two widely accepted standards: PPP and Ethernet. PPPoE is a specification for connecting the users on an Ethernet to the Internet through a common broadband medium, such as a single DSL line, wireless device or cable modem. PPPoE IP address refers to IP address assigned through the PPPoE mode.

If you choose PPPoE, you need to fill in the following information:

- Username: the account name of PPPoE, offered by ISP.
- Password: the password of PPPoE, offered by ISP.
- Server Name: the name of the server where PPPoE is placed, offered by ISP.

Notes:

- If DHCP is selected to obtain IP address, please ensure DHCP server in the network works normally.
- When the device works under the route mode, the IP address of LAN port and that of WAN port cannot be at the same network segment, otherwise the device can't work normally.
- When the device works under the route mode, log in the device's web configuration interface via the LAN port.
- After the configurations are completed, please restart the device for the configurations to take effect.

Figure 4-9 Network Setting under Bridge Mode

The screenshot shows the 'Local Network' configuration page. At the top, 'Local Network' is written in a blue header. Below it, 'Network Mode' has two radio buttons: 'Route' (unselected) and 'Bridge' (selected). Under 'Network Configuration', there are two radio buttons: 'Obtain an IP address automatically' (unselected) and 'Use the following IP address' (selected). To the right of these are input fields for 'IP Address' (172.16.95.35), 'Subnet Mask' (255.255.0.0), and 'Default Gateway' (172.16.1.1). Below these is the 'PPPoE' section with three radio buttons: 'Obtain an IP address automatically' (unselected), 'Use the following IP address' (selected), and 'PPPoE' (unselected). To the right are input fields for 'Account', 'Password', and 'Service Name'. Below that is the 'WAN MTU' section with an input field containing '1400'. At the bottom is the 'DNS Server' section with two radio buttons: 'Obtain DNS server address automatically' (unselected) and 'Use the following DNS server address' (selected). To the right are input fields for 'Primary DNS Server' (8.8.8.8) and 'Secondary DNS Server' (4.4.4.4). A 'Save' button is located at the bottom center of the page.

4.4.2 VLAN (Virtual Local Area Network)

In order to control the impacts brought by broadcast storms, you can divide the local-area network into three VLAN groups, including data VLAN, voice VLAN and management VLAN on the **Network → VLAN** page.

Management VLAN transmits management-related packets, such as packets of SNMP, TR069, Web and Telnet, while voice VLAN transmits the VoIP signals and voices produced by the device itself. Data VLAN transmits data packets.

Figure 4-10 Configure VLAN

Table 4-2 Explanation of VLAN Parameters

VLAN1/VLAN2/VLAN3	The device supports three VLANs at most. Please enable VLAN according to actual needs.
Data/Voice/Management	Select what kind of messages are allowed to go through this VLAN. For example, if the checkbox on the left of data is selected, it means data messages are subject to the following network setting of this VLAN.
802.1Q VLAN ID(0-4095)	Set an ID to identify a VLAN based on 802.1Q protocol. Range is from 0 to 4095.
802.1p Priority(0-7)	Set the priority of a VLAN based on 802.1P protocol. 0 is the highest priority.
Network Setting	Set a DHCP IP address or static IP address for a VLAN, and set the IP address of the DNS server used by the VLAN.

[Note] After the configurations are finished, you need to restart the device for the configurations to take effect.

4.4.3 DHCP Option

When the SNR-VG-1000 device works as a DHCP client and applies for an IP address, DHCP server will return packets which include an IP address as well as configuration information of enabled option fields.

The following is the meaning of the option fields involved in SNR-VG-1000 (that means the following option fields are enabled, DHCP server will return information of corresponding option fields):

- Option 15: to set a DNS suffix;
- Option 42: to specify NTP server;
- Option 60: to define VCI (vendor class identifier) of SNR-VG-1000 on the DHCP server;
- Option 66: to specify TFTP server which will assign software version to SNR-VG-1000;
- Option 120: to fetch SIP server address;
- Option 121: to obtain classless static route. SNR-VG-1000 will add these static routes to the static route table after it fetches them from DHCP server.

Figure 4-11 Configure DHCP Option

DHCP Option	
Option 15 (Domain Name)	<input type="text"/>
Option 42 (NTP Servers)	<input type="checkbox"/> Enable
Option 60 (Class Identifier)	<input type="text" value="SNR-VG-1000-2S 79.19.10.06"/>
Option 66 (TFTP Server)	<input type="checkbox"/> Enable
Option 120 (SIP Server)	<input type="checkbox"/> Enable
Option 121 (Classless Static Route)	<input type="checkbox"/> Enable

Network Interface: choose which VLAN to send request to DHCP server (or to receive information from DHCP server).

4.4.4 QoS

The SNR-VG-1000 device can label QoS priority on the IP messages it sends out, so as to resolve network delay or network congestion. Meanwhile, the device can give different QoS tags for management-related packets of Web/Telnet, voice packets and signal packets.

Figure 4-12 Qos

Qos

DSCP code point is used for diffserv setting. It utilizes the first 6 bits of IP ToS. The default values are EF(184), AF1(1), AF2(2), AF3(3), AF4(4), BE(0). You can use different DSCPs for voice or data based on the network provider.

Set DSCP Code/IP ToS Enable

Manage(WEB/Telnet):

Voice Packet:

Signal Packet:

4.4.5 LAN Qos

The LAN Qos function gives network ports three priorities (namely low, middle and high), and allows you to limit the network speed of the ports.

Figure 4-13 LAN Qos

LAN Qos

LAN Qos Enable

Port	Priority	Flow Control	Incoming Rate Limit	Outgoing Rate Limit
LAN	Low	<input type="checkbox"/>	64 kbps	64 kbps
WAN	Low	<input type="checkbox"/>	64 kbps	64 kbps

4.4.6 DHCP Server (Route Mode)

When the SNR-VG-1000 device works under the route mode, it works as a small router and you can use its DHCP service (the device serves as a DHCP server) in the network.

- ▶ “Start address” and “end address” of the address pool determine the range of IP addresses which are automatically assigned to other network equipment by SNR-VG-1000.
- ▶ “IP Expire Time” means the service time of an assigned IP address. When the service time expires, the IP address will no longer be used by network equipment.
- ▶ Subnet mask, default gateway, DNS server will be transmitted to network equipment through the DHCP protocol. Generally, they are the same with those of the SNR-VG-1000 device.

Figure 4-14 Configure DHCP Server

The screenshot shows the 'DHCP Server Config' web interface. It features a table with configuration fields and a 'Save' button below. The fields are as follows:

Field	Value
DHCP Server	<input checked="" type="checkbox"/> Enable
IP Pool Starting Address	192.168.11.100
IP Pool Ending Address	192.168.11.199
IP Expire Time	72 h
Subnet Mask (Optional)	255.255.255.0
Default Gateway (Optional)	192.168.11.1
Primary DNS Server (Optional)	192.168.11.1
Secondary DNS Server (Optional)	

Save

【 Note 】 : When configuring the start IP address, end IP address, subnet mask and gateway IP address, please set them at the same network segment with the IP address of LAN port of the SNR-VG-1000 device. Otherwise, other devices under the network will not work normally after they get the IP address assigned by the DHCP server. After the configurations are finished, please restart the SNR-VG-1000 device for the configurations to take effect.

4.4.7 DMZ Host (Route Mode)

If the DMZ service is enabled, the devices in the same wide-area network with WAN port of SNR-VG-1000 are allowed to visit the devices in the DMZ (demilitarized zone). In this way, devices in the wide-area network can visit the devices which are in the local-area network and meanwhile the devices in the local-area network are protected.

Figure 4-15 Configure DMZ Host IP Address

The screenshot shows the 'DMZ Host' web interface. It features a single configuration field and an 'Enable' checkbox, with a 'Save' button below.

DMZ Host IP Address	<input type="text"/>	<input type="checkbox"/> Enable
---------------------	----------------------	---------------------------------

Save

【 Note 】: The IP address of the DMZ host needs to be at the same network segment with LAN port; after the configurations are finished, please restart the SNR-VG-1000 device for the configurations to take effect.

4.4.8 Forward Rule (Route Mode)

Sometimes, a device under the same LAN network with SNR-VG-1000 needs to provide a port for communication with the WAN network (such as providing the port 21 for FTP service). In those cases, user can configure forwarding rules for that device.

Figure 4-16 Configure Forwarding Rules

ID	Server Port	IP Address	Protocol	Enable
1	21	192.168.11.23	TCP	<input type="checkbox"/>
2			TCP	<input type="checkbox"/>
3			TCP	<input type="checkbox"/>
4			TCP	<input type="checkbox"/>
5			TCP	<input type="checkbox"/>
6			TCP	<input type="checkbox"/>
7			TCP	<input type="checkbox"/>
8			TCP	<input type="checkbox"/>

Table 4-3 Parameter Explanation of Forwarding Rule

ID	The ID of the forwarding rule
Service Port	the port that provides service for the WAN network
IP Address	the IP address of the network device under the LAN network, which provides service for the WAN network
Protocol	TCP or UDP
Enable	Choose whether to enable the forwarding rule

The different between forwarding rule and DMZ host is that DMZ Host offers all ports (0-1024) and protocols for outside telecommunication, while forwarding rule only offers a single port or several ports and TCP/UDP protocol.

[Note] When both DMZ Host and forwarding rule are configured, the configuration of forwarding rule is prior to that of DMZ Host.

4.4.9 Static Route (Route Mode)

Static route determines the routing rule during the handling of messages by the SNR-VG-1000 device. Generally, you do not need to configure static route. Only when there are multiple

network segments in the LAN network and these segments need to complete some specific applications, you need to configure static route.

Figure 4-17 Configure Static Route

Static Route Table				
ID	Dest. IP Address	Subnet Mask	Nexthop	Enable
1	<input type="text"/>	<input type="text"/>	<input type="text"/>	<input type="checkbox"/>
2	<input type="text"/>	<input type="text"/>	<input type="text"/>	<input type="checkbox"/>
3	<input type="text"/>	<input type="text"/>	<input type="text"/>	<input type="checkbox"/>
4	<input type="text"/>	<input type="text"/>	<input type="text"/>	<input type="checkbox"/>
5	<input type="text"/>	<input type="text"/>	<input type="text"/>	<input type="checkbox"/>
6	<input type="text"/>	<input type="text"/>	<input type="text"/>	<input type="checkbox"/>
7	<input type="text"/>	<input type="text"/>	<input type="text"/>	<input type="checkbox"/>
8	<input type="text"/>	<input type="text"/>	<input type="text"/>	<input type="checkbox"/>

[Note]: If static route is wrongly configured, the SNR-VG-1000 device may not work normally, so it's advised not to configure static route unless there are actual needs.

4.4.10 Firewall (Route Mode)

When the SNR-VG-1000 device works under the route mode, the firewall function can help filter some IP addresses, mac addresses and domain names.

Figure 4-18 Filter IP Address, Mac Address and Domain Name

IP Filter Enable

ID	Source IP	Source Port	Destination IP	Destination Port	Protocol	Status
---	---	---	---	---	---	---

MAC Filter Enable

ID	MAC	Describe	Status
---	---	---	---

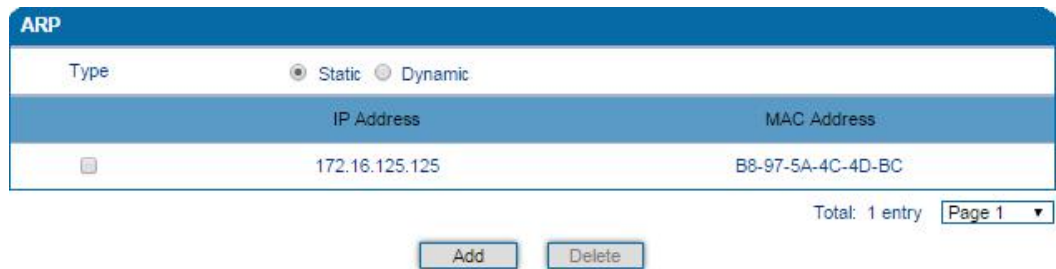
Domain Filter Enable

ID	Domain	Status
---	---	---

4.4.11 ARP

ARP is address resolution protocol, which helps to get the MAC address of a device through its IP address. Under TCP/IP network environment, each host is assigned with a 32-bit IP address, but MAC address needs to be known for message transmission in the physical network. In the above case, ARP can help convert IP address into MAC address.

Figure 4-19 ARP



ARP		
Type	<input checked="" type="radio"/> Static <input type="radio"/> Dynamic	
	IP Address	MAC Address
<input type="checkbox"/>	172.16.125.125	B8-97-5A-4C-4D-BC

Total: 1 entry Page 1

4.5 SIP Server

SIP server is the main component of VoIP network and is responsible for establishing all SIP calls. SIP server is also called SIP proxy server or register server. Both IPPBX and softswitch can act as the role of SIP server.

Figure 4-20 Configure SIP Server Information

SIP Server

Primary SIP Server

Primary SIP Server Address

Primary SIP Server Port (Default: 5060)

Registration Expires (Default: 300) s

Heartbeat Enable

Secondary SIP Server

Secondary SIP Server Address

Secondary SIP Server Port (Default: 5060)

Registration Expires (Default: 300) s

Heartbeat Enable

Primary Outbound Proxy

Primary Outbound Proxy Address

Primary Outbound Proxy Port

Secondary Outbound Proxy

Secondary Outbound Proxy Address

Secondary Outbound Proxy Port

Registration

Retry Interval when Registration failed s

Registration Limit (counts/time, time: 0 means unlimited) / s

Send SIP Unregistration Request when the Device Restart Enable

SIP Transport Type

Local SIP Port

Use Random Port Enable

SIP UDP/TCP Local Port

SIP TLS Local Port

Table 4-4 Parameter Explanation of SIP Server

Primary SIP Server Address	The IP address or domain name of the primary SIP server. It is provided by VoIP service provider.
Primary SIP Server port	The service port of the primary SIP server. It is 5060 by default.

Registration Expires	It is used to avoid excessively frequent registrations. When the time that is set expires, the SNR-VG-1000 device will send register request to the primary SIP server. The time is 300s by default.
Heartbeat	Heartbeat is used to check the connection between the SNR-VG-1000 device and SIP server.
Secondary SIP Server address	The IP address or domain name of the backup SIP server. It is provided by VoIP service provider.
Secondary SIP Server port	Service port of the backup SIP server. It is 5060 by default.
Registration Expires	It is used to avoid excessively frequent registrations. When the time that is set expires, the SNR-VG-1000 device will send register request to the backup SIP server. The time is 300s by default.
Secondary SIP heartbeat	Heartbeat is used to check the connection between the SNR-VG-1000 device and SIP server.
Outbound Proxy Address	The IP address or domain name of outbound proxy server, which is provided by VoIP service provider.
Outbound Proxy Port	Service port of outbound proxy server. It is 5060 by default.
Retry Interval when Registration failed	The retry interval after a registration fails. Default: 30s
Registration times per second	The maximum number of registrations in a second. 0 means no limitation for registrations.
SIP Transport Type	The way of SIP-based transmission. It can be UDP, TCP, TLS or Automatic. Default: UDP.
Use Random Port	If this parameter is selected, the local port of the SNR-VG-1000 device for using SIP services is chosen by random.
SIP UDP/TCP Local Port	The UDP/TCP port of SNR-VG-1000 device for using SIP services. Default SIP UDP/TCP local is 5060.
SIP TLS Local Port	The TLS port of SNR-VG-1000 device for using SIP services. Default SIP TLS local port is 5061.

Usually, SIP server does not participate in media processing. Under SIP network, media always use end-to-end negotiating. Simple SIP server is only responsible for the establishment, maintenance and cleaning of sessions, while relatively-complex SIP server (SIP PBX) not only provides basic calling and conversational support, but also offers rich services such as Presence, Find-me and Music On Hold.

SIP server based on Linux platform, such as: OpenSER、sipXecx、VoS、Mera etc.
 SIP server based on windows platform, such as :mini SipServer、Brekeke、VoIPswitch etc.
 Carrier-grade soft switch platform, such as Cisco, Huawei, ZTE etc.

4.6 Port

A unique SIP account used for registration can be configured for each FXS port of SNR-VG-1000 device. Parameters of the SIP account include port number, whether to register, primary display name, primary SIP user ID, primary Authenticate ID, primary Authenticate password, off-hook auto-dial number, caller ID and so on.

Figure 4-21 Configure SIP Account for Port Registration

Port Add

Port	1 ▼
Disable Port	<input type="checkbox"/>
Registration	<input checked="" type="checkbox"/> Enable
IP Profile	0 <default> ▼
Tel Profile	0 <default> ▼
Display Name	<input type="text"/>
SIP User ID	<input type="text"/>
Authenticate ID	<input type="text"/>
Authenticate Password	<input type="text"/>
Offhook Auto-Dial	<input type="text"/>
Auto-Dial Delay Time	<input type="text"/> s
DND(Do Not Disturb)	<input type="checkbox"/> Enable
Caller-ID	<input checked="" type="checkbox"/> Enable
Number for CFU(Call Forwarding Unconditional)	<input type="text"/>
Number for CFB(Call Forwarding Busy)	<input type="text"/>
Number for CFNRy(Call Forwarding No Reply)	<input type="text"/>
Call Waiting	<input type="checkbox"/> Enable
Play Call Waiting Tone	<input type="checkbox"/> Enable
Call Waiting Send CID	<input type="checkbox"/> Enable

Table 4-5 Explanation of Parameters Related to SIP Registration

Port	The FXS port corresponding to this account
Disable port	Whether to disable port temporarily
Registration	Whether to enable registration for the port
Primary /Secondary SIP Display Name	Description of primary /secondary SIP account. It is used to identify the SIP account.
Primary /Secondary SIP User ID	User ID of the SIP account, which is provided by VoIP service provider (ITSP) for registration. Usually it is in the form of digits similar to phone number or an actual phone number.
Primary/Secondary SIP Authenticate ID	SIP service subscriber's authenticate ID used for authentication of registration. It can be identical to or different from SIP User ID.
Primary/Secondary Authenticate password	SIP service subscriber's authenticate ID used for authentication of registration
Offhook Auto-dial	An extension or phone number is pre-assigned here so that the number is automatically dialed as soon as user picks up the phone
Auto-dial Delay Time	How long the auto-dial number is prolonged. If it is set as 3s, the auto-dial number is dialed after 3 seconds pass.
DND (Do Not Disturb)	the phone won't receive any calls if this feature is enabled
Caller ID	Enable or disable caller ID for corresponding port. If it is disabled, the caller ID for the calls through the port won't be displayed.
Number for CFU	Call forward unconditional. All incoming calls will be forwarded to pre-assigned number automatically
Number for CFB	Call forward on busy. If the line is busy, the call will be forwarded to pre-assigned number automatically
Number for CFNRy	Call forward no reply. If the call is not answered, the call will be forwarded to pre-assigned number automatically
Call Waiting	If call waiting is enabled, a special tone is sent if another caller tries to reach you
Play Call Waiting Tone	If call waiting tone is enabled, caller will hear special tone.

4.7 Advanced

4.7.1 FXS Parameter

On the **Advanced** → **FXS/FXO** page, you can configure FXS parameters which include timeout for dialing, timeout for answer, call progress tone, auto gain control, send polarity reversal, detect hook flash, CID type and so on.

Figure 4-22 Configure FXS Parameters

FXS / FXO

Timeout for Dialing	<input type="text" value="4"/>	s
Timeout for Answer(Outgoing Call)	<input type="text" value="55"/>	s
Timeout for Answer(Incoming Call)	<input type="text" value="55"/>	s
No RTP Detected	<input type="checkbox"/> Enable	
Period without RTP Packet	<input type="text" value="60"/>	s
Call Progress Tone	<input type="text" value="USA"/>	
Ring Back Tone	<input type="text" value="440,260,480,260,2000,4000,0,0"/>	
Busy Tone	<input type="text" value="480,260,620,260,500,500,0,0"/>	
Dial Tone	<input type="text" value="350,260,440,260,0,0,0,0"/>	
Auto Gain Control	<input type="checkbox"/> Enable	
Line Parameter		
Port	<input type="text" value="Please Select Port"/>	
Work Mode	<input type="text" value=""/>	
Voice Output Mode	<input checked="" type="radio"/> Telephone <input type="radio"/> Headset	
Config Mode(Gain)	<input checked="" type="radio"/> Basic <input type="radio"/> Advanced	
Tx Gain	<input type="text" value="Middle"/>	
Rx Gain	<input type="text" value="Middle"/>	
FXS Parameter		
Send Polarity Reversal	<input type="checkbox"/> Enable	
Detect Hook Flash	<input checked="" type="checkbox"/> Enable	
Min Time	<input type="text" value="100"/>	ms
Max Time	<input type="text" value="400"/>	ms
CID Type	<input type="text" value="FSK"/>	
Modulation Type	<input type="text" value="BFSK Bel202"/>	
Message Type	<input type="text" value="MDMF"/>	
Message Format	<input type="text" value="Display Name and CID"/>	
Send CID before Ringing	<input type="checkbox"/> Enable	
Delay of Sending CID after Ringing	<input type="text" value="500"/>	ms
CFNRy Timeout	<input type="text" value="33"/>	s
SLIC Setting	<input type="text" value="600 Ohm"/>	
REN	<input type="text" value="4"/>	
Long Line Support	<input type="checkbox"/> Enable	

Table 4-6 Explanation of FXS Parameters

Timeout for dialing	With the help of dialing timeout, you can limit the time between two digits while users are typing the digits of a number through an extension. If the timeout expires, the device will consider the dialing has finished and will try to send message to SIP server. Default value is 4 seconds.
Timeout for answer(Outgoing call)	This parameter determines how long the caller party will wait for answer when making outgoing calls through a phone.
Timeout for answer(Incoming call)	This parameter determines how long the phone rings when there are incoming calls
No RTP Detected	If this parameter is enabled, the situation will be detected when there is no RTP packets received during the set time period.
Period without RTP Packet	The time period when there is no RTP packets received.
Call Process Tone	The signal tone standard after a phone is picked up. Choose national standards from the drop-down box. Default value is USA.
Auto Gain Control	Whether to enable automatic gain control
Send Polarity Reversal	If polarity reversal is enabled, call tolls will be calculated based on the changes in voltage. If polarity reverse is disabled, you need to set the time for offhook detection and call tolls will be calculated starting from the set time.
Detect Hook flash	If 'Detect Hook Flash' is enabled, you need to set a minimum time and a maximum time. If a phone's hook flash is pressed for a time period greater than the set minimum time but less than the maximum time, the action is considered as a 'hook flash' operation. If a phone's hook flash is pressed for more the set maximum time, the action is considered as 'hang up the phone'.
CID Type	There are two CID types, namely DTMF and FSK.
Message Type	There are two call display types including SDMF and MDMF
Message Format	The call display format in analog phone. It can be "Display Name and CID", "CID only", or "Display Name only"; default value is "Display Name and CID"
Send CID before Ringing	If this parameter is enabled, the device send Caller ID to phone before ringing, otherwise the caller ID will be displayed after ringing.
Delay of sending CID after Ringing	The time how long the caller ID will be delayed when the caller ID is set to be displayed after ringing. Default value is 500ms.
CFNRy Timeout	Timeout for 'call forwarding on no answer' service

SLIC Setting	Impedance matched with analog phone.
REN	The maximum number of extensions that can be connected to a single FXS port. If this parameter is configured, you need to restart the device for the configuration to take effect.
Long Line Support	Whether to enable 'Long Analog Extension Line'.

4.7.2 Media Parameter

Media parameters mainly include RTP start port, DTMF parameter, preferred Vocoder, etc.

Figure 4-23 Configure Media Parameters

Media Parameter

Use Random Port Enable

RTP Start Port

UDP Checksum Validation Enable

DTMF Parameter

DTMF Method

RFC2833 Payload Type Preferred(Incoming Call)

RFC2833 Payload Type

DTMF Gain

DTMF Send Interval ms

Send Flash Event Enable

Send DTMF Tone to Analog When Call in Active Enable

Preferred Vocoder

	Coder Name	Payload Type	Packetization Time(ms)	Rate(kbps)	Silence Suppression
1st	<input type="text" value="G.711U"/>	<input type="text" value="0"/>	<input type="text" value="20"/>	<input type="text" value="64"/>	<input type="text" value="Disable"/>
2nd	<input type="text" value="G.711A"/>	<input type="text" value="8"/>	<input type="text" value="20"/>	<input type="text" value="64"/>	<input type="text" value="Disable"/>
3rd	<input type="text" value="G.729"/>	<input type="text" value="18"/>	<input type="text" value="20"/>	<input type="text" value="8"/>	<input type="text" value="Disable"/>
4th	<input type="text" value="G.723"/>	<input type="text" value="4"/>	<input type="text" value="30"/>	<input type="text" value="63"/>	<input type="text" value="Disable"/>
5th	<input type="text" value="G.726-16"/>	<input type="text" value="111"/>	<input type="text" value="20"/>	<input type="text" value="16"/>	<input type="text" value="Disable"/>
6th	<input type="text" value="G.726-24"/>	<input type="text" value="111"/>	<input type="text" value="20"/>	<input type="text" value="24"/>	<input type="text" value="Disable"/>
7th	<input type="text" value="G.726-32"/>	<input type="text" value="109"/>	<input type="text" value="20"/>	<input type="text" value="32"/>	<input type="text" value="Disable"/>
8th	<input type="text" value="G.726-40"/>	<input type="text" value="108"/>	<input type="text" value="20"/>	<input type="text" value="40"/>	<input type="text" value="Disable"/>

Codecs Preferred

Table 4-7 Explanation of Media Parameters

Use Random Port	If this parameter is enabled, the SNR-VG-1000 device will choose a port by random as the start port for RTP.
RTP Start Port	When 'Use Random Port' is not selected, you need to configure

	a start port for RTP. Default RTP start port is 8000
UDP Checksum Validation	Choose whether to enable header checksum of UDP
DTMF Method	Include SINGAL, INBAND and RFC2833
RFC2833 Payload Type Preferred (Incoming Call)	For an incoming call, choose local or remote RFC2833 payload type as the preferred payload type
RFC2833 Payload Type	Local payload value, default value is 101
DTMF Gain	Default value is 0 DB
DTMF Send Interval	The interval for sending DTMF signal. The default value is 200ms.
Send Flash Event	If this parameter is enabled, the SNR-VG-1000 device will send flash-hook event to remote terminal, and thus user does not need to handle it locally
Send DTMF Tone to Analog When Call in Active	If this parameter is enabled, DTMF tone will be sent to analog phone when there is a call
Coder Name	The device supports G.729, G.711U, G.711A, G.723, G.726-16/24/32/40. When outgoing calls are made, G.729 will be used.
Payload Type	Each kind of coding has a unique load value, refer to RFC3551.
Packetization Time	The time for voice packaging
Rate	Voice data flow rate; It is defaulted by system.
Silence Suppression	Default value is 'disabled'. If this parameter is enabled, VoIP transmission bandwidth can be saved, and meanwhile network congestion can be avoided.
Codecs Preferred	Choose local or remote codec as the preferred codec

4.7.3 SIP Parameter

SIP parameters include subscriber for MWI, voicemail user ID, IP-to-IP call, anonymous call, call confirm tone, call waiting response code, caller-ID preferred, attended transfer trigger, early media, session timer, heartbeat interval and so on.

Figure 4-24 Configure Voicemail Parameter

SUBSCRIBE for MWI(Message Waiting Indicator)	<input checked="" type="checkbox"/> Enable
MWI Subscription Expires(Default: 3600)	<input type="text" value="3600"/> s
Voicemail User ID	<input type="text"/>
Visual MWI Type	<input type="text" value="NEON"/>

Table 4-8 Explanation of Voicemail Parameters

SUBSCRIBE for MWI (Message Waiting Indicator)	MWI is aimed to notify user that there is new voicemail. It is realized in the way of NOTIFY.
MWI Subscription Expires	The expiry time of MWI subscription; Default value is 3600s.
Voicemail User ID	The user ID used to access to voicemail
Visual MWI Type	There are two visual MWI Type, namely NEON and FSK

Figure 4-25 Configure SIP Parameters

RFC3407 Support	<input type="checkbox"/> Enable
IP-to-IP Call	<input checked="" type="checkbox"/> Enable
URI includes "user=phone"	<input type="checkbox"/> Enable
INVITE with "P-Preferred-Identity" Header (RFC3325)	<input type="checkbox"/> Enable
Only Accept Calls from ACL(SIP Server or IP Trunk)	<input type="checkbox"/> Enable
Anonymous Call	<input type="checkbox"/> Enable
Reject Anonymous Call	<input type="checkbox"/> Enable
# as Ending Dial Key	<input checked="" type="checkbox"/> Enable
# Escape	<input type="checkbox"/> Enable
Send # when First Dial Number is **	<input checked="" type="checkbox"/> Enable
Value of "Refer To" refers to "Contact"	<input type="checkbox"/> Enable
Third Party Do Not Send 18x Response	<input type="checkbox"/> Enable
REFER Delay	<input type="checkbox"/> Enable
Send BYE when Recv REFER Response(Unattended)	<input type="checkbox"/> Enable
Send New REGISTER when Recv 423 Response	<input checked="" type="checkbox"/> Enable
Cseq Start with 1	<input type="checkbox"/> Enable
Forbid Invalid m=line in reINVITE	<input type="checkbox"/> Enable
Call Confirm Tone	<input type="checkbox"/> Enable
Call Waiting Response Code	<input type="text" value="180 Response"/>
RTP Mode in SDP when Call Holding	<input type="text" value="sendonly"/>
Support Call Waiting of Huawei IPPBX	<input type="checkbox"/> Enable
Accept Orphan 200 Ok	<input type="checkbox"/> Enable
Called Number Preferred	<input type="text" value="P-Called-Party-ID Header"/>
Caller-ID Preferred	<input type="text" value="P-Asserted-Identity Header"/>
Report SDP Whatever	<input type="checkbox"/> Enable
18x Response Preferred	<input type="text" value="18x Response with SDP"/>
FlashHook Operation Mode	<input type="text" value="Mode one"/>
Attended Transfer Trigger	<input type="text" value="Onhook"/>

Table 4-9 Explanation of SIP Parameters

RFC3407 Support	Whether to enable RFC3407 support. If this parameter is enabled, the device will support RFC3407 which defines the SDP capability of backward compatibility.
IP-to-IP Call	If this parameter is enabled, user can dial IP address through a phone to call destination gateway.
URI Includes “user=phone”	If this parameter is enabled, ‘user=phone’ will be contained in URI. When calls are routed to PSTN network, the called number will be got from user name. Default value is ‘not enable’.
INVITE with “P-Preferred-Identity” Header (RFC3325)	If this parameter is enabled, “P-Preferred-Identity” header will be added in INVITE message for anonymous call (Support RFC3325).
Only Accept Call from ACL (SIP server or IP Trunk)	If this parameter is enabled, the device only accepts incoming call from SIP server only. Default value is ‘not enable’.
Anonymous Call	If this parameter is enabled, ‘anonymous’ will be included in SIP message.
Reject Anonymous Call	If this parameter is enabled, all anonymous calls will be rejected. Default value is ‘not disable’.
# as ending Dial Key	If this parameter is enabled, ‘#’ is used as the end mark for dialing.
# Escape	If this parameter is enabled, ‘#’ is considered as a digit of the number that is dialed.
Send ‘#’ when First Dial Number is ‘*’	If this parameter is enabled, ‘#’ will be sent when first dialed digit is ‘*’.
Value of “Refer To” refers to “Contact”	If this parameter is enabled, ‘contract header’ needs to be filled in in the ‘refer to’ field of a SIP message.
Third Party Do Not Send 18x Response	If this parameter is enabled, the third party will not send 18x response during an attended transfer.
Send BYE when Recv REFER Response (Unattended)	If this parameter is enabled, the third party will send BYE to release session after receiving REFER during a blind transfer.
Send New REGISTER when Recv 423 Response	If this parameter is enabled, the value of ‘expires’ header will be automatically updated and REGISTER will be re-sent after receiving of 423 response.
CSeq Start with 1	If this parameter is enabled, the value of CSeq starts with ‘1’.

Forbid Invalid m=line in reINVITE	If this parameter is enabled, the device will prevent 'invalid m=line' from being carried in the SDP of re-INVITE.
Call Confirm Tone	If this parameter is enabled, ring-back tone will be played when a call does not receive 180x response.
Call Waiting Response Code	User can choose 180 or 182 as call waiting response code
RTP Mode in SDP when Call Holding	Use 'send only' or 'inactive' as RTP mode during call holding.
Support Call Waiting of Huawei IPPBX	If this parameter is enabled, the device will support call waiting of Huawei IPPBX.
Accept Orphan 200 OK	If this parameter is enabled, the SNR-VG-1000 device will support different 'to-tag 200 OK' in an INVITE session.
Called Number Preferred	Choose P-Called-Party-ID header or Request-Line
Caller-ID Preferred	Choose P-Asserted-Identity header or From Header
Report SDP Whatever	If this parameter is enabled, SDP will be reported anytime
18x Response Preferred	Choose '18x Response with SDP', 'Last 18x Response' or 'Local Ring Tone Only'
Flashhook Operation Mode	Choose Mode one, Mode two or Mode three
Attended Transfer Trigger	Choose 'Onhook' or 'Flashhook +4'

Figure 4-26 Configure Default SIP Parameters & Early Media

Domain Query Type	<input type="text" value="A Query"/>
DNS Cache	<input checked="" type="checkbox"/> Enable
Domain Re-resolution Interval(0-3600,0:No Refresh)	<input type="text" value="0"/> s
PRACK(RFC3262)	<input type="checkbox"/> Enable
PRACK Only for 18x with SDP	<input type="checkbox"/> Enable
Early Media	<input checked="" type="checkbox"/> Enable
Early Answer	<input type="checkbox"/> Enable
Answer Update without Offer(For Port Group)	<input type="checkbox"/> Enable
Session Timer(RFC4028)	<input type="checkbox"/> Enable
Session-Expires	<input type="text" value="1800"/> s
Min-SE	<input type="text" value="1800"/> s
Session Refresh Method	<input type="text" value="INVITE"/>

Table 4-10 Explanation of Default SIP Parameters & Early Media Parameters

Domain Query Type	There are two modes: A QUERY and SRV QUERY. Default is 'A QUERY'.
Domain Re-resolution Interval	The interval for re-parsing domain name. Range is from 0 to 3600s. Default value is 0, which means no re-parsing.
DNS cache	If this parameter is enabled, the SNR-VG-1000 device will cache the DNS query results.
PRACK(RFC3262)	If this parameter is enabled, the SNR-VG-1000 device supports reliable transmission of provisional response
PRACK Only for 18x with SDP	If this parameter is enabled, only PRACK will be sent when there's SDP in 18x response
Early Media	If this parameter is enabled, the SNR-VG-1000 device supports the receiving of Early Media.
Early Answer	If this parameter is enabled, the SNR-VG-1000 device supports early answer
Answer Update without Offer (for Port Group)	If this parameter is enabled, the system will update answer proactively although no offer is received.
Session Timer (RFC4028)	Whether to enable 'session timer', default value is 'not enable'.
Session-Expires	The interval for refreshing session; default value is 1800s. The Session-Expires header field conveys the session interval for a SIP session.
Min-SE	The minimum interval for refreshing session; default value is 1800s. The Min-SE header field indicates the minimum value for the session interval.
Session Refresh Method	The method to refresh session; default value is INVITE.

Figure 4-27 Configure Timer in SIP Protocol

T1	<input type="text" value="500"/>	ms
T2	<input type="text" value="4000"/>	ms
T4	<input type="text" value="5000"/>	ms
Max Timeout	<input type="text" value="32000"/>	ms
Heartbeat Interval(1 - 3600)	<input type="text" value="10"/>	s
Heartbeat Timeout(4 - (64*T1-1))	<input type="text" value="16"/>	s
Username of OPTION(Heartbeat) for 'SIP Server'	<input type="text" value="heartbeat"/>	
Username of OPTION(Heartbeat) for 'IP Trunk'	<input type="text" value="heartbeato"/>	
Release all call when Heartbeat Timeout	<input type="checkbox"/>	Enable
Request/Response Message Configuration		
Via of Message	<input type="text" value="LAN Address"/>	

Table 4-11 Explanation of Timer Parameters in SIP Protocol

T1	Value of T1 timer in SIP protocol, default is 500ms
T2	Value of T2 timer in SIP protocol, default is 4000ms
T4	Value of T4 timer in SIP protocol, default is 5000ms
Max Timeout	The max timeout of sending or receiving SIP messages, default is 32000ms
Heartbeat Interval	The interval for sending heartbeat message, Default is 10s.
Heartbeat Timeout	The timeout for heartbeat message to be sent, default to 16s
Username of OPTION(Heartbeat) for "SIP Server"	The user ID part of OPTION SIP message in the heartbeat request for SIP server
Username of OPTION(Heartbeat) for "IP TRUNK"	The user ID part of OPTION SIP message in the heartbeat request for IP trunk
Via of Request/Response Message	Choose 'LAN address' or 'WAN address' to be carried in the 'Via' header of request/response message

Voicemail instructions:

Here takes the SNR-VG-1000-2S device together with Elastix as the example to introduce how voicemail works in the device.

(1) After the device registers to Elastix server, enable the voicemail function in Elastix for the corresponding extension number and then set password. As below :

Voicemail & Directory

Status

Voicemail Password

Email Address

Pager Email Address

Email Attachment yes no

Play CID yes no

Play Envelope yes no

Delete Voicemail yes no

IMAP Username

IMAP Password

VM Options

VM Context

VmX Locator

(2) Check feature code in Elastix and change it if necessary. Its default feature code setting is as follows:

Voicemail

Dial Voicemail	<input type="text" value="*98"/>	<input checked="" type="checkbox"/>	<input type="text" value="Enabled"/>
My Voicemail	<input type="text" value="*97"/>	<input checked="" type="checkbox"/>	<input type="text" value="Enabled"/>

(3) On the Web interface of SNR-VG-1000-2S, click **Advanced** → **SIP Parameter** in the navigation tree and then enter voicemail User ID.

SUBSCRIBE for MWI(Message Waiting Indicator)	<input checked="" type="checkbox"/> Enable
MWI Subscription Expires(Default: 3600)	<input type="text" value="3600"/> s
Voicemail User ID	<input type="text"/>
Visual MWI Type	<input type="text" value="NEON"/>

(4) Set ringing time in Elastix. Elastix will prompt user to leave a message after the corresponding extension rings 15 seconds (by default). Then the Elastix sever will record the message. Related setting is shown as follows:

Voicemail

Ringtime Default:	<input type="text" value="15"/>
Direct Dial Voicemail Prefix:	<input type="text" value="*"/>
Direct Dial to Voicemail message type:	Unavailable ▾
Optional Voicemail Recording Gain:	<input type="text"/>
Do Not Play "please leave message after tone" to caller	<input type="checkbox"/>

(5) Dial *200# on the extension which is connected to SNR-VG-1000-2S, and then dial voicemail user ID and password for authentication. After that user will hear voice message.

4.7.4 Fax Parameter

The SNR-VG-1000-1S/2S/4S device supports the three fax modes: T.38 (IP-based), T.30 (Pass-Through) and Adaptive Fax Mode (automatically match with the peer fax mode).

Figure 4-28 Configure Fax Parameters

Fax Config

Fax Mode	<input type="text" value="Adaptive"/>
Include "a=X-fax" Attribute	<input type="checkbox"/> Enable
Include "a=fax" Attribute	<input type="checkbox"/> Enable
Include "a=X-modem" Attribute	<input type="checkbox"/> Enable
Include "a=modem" Attribute	<input type="checkbox"/> Enable
Include "vbd" Parameter	<input checked="" type="checkbox"/> Enable
Include "silenceSupp" Parameter	<input checked="" type="checkbox"/> Enable
ECM	<input type="checkbox"/> Enable
Rate	<input type="text" value="14400 bps"/>
Tone Detection by	<input type="text" value="Local"/>
Switch into Fax Mode When Detected CNG or CED	<input type="checkbox"/>

Table 4-12 Explanation of Fax Parameters

Fax Mode	There are three fax modes: T.38, T.30(Pass-through), and Adaptive.
Include Attribute "a=X-fax"	If this parameter is enabled, "a=X-fax" attribute will be carried in SDP
Include Attribute "a=fax"	If this parameter is enabled, "a=fax" attribute will be carried in SDP

Include “a=X-modem” Attribute	If this parameter is enabled, “a=X-modem” attribute will be carried in SDP
Include “a=modem” Attribute	If this parameter is enabled, “a=modem” attribute will be carried in SDP
ECM	Whether to enable ‘Error Correction Mode’ (ECM) .
Rate	The rate of sending or receiving fax, default value is 14400bps.
Tone Detection by	Fax sound is detected by caller, callee or automatically.
Switch into Fax Mode When Detect CNG or CED	If this parameter is enabled, the system will switch into fax mode when CNG or CED is detected.

4.7.5 Digit Map

Dialplan is used for number dialing of calls through FXS ports of the SNR-VG-1000 device. It supports DigitMap.

Figure 4-29 DigitMap

Digit Map

Match Failed(When the registration is successful) Send to the server ▼

```
[*#]T[*#][*#]*x.T[*]x.#[[*#]xx#|#xx#[*#][0-9*#]x[0-9*].x#|x.#|x.T
```

DigitMap Syntax:

Supported Objects	Digit	0-9
	T	Timer
	DTMF	A digit, a timer, or one of the symbols of A, B, C, D, #, or *

Range	[]	One or more DTMF symbols enclosed in the [], but only one DTMF symbol can be selected
Range	()	One or more expressions enclosed the (), but only one can be selected
Separator		Separate expressions or DTMF symbols.
Subrange	-	Two digits separated by hyphen (-) which matches any digit between and including the two digits.
Wildcard	x	Matches any digit of 0 to 9
Modifiers	.	Matches 0 or more times of the preceding element
Modifiers	?	Matches 0 or 1 times of the preceding element

Examples of DigitMap Syntax

(13 15 18)xxxxxxxx	Matches the phone numbers with starting digits as 13, 15 or 18 and the left nine digits as any of 0 to 9
[2-8] xxxxxx 13xxxxxxxx	Matches the phone numbers starting with any digit of 2 to 8 and the left six digits as any of 0 to 9; or matches the phone numbers starting with 13 and the left nine digits as any of 0 to 9

4.7.6 System Parameter

System parameters include NAT traversal, NTP, daylight saving time, daily reboot time, web parameter, telnet parameter and remote management.

NAT Traversal (Network Address Translator Traversal) is a computer networking technique of establishing and maintaining Internet protocol connections across gateways that implement network address translation (NAT). NAT breaks the principle of end-to-end connectivity originally envisioned in the design of the Internet.

STUN (Simple Traversal of UDP over NATs) is a lightweight protocol that allows applications to discover the presence and types of NATs and firewalls between them and the public Internet. It also provides the ability for applications to determine the IP addresses allocated to them by the NAT. STUN works with many existing NATs, and does not require any special behavior from them. STUN doesn't support TCP connection and H.323.

NTP (Network Time Protocol) is a computer time synchronization protocol.

Figure 4-30 Configure System Parameters

System Parameter	
NAT Traversal	Disable ▾
NTP	<input checked="" type="checkbox"/> Enable
Primary NTP Server Address	us.pool.ntp.org
Primary NTP Server Port	123
Secondary NTP Server Address	64.236.96.53
Secondary NTP Server Port	123
SYN Interval	3600 s
Time Zone	GMT-6:00 (US Central Time, Chicago) ▾
Daylight Saving Time	<input type="checkbox"/> Enable
Daily Reboot	<input type="checkbox"/> Enable
Reboot Time	0 ▾ : 0 ▾
Summary Config	<input type="checkbox"/> Enable
Summary	
WEB Parameter	
WEB Port	80
SSL Port	443
Telnet Parameter	
Telnet Port	23
Remote Management	
Access WEB by WAN	<input checked="" type="checkbox"/> Enable
Access WEB by LAN	<input checked="" type="checkbox"/> Enable
Access Telnet by WAN	<input checked="" type="checkbox"/> Enable
Access Telnet by LAN	<input checked="" type="checkbox"/> Enable

Table 4-13 Explanation of System Parameters

NAT Traversal	User can choose 'Disable', 'STUN', 'Static NAT' and 'Dynamic NAT'.
NTP	To enable or disable NTP
Primary NTP server address	The IP address of primary NTP server; default IP address is us.pool.ntp.org.
Primary NTP server port	The service port of primary NTP server; default port is 123.
Secondary NTP server address	The IP address of secondary NTP server ; Default IP address is 64.236.96.53

Secondary server port	NTP	The service port of secondary NTP server; Default port is 123
SYN Interval		The interval to synchronize the time of the SNR-VG-1000-4S/8S. Default value is 3600s.
Time Zone		The time zone of the device; Default configuration is United States central time, Chicago.
Daylight Time	Saving	Enable or disable daylight saving time
Daily Reboot		Whether to enable daily reboot
Reboot time		The time to reboot the device daily
WEB Port		The web port of the device; Default port is 80
SSL Port		The SSL port; Default is 443
Telnet port		Listening port of telnet service; Default port is 23
Access WAN	WEB by	Choose to enable or disable 'Access web service from WAN'
Access LAN	WEB by	Choose to enable or disable 'Access web service from LAN'
Access WAN	Telnet by	Choose to enable or disable 'telnet service from WAN'
Access LAN	Telnet by	Choose to enable or disable 'telnet web service from LAN'

【 Note 】 After Web port and Telnet port are configured, please restart the device for the configurations to take effect.

4.8 Call & Routing

4.8.1 Port Group

When two or more FXS ports need to register with a same SIP account, you can group the ports together and then set an account for the group on the **Call & Routing → Port Group** page.

Parameters of port group include registration, primary display name, primary SIP user id, primary authentication ID and password, secondary display name, secondary SIP user id, secondary authentication ID and password, off-hook auto dial, auto dial delay time, port select, etc.

Figure 4-31 Add Port Group

Port Group Add

Index	<input type="text" value="0"/>
Registration	<input checked="" type="checkbox"/> Enable
Description	<input type="text" value="PortGroup1"/>
Primary Display Name	<input type="text" value="52000"/>
Primary SIP User ID	<input type="text" value="52000"/>
Primary Authenticate ID	<input type="text" value="52000"/>
Primary Authenticate Password	<input type="text" value="123456"/>
Secondary Display Name	<input type="text"/>
Secondary SIP User ID	<input type="text"/>
Secondary Authenticate ID	<input type="text"/>
Secondary Authenticate Password	<input type="text"/>
Offhook Auto-Dial	<input type="text" value="8000"/>
Auto-Dial Delay Time	<input type="text" value="3"/>
Port Select	<input type="text" value="Cyclic Ascending"/>
Pick Up on Group	<input type="text" value="*#"/>
Port	<input type="button" value="Click to Select Ports for this Group"/>

Table 4-14 Parameter Explanation of Port Group

Index	The NO. of the port group; It uniquely identifies a route.
Description	The description of the port group; it is used to identify the port group.
Primary/Secondary Display Name	<p>Display name of the port group, which will be used in SIP message, for example:</p> <pre>INVITE sip:bob@biloxi.com SIP/2.0 Via: SIP/2.0/UDPpc33.atlanta.com;branch=z9hG4bK776asdhds Max-Forwards: 70 To: Bob <sip:bob@biloxi.com> From: Alice <sip:alice@atlanta.com>;tag=1928301774</pre> <p>Here Bob and Alice is the display name</p>
Primary/Secondary SIP User ID	User ID of this SIP account, which is provided by VoIP service provider (ITSP). It is usually in the form of digit similar to phone number or an actual phone number.

Primary/Secondary Authenticate ID	SIP service subscriber's ID for authentication; it can be identical to or different from SIP User ID.
Primary/Secondary Authenticate Password	SIP service subscriber's password for authentication
Offhook Auto-Dial	An extension or phone number is pre-assigned here so that the number is automatically dialed as soon as user picks up the phone
Auto-dial Delay time	How long auto-dialing will be delayed
Port Select	<p>It specifies the policy for selecting a port for ringing in the port group</p> <ul style="list-style-type: none"> • Ascending: the device always selects a port from the minimum number. • Cyclic ascending: the device always selects a port from a number next to the number selected last time. If the maximum number was selected last time, the next selected number is the minimum number. The sequence moves in cycles like this. • Descending: the device always selects a port from the maximum number. • Cyclic descending: the device always selects a port from a number next to the number selected last time. If the minimum number was selected last time, the next selected number is the maximum number. The sequence moves in cycles like this. • Group ring: all ports ring at the same time
Pickup UP on group	When one port rings, user can dial '*#' to pick up the call from other ports under the same port group.
Port	Select ports for this port group

4.8.2 IP Trunk

A peer-to-peer VoIP call occurs when two VoIP phones communicate directly over IP network without IP PBXs between them. IP trunk helps establish peer-to-peer call between gateway and VoIP phones. IP trunk will be used in routing configuration.

Figure 4-32 Configure IP Trunk

Table 4-15 Explanation of IP Trunk Parameters

Index	The No. of the IP trunk; range is from 0 to 127.
Description	The description of the IP trunk; it is used to identify the IP trunk.
Remote Address	IP address or domain name of the peer device
Remote Port	SIP port of the peer device
Heartbeat	Whether to enable the ‘Heartbeat’ function for the IP trunk. Default value is ‘not enable’. If heartbeat is enabled, the device will send “OPTION” to the peer device.

4.8.3 Routing Parameter

Routing parameter determines a call is routed before or after

manipulation. Figure 4-33 Configure Routing Parameter

Table 4-16 Explanation of Routing Parameters

IP → IP Routing	Choose whether to enable IP → IP routing. If this parameter is enabled, calls from IP network will be routed to IP phones.
------------------------	--

Calls from IP	Choose calls from IP network are routed before manipulation or after manipulation.
Calls from Analog Line	Choose calls from analog lines are routed before manipulation or after manipulation.

4.8.4 IP → Tel Routing

Calls from IP network can be routed to FXS port or port group of the SNR-VG-1000 device through IP →Tel routing.

Figure 4-34 Add IP →Tel Route

The screenshot shows the 'IP->Tel Routing Modify' web interface. It contains the following fields and options:

- Index:** 127
- Description:** IP->TelRoute1
- Calls from:** Radio button for 'IP Trunk' is selected. A dropdown menu shows '127 <95.98>'.
- Caller Prefix:** any
- Callee Prefix:** any
- Calls to:** Radio button for 'Port' is selected. A dropdown menu shows '0'.
- Port Group:** Radio button is unselected. A dropdown menu shows '1 <056002>'.

At the bottom of the form are three buttons: 'Save', 'Reset', and 'Cancel'.

Table 4-17 Parameter Explanation of IP →Tel Routes

Index	Index of the IP →Tel routing; range is from 0 to127; 0 is the highest priority.
Description	Description of the IP →Tel routing; it is used to identify the IP → Tel routing.
Calls from	Choose calls from IP trunk or SIP server; ‘any’ means any IP addresses.
Caller Prefix	The prefix of the caller number, which helps match routing exactly. Its length is less than or equal to the caller number. For example, if caller number is 2001, the caller prefix can be 200 or 2. ‘Any’ means the prefix matches any caller number.
Callee Prefix	The prefix of the called number, which helps match routing exactly. Its length is less than or equal to the called number. If the called number is 008675526456659, the called prefix can be 0086755 or 00.,“any” means the prefix matches any called number
Calls to	Which port or port group to which calls are routed.

4.8.5 Tel → IP/Tel Routing

Calls from the FXS port or port group can be routed to IP trunk or ports of SIP server/other device through Tel →IP/Tel routing.

Figure 4-35 Add Tel →IP/Tel Route

The screenshot shows a web interface for adding a Tel →IP/Tel route. The form is titled "Tel->IP/Tel Routing Add" and contains the following fields and options:

- Index:** A dropdown menu with the value "127".
- Description:** A text input field containing "Tel->IPRoute1".
- Calls from:** Radio buttons for "Port" and "Port Group". "Port Group" is selected. A dropdown menu shows "1 <056002>".
- Caller Prefix:** A text input field containing "any".
- Callee Prefix:** A text input field containing "any".
- Calls to:** Radio buttons for "Port", "Port Group", "IP Trunk", and "SIP Server". "IP Trunk" is selected. A dropdown menu shows "127 <95.98>".

At the bottom of the form are three buttons: "Save", "Reset", and "Cancel".

Table 4-18 Explanation of Tel →IP/Tel Route

Index	The index of this Tel →IP/Tel routing; range is from 0 to 127. Each index cannot be used repeatedly. Routing priority: 0 is the highest priority.
Description	The description of this Tel →IP/Tel routing; it is used to identify the routing.
Calls From	Choose calls are from a port or a port group
Caller Prefix	The prefix of the caller number, which helps match routing exactly. Its length is less than or equal to the caller number. For example, if caller number is 2001, the caller prefix can be 200 or 2. 'any' means the prefix matches any caller number.
Callee Prefix	The prefix of the called number, which helps match routing exactly. Its length is less than or equal to the called number. If the called number is 008675526456659, the called prefix can be 0086755 or 00. 'any' means the prefix matches any called number.
Calls to	Choose calls are routed to a port, port group, IP trunk or SIP server

4.8.6 IP → IP Routing

Calls from IP trunk can be routed to a different IP trunk through IP → IP routing. Configurations on this page won't take effect unless IP → IP routing has been enabled on the [Call & Routing → Routing Parameter](#) page.

Figure 4-36 Add IP → IP Route

The screenshot shows a web interface for adding an IP → IP routing rule. The form is titled "IP->IP Routing Add" and contains the following fields:

- Index:** A dropdown menu with the value "127".
- Description:** A text input field containing "IP->IPRoute1".
- Calls from:** A radio button labeled "IP Trunk" is selected, followed by a dropdown menu showing "127 <95.98>".
- Caller Prefix:** A text input field containing "any".
- Callee Prefix:** A text input field containing "any".
- Calls to:** A radio button labeled "IP Trunk" is selected, followed by a dropdown menu showing "126 <IPTrunk2>".

At the bottom of the form, there are three buttons: "Save", "Reset", and "Cancel".

Table 4-19 Parameter Explanation of IP → IP Route

Index	The index of this IP → IP routing; range is from 0 to 127. Each index cannot be used repeatedly. Routing priority: 0 is the highest priority.
Description	The description of this IP → IP routing; it is used to identify the routing.
Calls From	Choose calls are from which IP trunk. 'Any' means calls are from any IP addresses.
Caller Prefix	The prefix of the caller number, which helps match routing exactly. Its length is less than or equal to the caller number. For example, if caller number is 2001, the caller prefix can be 200 or 2. 'any' means the prefix matches any caller number.
Callee Prefix	The prefix of the called number, which helps match routing exactly. Its length is less than or equal to the called number. If the called number is 008675526456659, the called prefix can be 0086755 or 00. 'any' means the prefix matches any called number.
Calls to	Choose calls are routed to which IP trunk.

4.9 Manipulation

Number manipulation refers to the change of a called number or a caller number during calling process when the called number or the caller number matches the preset rules.

4.9.1 IP → Tel Callee

On the **IP → Tel Callee** page, you can set rules for manipulating the called number of IP → Tel calls.

Figure 4-37 Add IP →Tel Called Number Manipulation

The screenshot shows a web interface for adding IP → Tel Callee manipulation. The form is titled "IP->Tel Callee Add" and contains the following fields and options:

- Index:** 127
- Description:** IP->Tel-Manipulation1
- Calls from:** Radio buttons for "IP Trunk" (selected) and "SIP Server". A dropdown menu next to "IP Trunk" shows "126 <IPTrunk2>".
- Caller Prefix:** any
- Callee Prefix:** any
- Calls to:** Radio buttons for "Port" (selected) and "Port Group". A dropdown menu next to "Port" shows "0", and a dropdown menu next to "Port Group" shows "1 <056002>".
- Stripped Digits from Left:** 2
- Stripped Digits from Right:** (empty field)
- Prefix to Add:** 134
- Suffix to Add:** (empty field)

At the bottom of the form are three buttons: "Save", "Reset", and "Cancel".

Table 4-20 Explanation of Parameters for IP →Tel Called Number Manipulation

Index	The index of this manipulation; range is from 0 to 127. Each index cannot be used repeatedly. 0 is the highest priority
Description	Description of this manipulation; it is used to identify this manipulation.
Calls From	Determine the calls come from IP trunk or SIP server
Caller Prefix	Set a prefix for caller number. The prefix's length is less than or equal to that of the caller number, which helps to match the caller number of this call. If caller number is 2001, the caller prefix can be 200 or 2. "any" means match any caller number.
Callee Prefix	Set a prefix for called number. The prefix's length is less than or equal to called number, which helps to match the called number. If called number is 008675526456659, the called prefix can be 0086755 or 00. "any" means match any called number.
Calls to	Determine the call is routed to a port or a port group.
Stripped Digits from Left	The number of digits which are lessened from the left of the called number

Stripped Digits from Right	The number of digits which are lessened from the right of the called number
Prefix to Add	The prefix added to the called number after its digits are lessened.
Suffix to Add	The suffix added to the called number after its digits are lessened.

4.9.2 Tel → IP/Tel Caller

On the **Tel → IP/Tel Caller** page, you can set rules for manipulating the caller number of Tel → IP/Tel calls.

Figure 4-38 Add Tel → IP/Tel Caller Number Manipulation

Tel->IP/Tel Caller Add

Index: 127

Description: Tel->IP-Manipulation2

Calls from: Port 0 Port Group 1 <056002>

Caller Prefix: any

Callee Prefix: any

Calls to: Port 0 Port Group 1 <056002> IP Trunk 126 <IPTrunk2> SIP Server

Stripped Digits from Left: 1

Stripped Digits from Right:

Prefix to Add: 020

Suffix to Add:

Save Reset Cancel

Table 4-21 Explanation of Parameters for IP → Tel Called Number Manipulation

Index	The index of this manipulation; range is from 0 to 127. Each index cannot be used repeatedly. 0 is the highest priority
Description	Description of this manipulation; it is used to identify this manipulation.
Calls From	Determine the calls come from a port or a port group.
Caller Prefix	Set a prefix for caller number. The prefix's length is less than or equal to that of the caller number, which helps to match the caller number of this

	call. If caller number is 2001, the caller prefix can be 200 or 2. 'any' means match any caller number.
Callee Prefix	Set a prefix for called number. The prefix's length is less than or equal to called number, which helps to match the called number. If called number is 008675526456659, the called prefix can be 0086755 or 00. 'any' means match any called number.
Calls to	Determine the call is routed to a port, a port group, an IP trunk or a SIP server.
Stripped Digits from Left	The number of digits which are lessened from the left of the caller number
Stripped Digits from Right	The number of digits which are lessened from the right of the caller number
Prefix to Add	The prefix added to the caller number after its digits are lessened.
Suffix to Add	The suffix added to the caller number after its digits are lessened.

4.9.3 Tel → IP/Tel Callee

On the **Tel → IP/Tel Callee** page, you can set rules for manipulating the called number of Tel → IP/Tel calls.

Figure 4-39 Add Tel → IP/Tel Callee Number Manipulation

Tel->IP/Tel Callee Add

Index	<input type="text" value="127"/>
Description	<input type="text" value="Tel->IP-Manipulation3"/>
Calls from	<input checked="" type="radio"/> Port <input type="text" value="0"/> <input type="radio"/> Port Group <input type="text" value="1 <056002>"/>
Caller Prefix	<input type="text" value="any"/>
Callee Prefix	<input type="text" value="any"/>
Calls to	<input type="radio"/> Port <input type="text" value="0"/> <input type="radio"/> Port Group <input type="text" value="1 <056002>"/> <input checked="" type="radio"/> IP Trunk <input type="text" value="126 <IPTrunk2>"/> <input type="radio"/> SIP Server
Stripped Digits from Left	<input type="text" value="0"/>
Stripped Digits from Right	<input type="text"/>
Prefix to Add	<input type="text" value="0755"/>
Suffix to Add	<input type="text"/>

Table 4-22 Explanation of Parameters for Tel → IP/Tel Callee Number Manipulation

Index	The index of this manipulation; range is from 0 to 127. Each index cannot be used repeatedly. 0 is the highest priority
Description	Description of this manipulation; it is used to identify this manipulation.
Calls From	Determine the calls come from a port or a port group.
Caller Prefix	Set a prefix for caller number. The prefix's length is less than or equal to that of the caller number, which helps to match the caller number of this call. If caller number is 2001, the caller prefix can be 200 or 2. 'any' means match any caller number.
Callee Prefix	Set a prefix for called number. The prefix's length is less than or equal to called number, which helps to match the called number. If called number is 008675526456659, the called prefix can be 0086755 or 00. 'any' means match any called number.
Calls to	Determine the call is routed to a port, a port group, an IP trunk or a SIP server.
Stripped Digits from Left	The number of digits which are lessened from the left of the called number
Stripped Digits from Right	The number of digits which are lessened from the right of the called number
Prefix to Add	The prefix added to the called number after its digits are lessened.
Suffix to Add	The suffix added to the called number after its digits are lessened.

4.10 Management

4.10.1 TR069

TR069 is short for Technical Report 069, which provides a commonly-used framework and protocol for next-generation network devices. As an application-level protocol on top of IP TR069 has no limitation to access ways of network devices.

Under the network management model of TR069, ACS (Auto-Configuration Server) works as a management server, responsible for managing CPEs (Custom Premise Equipment).

ACS URL (auto-configuration server URL address) is provided by service provider. The ACS URL generally starts with http:// or https://

Username and password are used for ACS authentication.

Figure 4-40 Configure TR069 Parameter

The screenshot shows a web interface for configuring TR069 parameters. It is titled "TR069 Parameter" and contains the following fields and options:

- TR069**: A checkbox labeled "Enable" which is currently unchecked.
- ACS Configuration**:
 - ACS URL**: An empty text input field.
 - User Name**: An empty text input field.
 - Password**: An empty text input field.
 - Periodic Inform**: A checked checkbox labeled "Enable".
 - Periodic Inform Interval**: A text input field containing "30" followed by a small "s" for seconds.
- Connect Request**:
 - User Name**: An empty text input field.
 - Password**: An empty text input field.
 - Port**: A text input field containing "7547".

A "Save" button is located at the bottom center of the form.

Table 4-23 Explanation of TR069 Parameters

TR069	Choose whether to enable TR069; it is 'not enable' by default.
ACS URL	The IP address or domain name of ACS, which is provided by service provider.
Username(ACS)	Username of ACS, which is provided by service provider.

Password(ACS)	Password of ACS, which is provided by service provider.
Periodic Inform	Choose whether to enable 'Periodic Inform'; if it is enabled, ACS will connect to CPE every 30 seconds (if the interval is set as 30 seconds).
Periodic Inform Interval	The interval set for periodic connection between ACS and CPE.
Username (CPE)	Username of CPE
Password (CPE)	Password of CPE
Port	The port to connect CPE and ACS

4.10.2 SNMP

SNMP (Simple Network Management Protocol) is an Internet-standard protocol for collecting and organizing information about managed devices on IP networks and for modifying that information to change device behavior. Devices that typically support SNMP include routers, switches, servers, workstations, printers, modem racks and more.

SNMP is widely used in network management for network monitoring. SNMP exposes management data in the form of variables on the managed systems organized in a management information base which describe the system status and configuration. These variables can then be remotely queried (and, in some circumstances, manipulated) by managing applications.

Three significant versions of SNMP have been develop. SNMPv1 is the original version of the protocol. More recent versions, SNMPv2c and SNMPv3, feature improvements in performance, flexibility and security.

Figure 4-41 Configure SNMP Parameters

SNMP Parameter

Snmp Enable

Snmp Version v1 ▼

Community Configuration

	Community	Source
1st	<input type="text"/>	<input type="text"/>
2nd	<input type="text"/>	<input type="text"/>
3rd	<input type="text"/>	<input type="text"/>

Note: Value of 'Source' is 'default' or IP Address(eg:192.168.1.1)!

Group Configuration

	Group	Community
1st	<input type="text"/>	<input style="border: 1px solid #ccc;" type="text"/>
2nd	<input type="text"/>	<input style="border: 1px solid #ccc;" type="text"/>
3rd	<input type="text"/>	<input style="border: 1px solid #ccc;" type="text"/>

View Configuration

	ViewName	ViewType	ViewSubtree	ViewMask
1st	<input type="text"/>	<input style="border: 1px solid #ccc;" type="text"/>	<input type="text"/>	<input type="text"/>
2nd	<input type="text"/>	<input style="border: 1px solid #ccc;" type="text"/>	<input type="text"/>	<input type="text"/>
3rd	<input type="text"/>	<input style="border: 1px solid #ccc;" type="text"/>	<input type="text"/>	<input type="text"/>

Note: Value style of 'ViewSubtree' is 'x.x.x.x.x'(multi-nodes) or 'x'(one node).

Access Configuration(v1/v2c)

	Group	Read	Write	Notify
1st	<input style="border: 1px solid #ccc;" type="text"/>	<input style="border: 1px solid #ccc;" type="text"/>	<input style="border: 1px solid #ccc;" type="text"/>	<input style="border: 1px solid #ccc;" type="text"/>
2nd	<input style="border: 1px solid #ccc;" type="text"/>	<input style="border: 1px solid #ccc;" type="text"/>	<input style="border: 1px solid #ccc;" type="text"/>	<input style="border: 1px solid #ccc;" type="text"/>
3rd	<input style="border: 1px solid #ccc;" type="text"/>	<input style="border: 1px solid #ccc;" type="text"/>	<input style="border: 1px solid #ccc;" type="text"/>	<input style="border: 1px solid #ccc;" type="text"/>

Note: The value of Read/Write/Notify references to 'ViewName' in View Configuration. Access Configuration is base on Group Configuration and View Configuration.

Trap Configuration

	Trap Type	Trap IP	Trap Port	Trap Community
1st	<input style="border: 1px solid #ccc;" type="text"/>	<input type="text"/>	0 <input type="text"/>	<input type="text"/>

Table 4-24 Explanation of SNMP Parameters

SNMP	The SNR-VG-1000 device supports three versions of SNMP, namely V1, V2C and V3.
Community Configuration	<p>Community configuration exists in V1 and V2C.</p> <p>Community: fill in a community name used to read through SNMP protocol; it is a character string.</p> <p>Source: The IP address of SNMP server.</p> <p>SNMP server cannot identify the packets sent from SNR-VG-1000 unless the community configured in SNR-VG-1000 matches with the community configured in SNMP server.</p>

Group Configuration	<p>Group configuration exists in V1 and V2C and V3.</p> <p>Group: fill in a group name which is used to identify the group; it's a character string.</p> <p>Community: fill in a community which means this community has joined in the group.</p> <p>In the following, access permission of read, write and notify is configured for each group.</p>
View Configuration	<p>View configuration exists in V1, V2C and V3.</p> <p>ViewName: fill in a view name which is used to identify this view.</p> <p>ViewType: choose 'Included' or 'Excluded'. 'Included' means the view includes the OID of the corresponding ViewSubtree, while 'Excluded' means the OID of the corresponding ViewSubtree is excluded from this view.</p> <p>ViewSubtree: fill in the OID of the view subtree.</p> <p>ViewMask: it is used to withdraw a row of a table, such as an Ethernet port.</p>
Access Configuration	<p>Access configuration exists in V1, V2C and V3, under which permission of read, write or notify is configured for a community group.</p> <p>Group: choose a group name that has been configured.</p> <p>Read: Choose a 'read' view for the group.</p> <p>Write: Choose a 'write' view for the group.</p> <p>Notify: Choose a 'notify' view for the group.</p>
Trap Configuration	<p>Trap configuration exists in V1, V2C and V3, which is aimed to send trap alarm.</p> <p>Trap Type: Choose V1, V2C and Inform.</p> <p>Trap IP: the IP address of the destination SNMP server where trap alarm is sent.</p> <p>Trap Port: the port of the destination SNMP server, which will receive trap alarm.</p> <p>Trap Community: the community configured in the destination SNMP server.</p>
User Configuration	<p>User configuration exists in V3. When V3 transmits SNMP packets in an encryption way, this item needs to be configured.</p> <p>User: fill in a user name used to authenticate.</p> <p>AuthType: choose MD5 or SHA as authentication type.</p>
	<p>AuthPassword: the password used to authenticate.</p> <p>Privacy Type: Choose DES, AES or AES 128 as encryption type.</p> <p>Privacy Password: the encryption password.</p>

4.10.3 Syslog

Syslog is a standard for message logging. It allows separation of the software that generates messages, the system that stores messages, and the software that reports and analyzes

messages. It also provides a means to notify administrators of problems or performance.

Syslog levels include: EMERG, ALERT, CRIT, ERROR, WARNING, NOTICE, INFO and DEBUG.

Figure 4-42 Configure Syslog Parameters

Syslog Parameter	
Local Syslog	<input checked="" type="checkbox"/> Enable
Server Address	<input type="text" value="172.16.80.123"/>
Server Port	<input type="text" value="514"/>
Syslog Level	<input type="text" value="EMERG"/>
Signal Log	<input checked="" type="checkbox"/> Enable
Media Log	<input checked="" type="checkbox"/> Enable
System Log	<input checked="" type="checkbox"/> Enable
Management Log	<input checked="" type="checkbox"/> Enable
Server Syslog	<input type="checkbox"/> Enable

When the SNR-VG-1000 device registers to SIM Cloud server, local syslog will be changed to non-configurable and all logs will be stored on the Cloud server.

4.10.4 Provision

Provision is used to make the SNR-VG-1000 device automatically upgrade with the latest firmware stored on an http server, an ftp server or a tftp server. Please refer to the Instruction for Using Provision.

Figure 4-43 Provision

Table 4-25 Explanation of Provision Parameters

URL	URL of provisioning server, support HTTP, TFTP, FTP
Check Interval	The interval to check whether there is new firmware version on the provisioning server
Account	Account for logging in provisioning server
Password	Password for logging in provisioning server

4.10.5 Cloud server

You can register the SNR-VG-1000 device to cloud server, and then the device can be managed by the cloud server.

Figure 4-44 Configure Cloud Server

Table 4-26 Explanation of Parameters for Cloud Server

Server Address	The IP address of the cloud server
Port	The listening port of the cloud server
Domain	The domain name of the cloud server
Join the remote management system	Choose whether to join the remote management system of the cloud server.

4.10.6 User Manage

On the **Management** → **User Manage** page, the administrator of the SNR-VG-1000 device can classify users in different groups, and set login username and password for each user.

Figure 4-45 Modify Username and Password

4.10.7 Remote Server

In case that you need remote technical support, technical support engineers can connect your device with a service server on the **Management** → **Remote Server** page, so as to better help you to solve problems.

Figure 4-46 Configure Remote Server

4.10.8 Action URL

Action URL is a means of allowing VoIP platform/VoIP server to learn about the statuses of the SNR-VG-1000 device. This is realized by GET request over the HTTP protocol. During the transmission of status, some data (such as device ID, mac address, called/caller number, IP address) carried in GET request can also be reported to VoIP platform/VoIP server.

The data that can be carried in GET request, please refer to the notes on the **Management** → **Action URL** page.

Figure 4-47 Configure Action URL

Event	Action URI
Startup	<input type="text" value="http://host:port/file.php?macaddr=\$mac"/>
Offhook	<input type="text"/>
Onhook	<input type="text"/>
Incoming Call	<input type="text"/>
Outgoing Call	<input type="text"/>
Call Build	<input type="text"/>
Call Terminate	<input type="text"/>
Register Status	<input type="text"/>
Heartbeat	<input type="text"/>
Heartbeat Interval	<input type="text" value="10"/> s

Event: Statuses of SNR-VG-1000 device, which will be reported to VoIP platform/VoIP server.

Action URL: for example, [http://host:port/file.php?macaddr=\\$mac](http://host:port/file.php?macaddr=$mac), among which 'host' means the HTTP server's IP address or domain name, 'port' means the http server's listening port, 'file.php' means the script that will process this request, and '\$mac' means the parameter carried in the request when this request is sent out.

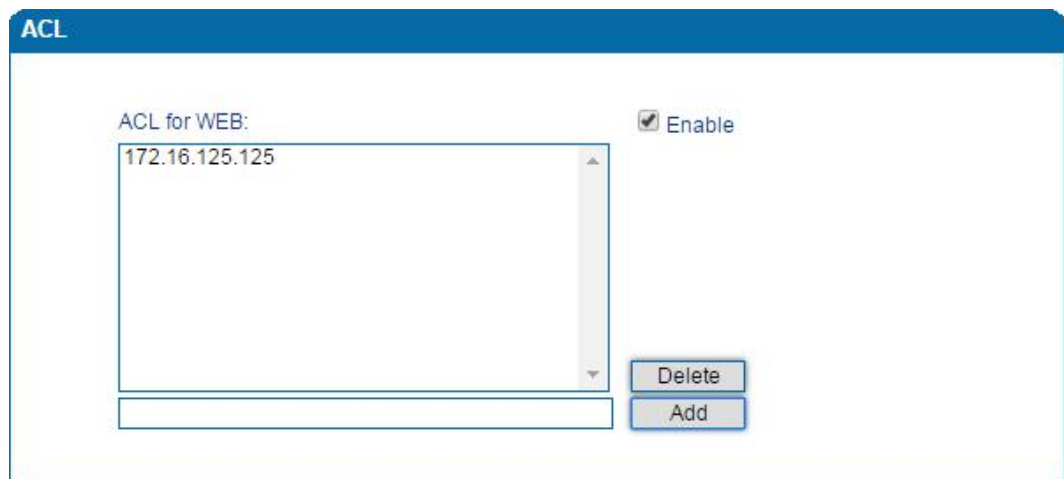
Heartbeat: heartbeat packets are sent to URL by the SNR-VG-1000 device, used to examine the connection between the SNR-VG-1000 device and HTTP/HTTP server.

4.11 Security

4.11.1 WEB ACL

ACL (Access Control List) for Web is used to configure IP addresses that are allowed to access the Web Interface of the SNR-VG-1000 device. The IP address list can't be null once ACL is enabled.

Figure 4-48 Add IP Address to Web ACL

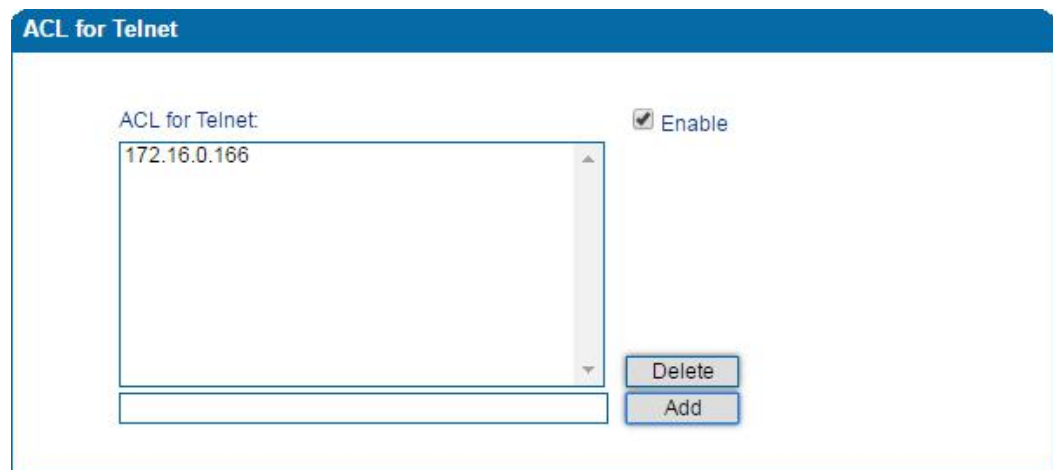


The screenshot shows a web interface titled "ACL" with a blue header. Below the header, there is a section labeled "ACL for WEB:". To the right of this section is a checked checkbox labeled "Enable". Below the "ACL for WEB:" label is a text area containing the IP address "172.16.125.125". To the right of the text area are two buttons: "Delete" and "Add". Below the text area is an empty input field.

4.11.2 Telnet ACL

ACL (Access Control List) for Telnet is used to configure IP addresses that are allowed to access the Telnet Interface of the SNR-VG-1000 device. The IP address list can't be null once ACL is enabled.

Figure 4-49 Add IP Address to Telnet ACL



The screenshot shows a web interface titled "ACL for Telnet" with a blue header. Below the header, there is a section labeled "ACL for Telnet:". To the right of this section is a checked checkbox labeled "Enable". Below the "ACL for Telnet:" label is a text area containing the IP address "172.16.0.166". To the right of the text area are two buttons: "Delete" and "Add". Below the text area is an empty input field.

4.11.3 Passwords

You can configure or modify the username and password for logging in the Web interface and the Telnet interface of the SNR-VG-1000 device on this page.

Note: Both the username and password of Web and Telnet are 'admin' and 'admin' by default. It is advised to modify them for security consideration.

Figure 4-50 Modify Username and Password

4.11.4 Encrypt

When the SNR-VG-1000 device is registered to a VOS softswitch, you can encrypt SIP and RTP for the VOS softswitch.

Figure 4-51 Encrypt SIP and RTP

Note: If SIP encryption is enabled, heartbeat and anonymous calls should be disabled.

4.12 Tools

4.12.1 Firmware Upload

On the **Tools** → **Firmware Upload** page, you can upload a new firmware version from a local folder.

Figure 4-52 Upload Firmware

Steps of Firmware Uploading:

Step 1. Check the current firmware version on the **Status & Statistics** → **System Information** page.

Step 2. Prepare firmware package.

Step 3. Upload firmware, select the package from a specific folder on the computer and click the **Upload** button.

Step 4. Keep waiting until it prompts 'Software loaded successfully!'

Step 5. Reboot the device on the **Tools** → **Device Restart** page.

4.12.2 Data Backup

On the **Tools** → **Data Backup** page, you can download and backup configuration data, device status and summary messages on local computer.

Figure 4-53 Backup Data

4.12.3 Data Restore

On the **Tools** → **Data Restore** page, you can restore configuration data through uploading a data file from local computer. The restored configurations will take effect after the device is restarted.

Figure 4-54 Restore Data

4.12.4 Ping Test

Ping is used to examine whether a network works normally through sending test packets and calculating response time.

Instructions for using Ping:

1. Enter the IP address or domain name of a network, a website or a device in the input box of Ping, and then click **Start**.
2. If related messages are received, it means the network works normally; otherwise, the network is not connected or is connected faultily.

Figure 4-55 Execute Ping Test

4.12.5 Tracert Test

Tracert is short for traceroute, used to track a route from one IP address to another. Instruction for using Traceroute:

1. Enter the IP address or domain name of a destination device in the input box of Traceroute, and then click **Start**.

Figure 4-56 Execute Tracert Test

The screenshot shows a web interface for a Tracert Test. It features a blue header with the text 'Tracert Test'. Below the header, there are two input fields. The first is labeled 'Destination' and contains the IP address '172.16.95.35'. The second is labeled 'Max Hops(1-255)' and contains the number '30'. At the bottom of the form, there are two buttons: 'Start' and 'Stop'.

Destination: the IP address or domain name of a destination device that needs to be tracked.

Max Hops: the maximum hops for searching the above IP address or domain name. For example, if 'max hops' is set as 30, and the configured IP address or domain name cannot be reached within 30 hops, it's thought that the IP address or domain name cannot be searched.

2. View the route information from the returned message.

4.12.6 Outward Test

Outward test enables you to diagnose the physical function of FXS port which follow the GR909 standard. To start outward test, select the FXS ports to be tested and click 'Start'. The testing may cost a few minutes.

Figure 4-57 Execute Outward Test

The screenshot shows a web interface for an Outward Test. It features a blue header with the text 'Outward Test'. Below the header, there is a table with the following columns: Port, Enable, Loop Open, H.F. DC Voltage(V), H.F. AC Voltage(mV), Tip/Ring Short, and Result. The table contains two rows of data for ports 0 and 1. Below the table, there is an 'Options' section with a checkbox labeled 'Test All Ports'.

Port	Enable	Loop Open	H.F. DC Voltage(V)	H.F. AC Voltage(mV)	Tip/Ring Short	Result
0	<input checked="" type="checkbox"/>	NO	0	0	NO	OK
1	<input checked="" type="checkbox"/>	NO	0	0	NO	OK

Options:
 Test All Ports

Test Results:

OK: the physical function of the tested FXS ports is working well;

FAIL: There's something wrong with the physical function of the tested FXS ports.

4.12.7 Network Capture

Network capture is an important diagnostics tool for maintenance. It is used to capture data packages of the available network ports.

PCM Capture:

PCM capture helps to analysis voice stream between analog phone and DSP chipset.



Figure 4-58 Capture PCM Packages

- ◆ Click "Start" to enable PCM capture
- ◆ Dialing out through the device, start talking a short while then hang up the call.
- ◆ Click "Stop" to disable network capture
- ◆ Save the file to local computer

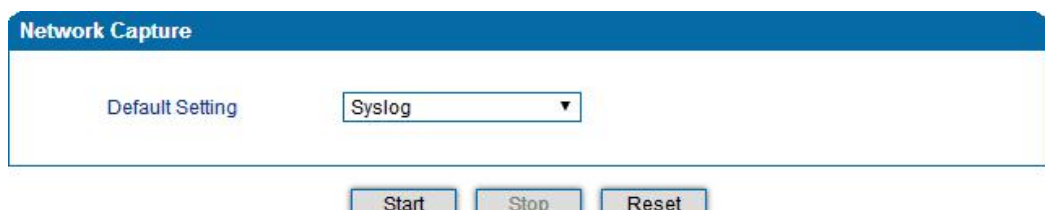
The captured package is named 'capture(x).pcap', among which x is the serial number of the capturing and will be added 1 in next time. The sample of PCM capture as below:

No.	Time	Source	Destination	Protocol	Length	Info
1	0.000000	Motorola_1c:1d:1e	Cimsys_33:44:55	CSM_ENCABS	104	--> 0x0021
2	0.000131	Cimsys_33:44:55	Motorola_1c:1d:1e	Ethernet	20	Ethernet II[Malformed Packet] Ch: 0xFFFF, Seq: 8 (From Host)
3	0.000245	Cimsys_33:44:55	Motorola_1c:1d:1e	CSM_ENCABS	44	--> 0x0021 Ch: 0xFFFF, Seq: 11 (From Host)
4	1.320893	Motorola_1c:1d:1e	Cimsys_33:44:55	CSM_ENCABS	104	--> 0x0e00 Ch: 0x0003, Seq: 0 (From Host)
5	1.321022	Cimsys_33:44:55	Motorola_1c:1d:1e	Ethernet	20	Ethernet II[Malformed Packet] Ch: 0x0003, Seq: 1 (From Host)
6	1.321129	Cimsys_33:44:55	Motorola_1c:1d:1e	CSM_ENCABS	30	--> 0x0e00 Ch: 0x0003, Seq: 1 (From Host)
7	1.329890	Motorola_1c:1d:1e	Cimsys_33:44:55	CSM_ENCABS	104	--> 0x0e01 Ch: 0x0003, Seq: 2 (From Host)
8	1.330010	Cimsys_33:44:55	Motorola_1c:1d:1e	Ethernet	20	Ethernet II[Malformed Packet] Ch: 0x0003, Seq: 2 (From Host)
9	1.330093	Cimsys_33:44:55	Motorola_1c:1d:1e	CSM_ENCABS	30	--> 0x0e01 Ch: 0x0003, Seq: 2 (From Host)
10	1.330472	Motorola_1c:1d:1e	Cimsys_33:44:55	CSM_ENCABS	104	--> 0x0802 Ch: 0x0003, Seq: 2 (From Host)
11	1.330566	Cimsys_33:44:55	Motorola_1c:1d:1e	Ethernet	20	Ethernet II[Malformed Packet] Ch: 0x0003, Seq: 3 (From Host)
12	1.330639	Cimsys_33:44:55	Motorola_1c:1d:1e	CSM_ENCABS	30	--> 0x0802 Ch: 0x0003, Seq: 3 (From Host)
13	1.330820	Motorola_1c:1d:1e	Cimsys_33:44:55	CSM_ENCABS	104	--> 0x0803 Ch: 0x0003, Seq: 3 (From Host)
14	1.330903	Cimsys_33:44:55	Motorola_1c:1d:1e	Ethernet	20	Ethernet II[Malformed Packet] Ch: 0x0003, Seq: 4 (From Host)
15	1.330989	Cimsys_33:44:55	Motorola_1c:1d:1e	CSM_ENCABS	30	--> 0x0803 Ch: 0x0003, Seq: 4 (From Host)
16	1.337791	Motorola_1c:1d:1e	Cimsys_33:44:55	CSM_ENCABS	104	--> 0x9010 Ch: 0x0003, Seq: 4 (From Host)
17	1.337996	Cimsys_33:44:55	Motorola_1c:1d:1e	Ethernet	20	Ethernet II[Malformed Packet] Ch: 0x0003, Seq: 4 (From Host)
18	1.338033	Cimsys_33:44:55	Motorola_1c:1d:1e	CSM_ENCABS	50	--< 0x9010 Ch: 0x0003, Seq: 5 (To Host)
19	1.338369	Motorola_1c:1d:1e	Cimsys_33:44:55	CSM_ENCABS	104	--> 0x9000 Ch: 0x0003, Seq: 5 (From Host)
20	1.338460	Cimsys_33:44:55	Motorola_1c:1d:1e	Ethernet	20	Ethernet II[Malformed Packet] Ch: 0x0003, Seq: 6 (To Host)
21	1.338564	Cimsys_33:44:55	Motorola_1c:1d:1e	CSM_ENCABS	30	--< 0x9000 Ch: 0x0003, Seq: 6 (To Host)
22	1.343521	Motorola_1c:1d:1e	Cimsys_33:44:55	CSM_ENCABS	104	--> 0x8084 Ch: 0x0003, Seq: 6 (From Host)
23	1.343627	Cimsys_33:44:55	Motorola_1c:1d:1e	Ethernet	20	Ethernet II[Malformed Packet] Ch: 0x0003, Seq: 7 (To Host)
24	1.343725	Cimsys_33:44:55	Motorola_1c:1d:1e	CSM_ENCABS	30	--< 0x8084 Ch: 0x0003, Seq: 7 (To Host)
25	1.344060	Motorola_1c:1d:1e	Cimsys_33:44:55	CSM_ENCABS	104	--> 0x8001 Ch: 0x0003, Seq: 7 (From Host)

Syslog Capture:

Syslog capture is another way to obtain syslog which is the same as remote syslog server and filelog. The captured file is save as pcap format so that it can be opened in some of capturing software like Wireshark, Ethereal software etc.

Figure 4-59 Capture Syslog Packages



- ◆ Click “Start” to enable syslog capture
- ◆ Dialing out through the device, start talking a short while then hang up the call.
- ◆ Click ‘Stop’ to disable syslog capture
- ◆ Save the capture to local computer

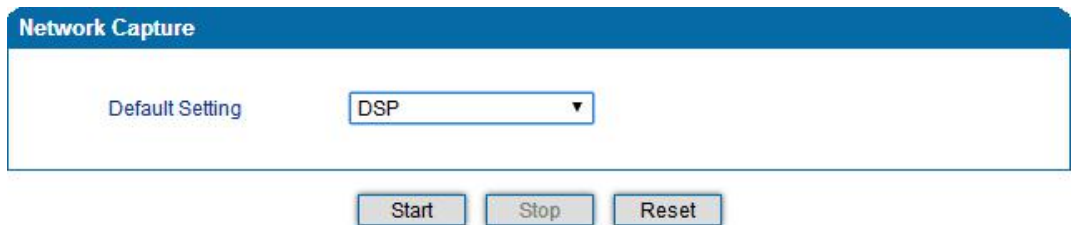
The capture package is named ‘capture(x).pcap’, among which x is the serial number of capturing and will be added 1 in next time. The sample of syslog capture as below:

No.	Time	Source	Destination	Protocol	Length	Info
1	0.000000	172.16.222.22	1.1.1.1	Syslog	172	USER.DEBUG: Jul 23 06:52:05 172.16.222.22 mpe_sip: < 0> [DEBUG] --->> to 172.16.222.22/5060 crypt:FALSE Phone
2	0.000344	172.16.222.22	1.1.1.1	Syslog	520	USER.DEBUG: Jul 23 06:52:05 172.16.222.22 mpe_sip: < 1> [DEBUG] OPTIONS sip:heartbeat@172.16.222.22 SIP/2.0\r\n
3	0.013432	172.16.222.22	1.1.1.1	Syslog	595	USER.DEBUG: Jul 23 06:52:05 172.16.222.22 mpe_sip: < 2> [DEBUG] <<<<<<*** message from 172.16.222.22/5060, crypt
4	0.013750	172.16.222.22	1.1.1.1	Syslog	176	USER.DEBUG: Jul 23 06:52:05 172.16.222.22 mpe_sip: < 3> [DEBUG] <<<<<< from 172.16.222.22/5060, crypt:FALSE, PHC
5	0.014036	172.16.222.22	1.1.1.1	Syslog	520	USER.DEBUG: Jul 23 06:52:05 172.16.222.22 mpe_sip: < 4> [DEBUG] OPTIONS sip:heartbeat@172.16.222.22 SIP/2.0\r\n
6	0.014512	172.16.222.22	1.1.1.1	Syslog	172	USER.DEBUG: Jul 23 06:52:05 172.16.222.22 mpe_sip: < 5> [DEBUG] --->> to 172.16.222.22/5060 crypt:FALSE Phone
7	0.014806	172.16.222.22	1.1.1.1	Syslog	587	USER.DEBUG: Jul 23 06:52:05 172.16.222.22 mpe_sip: < 6> [DEBUG] SIP/2.0 200 OK\r\n\r\nvia: SIP/2.0/UDP 172.16.222.
8	0.028396	172.16.222.22	1.1.1.1	Syslog	662	USER.DEBUG: Jul 23 06:52:05 172.16.222.22 mpe_sip: < 7> [DEBUG] <<<<<<*** message from 172.16.222.22/5060, crypt
9	0.028759	172.16.222.22	1.1.1.1	Syslog	176	USER.DEBUG: Jul 23 06:52:05 172.16.222.22 mpe_sip: < 8> [DEBUG] <<<<<< from 172.16.222.22/5060, crypt:FALSE, PHC
10	0.029052	172.16.222.22	1.1.1.1	Syslog	587	USER.DEBUG: Jul 23 06:52:05 172.16.222.22 mpe_sip: < 9> [DEBUG] SIP/2.0 200 OK\r\n\r\nvia: SIP/2.0/UDP 172.16.222.
11	0.030017	172.16.222.22	1.1.1.1	Syslog	233	USER.DEBUG: Jul 23 06:52:05 172.16.222.22 mpe_sip: < 10> [DEBUG] sip->>app: msgtype:ST_SIP_SERVER_CONN \r\n\r\n cal
12	0.331167	172.16.222.22	1.1.1.1	Syslog	983	USER.DEBUG: Jul 23 06:52:05 172.16.222.22 mpe_sip: < 11> [DEBUG] <<<<<<*** message from 172.16.222.22/5060, cryp
13	0.331498	172.16.222.22	1.1.1.1	Syslog	177	USER.DEBUG: Jul 23 06:52:05 172.16.222.22 mpe_sip: < 12> [DEBUG] <<<<<< from 172.16.222.22/5060, crypt:FALSE, PHC
14	0.331959	172.16.222.22	1.1.1.1	Syslog	907	USER.DEBUG: Jul 23 06:52:05 172.16.222.22 mpe_sip: < 13> [DEBUG] INVITE sip:10086@172.16.222.22/5060 SIP/2.0\r\n
15	0.332307	172.16.222.22	1.1.1.1	Syslog	122	USER.DEBUG: Jul 23 06:52:05 172.16.222.22 mpe_sip: < 14> [DEBUG] get route entry 31\r\n\r\n
16	0.332584	172.16.222.22	1.1.1.1	Syslog	111	USER.DEBUG: Jul 23 06:52:05 172.16.222.22 mpe_sip: < 15> [DEBUG] !port:3\r\n\r\n
17	0.332848	172.16.222.22	1.1.1.1	Syslog	124	USER.DEBUG: Jul 23 06:52:05 172.16.222.22 mpe_sip: < 16> [DEBUG] get route, to port:3\r\n\r\n
18	0.333315	172.16.222.22	1.1.1.1	Syslog	526	USER.DEBUG: Jul 23 06:52:05 172.16.222.22 mpe_sip: < 17> [DEBUG] sip->>app: localindex:69, msgtype:SIP_CALL_INV
19	0.333603	172.16.222.22	1.1.1.1	Syslog	173	USER.DEBUG: Jul 23 06:52:05 172.16.222.22 mpe_sip: < 18> [DEBUG] --->> to 172.16.222.22/5060 crypt:FALSE Phone
20	0.333877	172.16.222.22	1.1.1.1	Syslog	386	USER.DEBUG: Jul 23 06:52:05 172.16.222.22 mpe_sip: < 19> [DEBUG] SIP/2.0 100 Trying\r\n\r\nvia: SIP/2.0/UDP 172.16.
21	0.346687	172.16.222.22	1.1.1.1	Syslog	131	USER.DEBUG: Jul 23 06:52:05 172.16.222.22 mpe_sip: < 20> [DEBUG] RTP: alg:0, pkt:20, band:-1\r\n\r\n
22	0.347453	172.16.222.22	1.1.1.1	Syslog	120	USER.DEBUG: Jul 23 06:52:05 172.16.222.22 mpe_sip: < 21> [DEBUG] d1al tick:102433\r\n\r\n
23	7.232839	172.16.222.22	1.1.1.1	Syslog	533	USER.DEBUG: Jul 23 06:52:12 172.16.222.22 mpe_sip: < 22> [DEBUG] <<<<<<*** message from 172.16.222.22/5060, cryp
24	7.233513	172.16.222.22	1.1.1.1	Syslog	177	USER.DEBUG: Jul 23 06:52:12 172.16.222.22 mpe_sip: < 23> [DEBUG] <<<<<< from 172.16.222.22/5060, crypt:FALSE, PHC
25	7.233959	172.16.222.22	1.1.1.1	Syslog	457	USER.DEBUG: Jul 23 06:52:12 172.16.222.22 mpe_sip: < 24> [DEBUG] CANCEL sip:10086@172.16.222.22/5060 SIP/2.0\r\n
26	7.234596	172.16.222.22	1.1.1.1	Syslog	287	USER.DEBUG: Jul 23 06:52:12 172.16.222.22 mpe_sip: < 25> [DEBUG] sip->>app: localindex:69, msgtype:SIP_CALL_BYE

DSP Capture:

DSP capture helps to analyze voice stream inside DSP chipset. The DSP chipset will handle RTP from IP network as well as voice stream from analog phone.

Figure 4-60 Capture DSP Packages



- ◆ Click Start to enable DSP capture
- ◆ Dialing out through the device, start talking a short while then hang up the call.
- ◆ Click Stop to disable DSP capture
- ◆ Save the capture to local computer

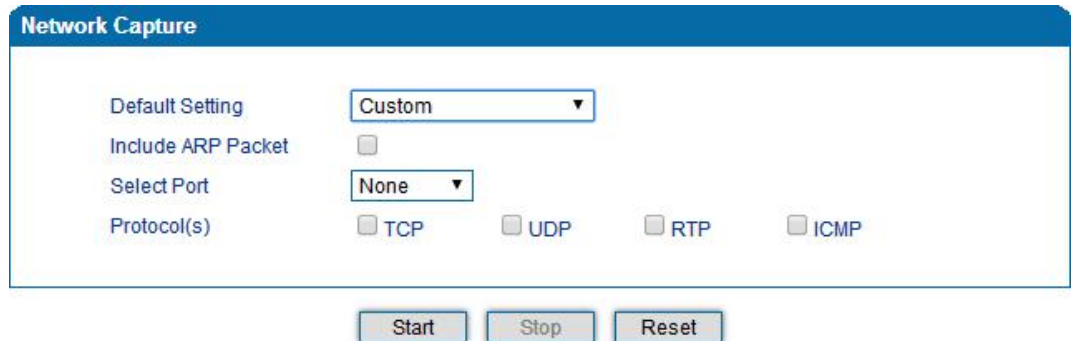
The captured package is named ‘capture(x).pcap’, among which x is the serial number of the capturing and will be added 1 in next time. The sample of RTP capture as below:

No.	Time	Source	Destination	Protocol	Length	Info
1	0.000000	Motorola_Ic:1d:1e	Cimsys_33:44:55	CSM_ENC_APS	104	--> 0x0021 Ch: 0xFFFF, Seq: 2 (From Host)
2	0.007246	Cimsys_33:44:55	Motorola_Ic:1d:1e	Ethernet	20	Ethernet II[Malformed Packet] Ch: 0xFFFF, Seq: 5 (From Host)
3	0.007260	Cimsys_33:44:55	Motorola_Ic:1d:1e	CSM_ENC_APS	44	--> 0x0021 Ch: 0xFFFF, Seq: 5 (From Host)
4	2.994581	Motorola_Ic:1d:1e	Cimsys_33:44:55	CSM_ENC_APS	104	--> 0x0021 Ch: 0xFFFF, Seq: 4 (From Host)
5	2.997308	Cimsys_33:44:55	Motorola_Ic:1d:1e	Ethernet	20	Ethernet II[Malformed Packet] Ch: 0xFFFF, Seq: 6 (From Host)
6	2.997316	Cimsys_33:44:55	Motorola_Ic:1d:1e	CSM_ENC_APS	44	--> 0x0021 Ch: 0xFFFF, Seq: 6 (From Host)
7	5.992790	Motorola_Ic:1d:1e	Cimsys_33:44:55	CSM_ENC_APS	104	--> 0x0021 Ch: 0xFFFF, Seq: 4 (From Host)
8	5.997282	Cimsys_33:44:55	Motorola_Ic:1d:1e	Ethernet	20	Ethernet II[Malformed Packet] Ch: 0xFFFF, Seq: 7 (From Host)
9	5.997290	Cimsys_33:44:55	Motorola_Ic:1d:1e	CSM_ENC_APS	44	--> 0x0021 Ch: 0x0003, Seq: 3 (From Host)
10	7.691428	Motorola_Ic:1d:1e	Cimsys_33:44:55	CSM_ENC_APS	104	--> 0x0010 Ch: 0x0003, Seq: 4 (From Host)
11	7.691552	Cimsys_33:44:55	Motorola_Ic:1d:1e	Ethernet	20	Ethernet II[Malformed Packet] Ch: 0x0003, Seq: 1 (To Host)
12	7.691715	Cimsys_33:44:55	Motorola_Ic:1d:1e	CSM_ENC_APS	30	--> 0x9010 Ch: 0x0003, Seq: 4 (From Host)
13	7.701379	Motorola_Ic:1d:1e	Cimsys_33:44:55	CSM_ENC_APS	104	--> 0x9000 Ch: 0x0003, Seq: 4 (From Host)
14	7.701494	Cimsys_33:44:55	Motorola_Ic:1d:1e	Ethernet	20	Ethernet II[Malformed Packet] Ch: 0x0003, Seq: 2 (To Host)
15	7.701622	Cimsys_33:44:55	Motorola_Ic:1d:1e	CSM_ENC_APS	30	--> 0x9000 Ch: 0x0003, Seq: 5 (From Host)
16	7.709662	Motorola_Ic:1d:1e	Cimsys_33:44:55	CSM_ENC_APS	104	--> 0x8084 Ch: 0x0003, Seq: 3 (To Host)
17	7.709798	Cimsys_33:44:55	Motorola_Ic:1d:1e	Ethernet	30	--> 0x8084 Ch: 0x0003, Seq: 6 (From Host)
18	7.709902	Cimsys_33:44:55	Motorola_Ic:1d:1e	CSM_ENC_APS	30	--> 0x8001 Ch: 0x0003, Seq: 4 (To Host)
19	7.710238	Motorola_Ic:1d:1e	Cimsys_33:44:55	CSM_ENC_APS	104	--> 0x8018 Ch: 0x0003, Seq: 6 (From Host)
20	7.710328	Cimsys_33:44:55	Motorola_Ic:1d:1e	Ethernet	20	Ethernet II[Malformed Packet] Ch: 0x0003, Seq: 4 (To Host)
21	7.710496	Cimsys_33:44:55	Motorola_Ic:1d:1e	CSM_ENC_APS	30	--> 0x8018 Ch: 0x0003, Seq: 7 (From Host)
22	7.716241	Motorola_Ic:1d:1e	Cimsys_33:44:55	CSM_ENC_APS	104	--> 0x8018 Ch: 0x0003, Seq: 5 (To Host)
23	7.716352	Cimsys_33:44:55	Motorola_Ic:1d:1e	Ethernet	20	Ethernet II[Malformed Packet] Ch: 0x0003, Seq: 5 (To Host)
24	7.716465	Cimsys_33:44:55	Motorola_Ic:1d:1e	CSM_ENC_APS	30	--> 0x8018 Ch: 0x0003, Seq: 8 (From Host)
25	7.716711	Motorola_Ic:1d:1e	Cimsys_33:44:55	CSM_ENC_APS	104	--> 0x805b

Customized Capture:

This menu provides more options to capture specific packages according to actually needs.

Figure 4-61 Customized Capturing

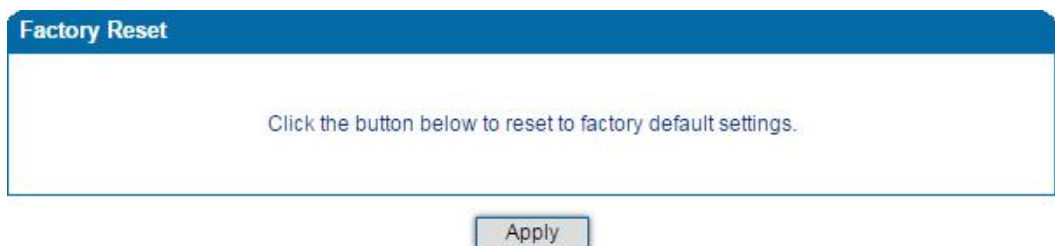


The screenshot shows the 'Network Capture' configuration panel. It includes a 'Default Setting' dropdown menu set to 'Custom', an 'Include ARP Packet' checkbox which is unchecked, a 'Select Port' dropdown menu set to 'None', and a 'Protocol(s)' section with four unchecked checkboxes: TCP, UDP, RTP, and ICMP. At the bottom of the panel are three buttons: 'Start', 'Stop', and 'Reset'.

4.12.8 Factory Reset

Click 'Apply' to restore configurations of the device to the factory default settings.

Figure 4-62 Reset Device to Factory Default Setting

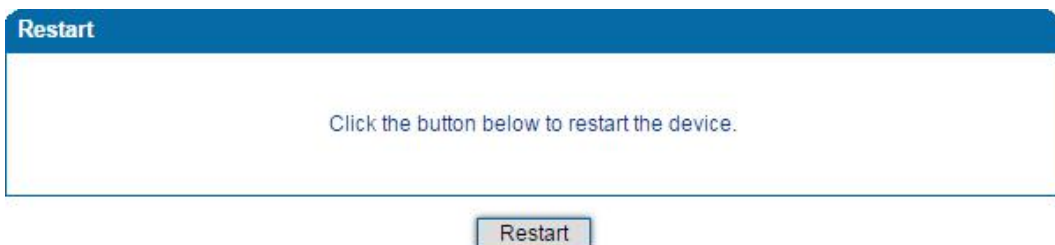


The screenshot shows the 'Factory Reset' configuration panel. It contains a single instruction: 'Click the button below to reset to factory default settings.' Below this instruction is an 'Apply' button.

4.12.9 Device Restart

For some configurations or changes to the SNR-VG-1000 device, you are required to restart the device for the configurations or changes to take effect.

Figure 4-63 Restart Device



The screenshot shows the 'Restart' configuration panel. It contains a single instruction: 'Click the button below to restart the device.' Below this instruction is a 'Restart' button.

5 Glossary

Abbr.	Full Name
ARP	Address Resolution Protocol
CID	Caller Identity
DNS	Domain Name System
DND	Do NOT Disturb
DTMF	DTMF : Dual Tone Multi Frequency
DHCP	Dynamic Host Configuration Protocol
DMZ	Demilitarized Zone
DDNS	Dynamic Domain Name Server
DSP	Digital Signal Process
NTP	Network Time Protocol
PPPOE	Point-to-point Protocol over Ethernet
PSTN	Public Switched Telephone Network
PCM	Pulse Code Modulation
QoS	Quality of Service
VLAN	Virtual Local Area Network
SIP	Session Initiation Protocol
STUN	Simple Traversal of UDP over NAT
SNMP	Simple Network Management Protocol
RTP	Real Time Protocol
UDP	User Datagram Protocol