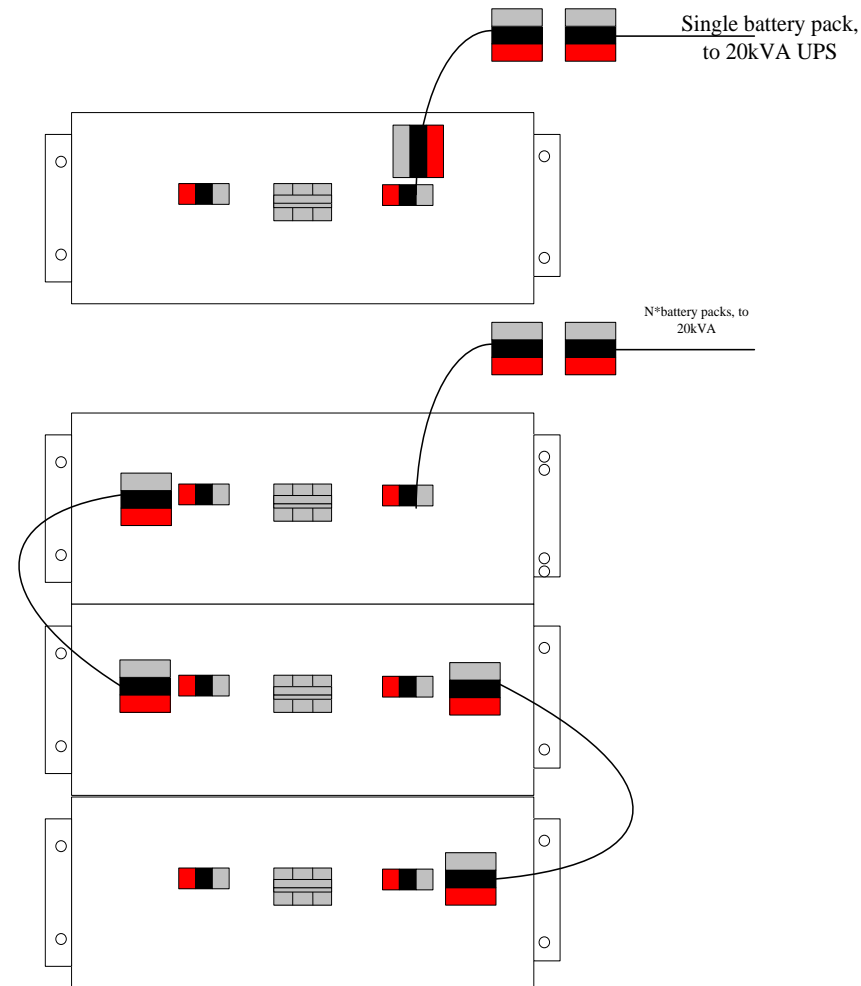


User Manual

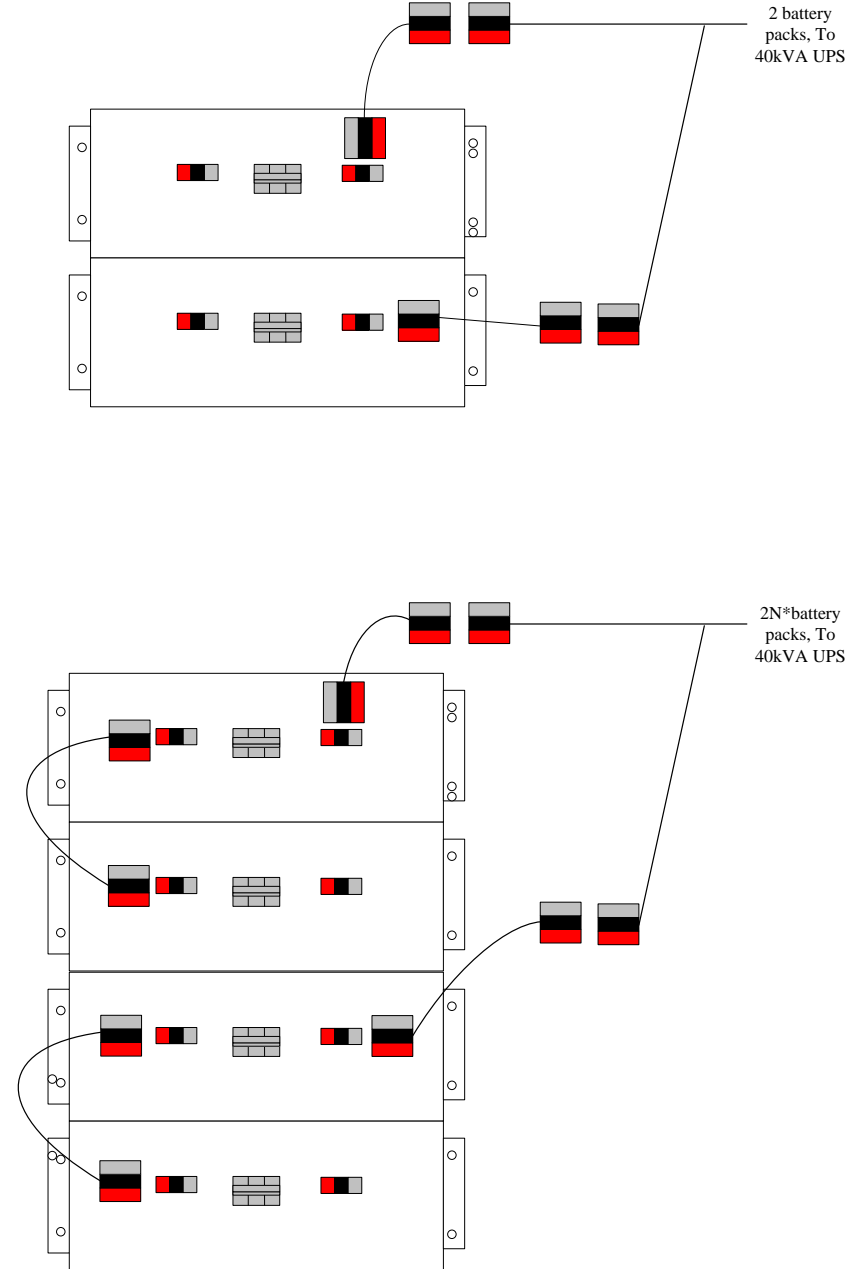
Battery Cabinet

■ Installation

Connect to 10-20kVA UPS



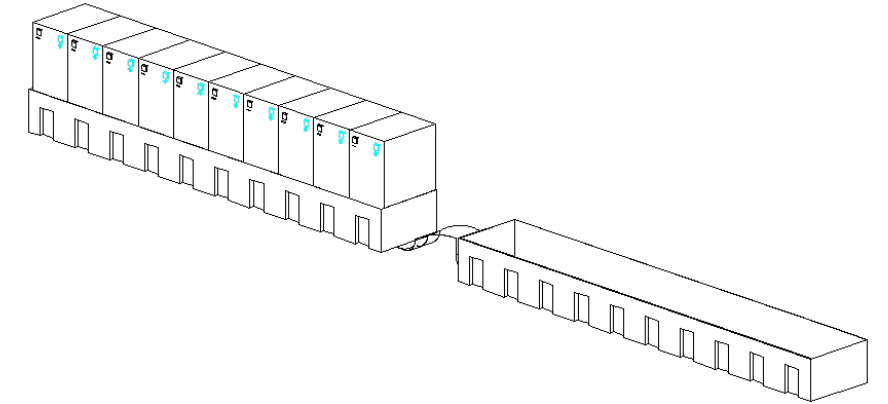
Connect to 30-40kVA UPS



■ BATTERY Installation and Maintenance

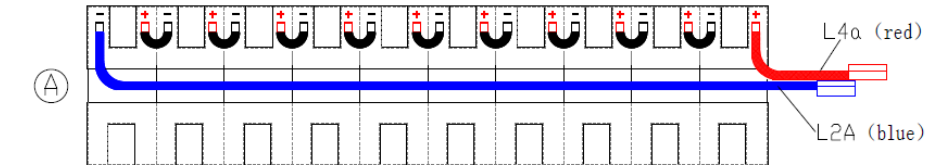
step 1: remove front panel and take out plastic shell

step 2: remove the film of cohesive tape and then put 10 blocks of batteries on bottom shell to paste on it.

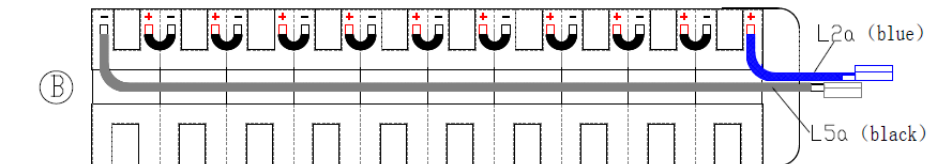


step 3: connect battery cables as below

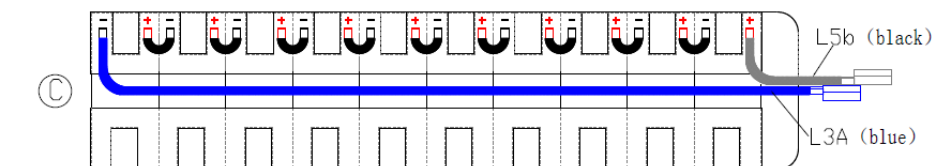
battery pack A:



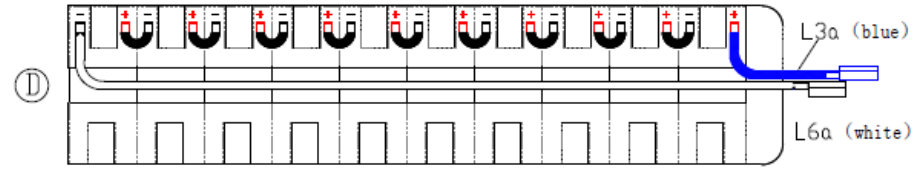
battery pack B:



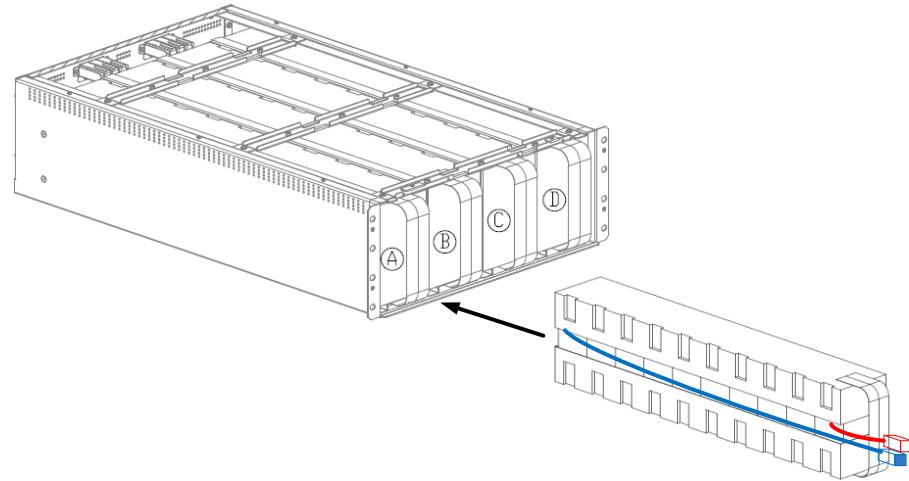
battery pack C:



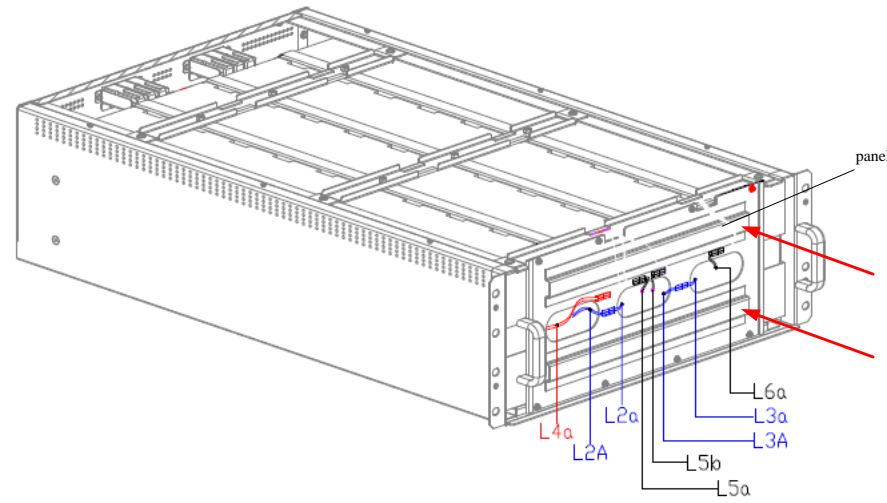
battery pack D:



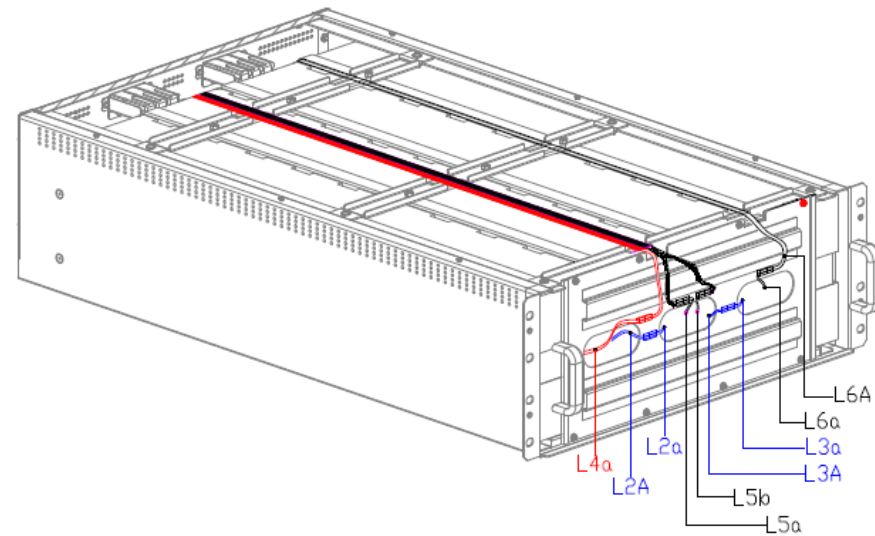
step 4: paste the top shell of battery packs. Insert battery packs **A, B, C, D** into battery cabinet from left to right



step 5: assemble the inner panel, all cables cross through the holes on panel as below

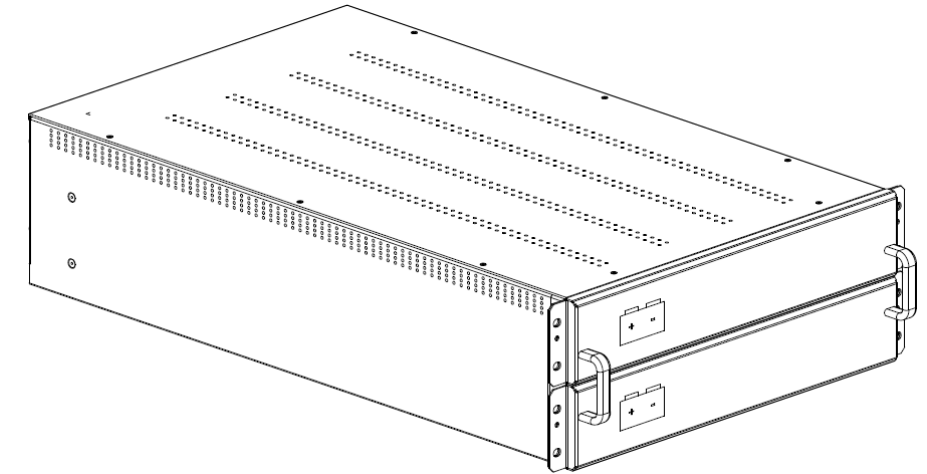


step 6: connect all cables as below



step 7: close battery breaker on rear panel, check if the voltage of terminal is OK.

step 8: open battery breaker, cover the front panel.



WARN:

Battery voltage is higher than 400VDC, special care should be taken when working with the battery cabinet.



NOTICE:

The weight of cabinet is more than 100kg with batteries in it, please move it with tool. OR move off all batteries and then move cabinet.