

# SNR-SFP+ZR-100

SFP+ ZR series

## SNR-SFP+ZR-100 Series

1550nm SFP+ single-Mode Transceiver, With Diagnostic Monitoring

Duplex SFP+ Transceiver

RoHS 6 Compliant

### Features

- ◆ 1550nm cooled EML Transmitter
- ◆ High sensitivity APD Receiver
- ◆ Distance up to 100km over SMF
- ◆ Single 3.3V Power supply and TTL Logic Interface ◆ Duplex LC Connector Interface



- ◆ Hot Pluggable
- ◆ STM64/OC192
- ◆ Power Dissipation < 1.5 W
- ◆ 10GBASE-ER/EW
- ◆ Operating Case Temperature
- ◆ 10G FC
- Standard: 0°C~+70°C
- ◆ Other Optical Links
- ◆ Compliant with SFF-8431 MSA
- ◆ Compliant with SFF-8432 MSA
- ◆ Compliant with SFF-8472 MSA

### Applications

### Ordering information

Part No.	Data Rate	Laser	Temp.	Distance	CDR	DDMI
SNR-SFP+ZR-100* <small>Note1</small>	Up to 11.3Gbps	1550nm EML	Standard	100km	Yes	YES

Note1: Standard version

### Regulatory Compliance

Product Certificate	Certificate Number	Applicable Standard
TUV	R50135086	EN 60950-1:2006+A11+A1+A12
		EN 60825-1:2007

# SNR-SFP+ZR-100

SFP+ ZR series

		EN 60825-2:2004+A1+A2
UL	E317337	UL 60950-1
		CSA C22.2 No. 60950-1-07
EMC CE	AE 50135430 0001	EN 55022:2006
		EN 55024:1998+A1+A2
CB	JPTUV-024038-M1	IEC 60825-2
		IEC 60950-1
FCC	WTF13F0503735E	47 CFR PART 15 OCT., 2010
	WTF13F0503732E	47 CFR PART 15 OCT., 2010
FDA	1230816-000	CDRH 1040.10
ROHS	RLSZF00163462	2011/65/EU

## Product Description

The SNR-SFP+ZR-100 series single mode transceiver is small form factor pluggable module for duplex optical data communications of 10G. It is with the SFP+ 20-pin connector to allow hot plug capability.

This module is designed for single mode fiber and operates at a nominal wavelength of 1550 nm. The transmitter section uses a 1550nm EML, which is class 1 laser compliant according to International Safety Standard IEC-60825.

The receiver section uses an integrated InGaAs detector preamplifier (IDP) mounted in an optical header and a limiting post-amplifier IC.

## Absolute Maximum Ratings<sup>\*note2</sup>

Parameter	Symbol	Min.	Max.	Unit
Storage Temperature	$T_s$	-40	+85	°C
Supply Voltage	$V_{CC}$	-0.5	3.6	V

\*Note2: Exceeding any one of these values may destroy the device permanently.

## Recommended Operating Conditions

Parameter	Symbol	Min.	Typical	Max.	Unit
Operating Case Temperature	$T_c$	0		+70	°C
Power Supply Voltage	$V_{CC}$	3.135	3.3	3.465	V
Power Supply Current	$I_{CC}$			455	mA
Surge Current	$I_{Surge}$			+30	mA
Baud Rate				11.3	Gbit/s

# SNR-SFP+ZR-100

SFP+ ZR series

## Performance Specifications - Electrical

Parameter	Symbol	Min.	Typ.	Max	Unit	Notes
<b>Transmitter</b>						
CML Inputs(Differential)	Vin	150		1200	mVpp	AC coupled inputs
Input Impedance (Differential)	Zin	85	100	115	ohms	Rin > 100 kohms @ DC
Tx_DISABLE Input Voltage - High		2		Vcc+0.3	V	
Tx_DISABLE Input Voltage - Low		0		0.8	V	
Tx_FAULT Output Voltage - High		2		Vcc+0.3	V	Io = 400µA; Host Vcc
Tx_FAULT Output Voltage - Low		0		0.5	V	Io = -4.0mA
<b>Receiver</b>						
CML Outputs (Differential)	Vout	350		700	mVpp	AC coupled outputs
Output Impedance (Differential)	Zout	85	100	115	ohms	
Rx_LOS Output Voltage - High		2		Vcc+0.3	V	Io = 400µA; Host Vcc
Rx_LOS Output Voltage - Low		0		0.8	V	Io = -4.0mA
MOD_DEF ( 2:0 )	VoH	2.5			V	With Serial ID
	VoL	0		0.5	V	

## Optical and Electrical Characteristics

Parameter	Symbol	Min.	Typical	Max.	Unit
9µm Core Diameter SMF			100		km
<b>Transmitter</b>					
Centre Wavelength	$\lambda_c$	1520	1550	1580	nm
Spectral Width (-20dB)	$\Delta\lambda$			1	nm
Side Mode Suppression Ratio	SMSR	30			dB

# SNR-SFP+ZR-100

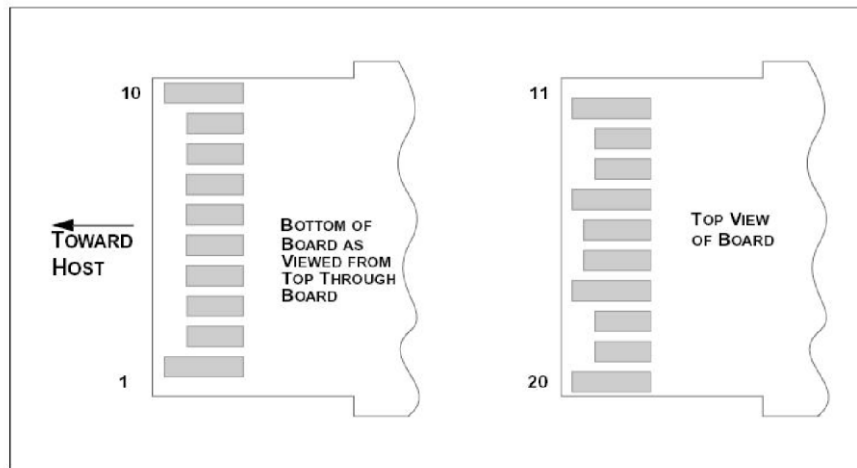
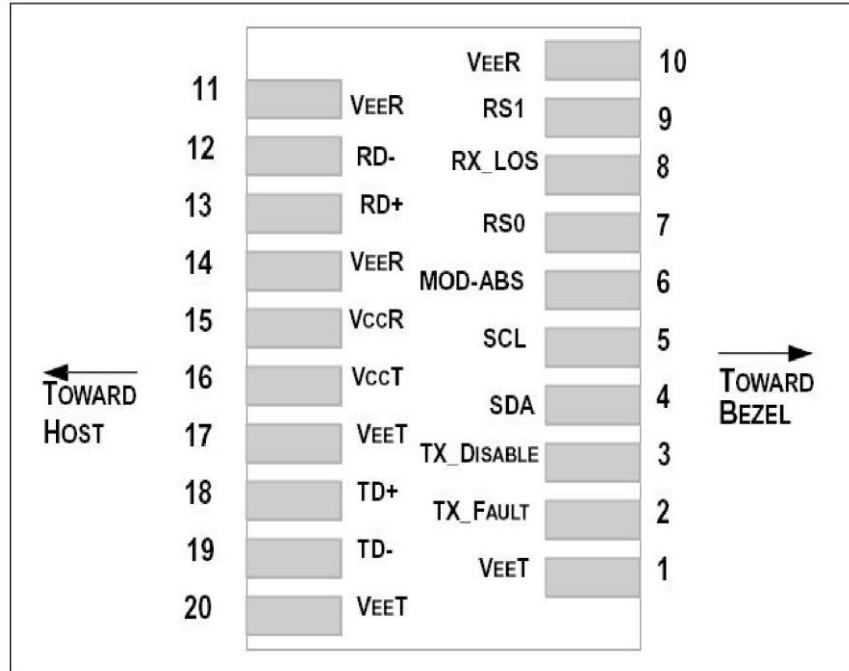
SFP+ ZR series

Average Output Power* <sup>Note3</sup>	$P_{out, AVG}$	1.5		5	dBm
Extinction Ratio, SNR-SFP+ZR-100	ER	8.2			dB
Average Power of OFF Transmitter				-30	dBm
Relative Intensity Noise	RIN			-128	dB/Hz
Input Differential Impedance	$Z_{IN}$	90	100	110	$\Omega$
TX Disable Assert Time	$t_{off}$			10	us
<b>Receiver</b>					
Centre Wavelength	$\lambda_C$	1260		1600	nm
Sensitivity* <sup>Note4</sup>	$P_{IN}$			-24.5	dBm
Receiver Overload	$P_{MAX}$	-8			dBm
Output Differential Impedance	$P_{IN}$	90	100	110	$\Omega$
LOS De-Assert	$LOS_D$			-26	dBm
LOS Assert	$LOS_A$	-38			dBm

Note3: Output is coupled into a 9/125um SMF.

Note4: Minimum average optical power measured at the BER less than 1E-12, 10.3Gbps, back to back. The measure pattern is PRBS 2<sup>31</sup>-1.

## SFP+ Transceiver Electrical Pad Layout



### Pin Function Definitions

Pin Num.	Name	FUNCTION	Plug Seq.	Notes
1	VeeT	Transmitter Ground	1	Note 5
2	TX Fault	Transmitter Fault Indication	3	Note 1
3	TX Disable	Transmitter Disable	3	Note 2, Module disables on high or open
4	SDA	Module Definition 2	3	2-wire Serial Interface Data Line.
5	SCL	Module Definition 1	3	2-wire Serial Interface Clock.

# SNR-SFP+ZR-100

SFP+ ZR series

6	MOD_ABS	Module Definition 0	3	Note 3
7	RS0	RX Rate Select (LVTTTL).	3	Rate Select 0, optionally controls SFP+ module receiver. This pin is pulled low to VeeT with a >30K resistor..
8	LOS	Loss of Signal	3	Note 4
9	RS1	TX Rate Select (LVTTTL).	1	Rate Select 1, optionally controls SFP+ module transmitter. This pin is pulled low to VeeT with a >30K resistor.
10	VeeR	Receiver Ground	1	Note 5
11	VeeR	Receiver Ground	1	Note 5
12	RD-	Inv. Received Data Out	3	Note 6
13	RD+	Received Data Out	3	Note 6
14	VeeR	Receiver Ground	1	Note 5
15	VccR	Receiver Power	2	3.3 ± 5%, Note 7
16	VccT	Transmitter Power	2	3.3 ± 5%, Note 7
17	VeeT	Transmitter Ground	1	Note 5
18	TD+	Transmit Data In	3	Note 8
19	TD-	Inv. Transmit Data In	3	Note 8
20	VeeT	Transmitter Ground	1	Note 5

## Notes:

1) TX Fault is an open collector/drain output, which should be pulled up with a 4.7K – 10KΩ resistor on the host board. Pull up voltage between 2.0V and VccT/R+0.3V. When high, output indicates a laser fault of some kind. Low indicates normal operation. In the low state, the output will be pulled to < 0.8V.

2) TX disable is an input that is used to shut down the transmitter optical output. It is pulled up within the module with a 4.7K – 10 KΩ resistor. Its states are:

Low (0 – 0.8V): Transmitter on

(>0.8, < 2.0V): Undefined

High (2.0 – 3.465V): Transmitter Disabled

Open: Transmitter Disabled

# SNR-SFP+ZR-100

## SFP+ ZR series

- 3) Module Absent, connected to VeeT or VeeR in the module.
- 4) LOS (Loss of Signal) is an open collector/drain output, which should be pulled up with a 4.7K – 10K $\Omega$  resistor. Pull up voltage between 2.0V and  $V_{ccT}/R+0.3V$ . When high, this output indicates the received optical power is below the worst-case receiver sensitivity (as defined by the standard in use). Low indicates normal operation. In the low state, the output will be pulled to < 0.8V.
- 5) The module signal ground contacts, VeeR and VeeT, should be isolated from the module case.
- 6) RD-/+ : These are the differential receiver outputs. They are AC coupled 100 $\Omega$  differential lines which should be terminated with 100 $\Omega$  (differential) at the user SERDES. The AC coupling is done inside the module and is thus not required on the host board. The voltage swing on these lines will be between 350 and 700 mV differential (175 –350 mV single ended) when properly terminated.
- 7) VccR and VccT are the receiver and transmitter power supplies. They are defined as 3.3V  $\pm 5\%$  at the SFP+ connector pin. Maximum supply current is 725mA. Recommended host board power supply filtering is shown below. Inductors with DC resistance of less than 1 ohm should be used in order to maintain the required voltage at the SFP+ input pin with 3.3V supply voltage. When the recommended supply-filtering network is used, hot plugging of the SFP+ transceiver module will result in an inrush current of no more than 30mA greater than the steady state value. VccR and VccT may be internally connected within the SFP+ transceiver module.
- 8) TD-/+ : These are the differential transmitter inputs. They are AC-coupled, differential lines with 100 $\Omega$  differential termination inside the module. The AC coupling is done inside the module and is thus not required on the host board. The inputs will accept differential swings of 150 – 1200 mV (75 – 600mV single-ended).

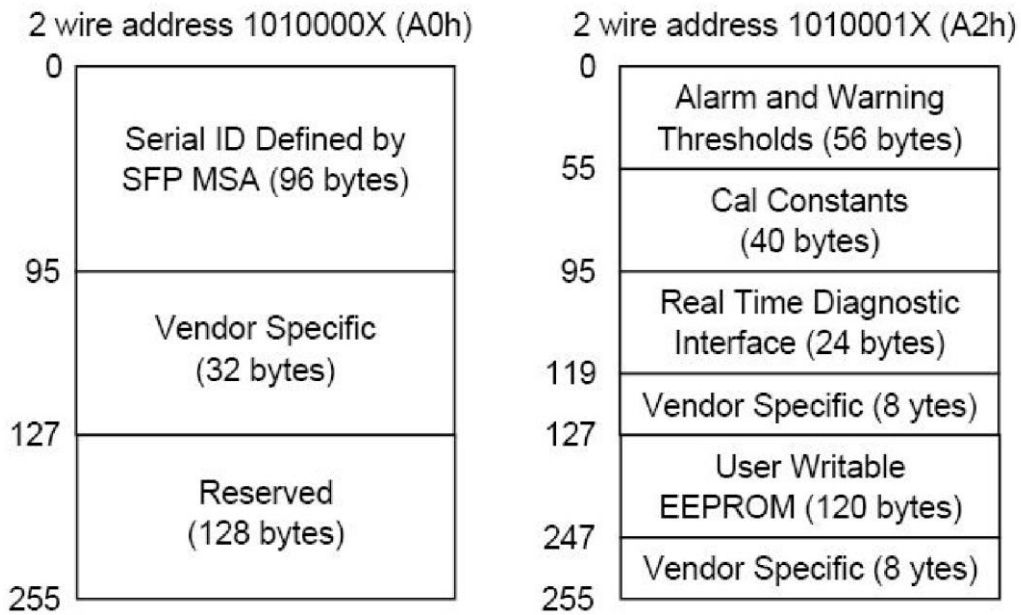
## EEPROM

The serial interface uses the 2-wire serial CMOS EEPROM protocol defined for the ATMEL AT24C02/04 family of components. When the serial protocol is activated, the host generates the serial clock signal (SCL). The positive edge clocks data into those segments of the EEPROM that are not writing protected within the SFP+ transceiver. The negative edge clocks data from the SFP+ transceiver. The serial data signal (SDA) is bi-directional for serial data transfer. The host uses SDA in conjunction with SCL to mark the start and end of serial protocol activation. The memories are organized as a series of 8-bit data words that can be addressed individually or sequentially.

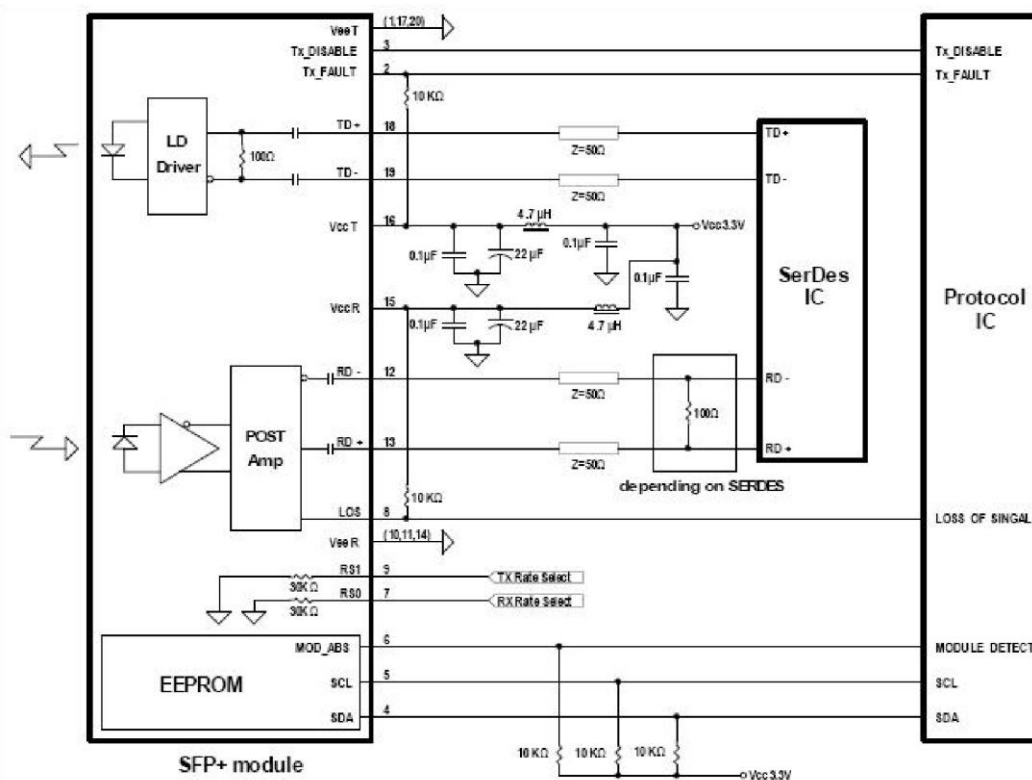
The Module provides diagnostic information about the present operating conditions. The transceiver generates this diagnostic data by digitization of internal analog signals. Calibration and alarm/warning threshold data is written during device manufacture. Received power monitoring, transmitted power monitoring, bias current monitoring, supply voltage monitoring and temperature monitoring all are implemented. If the module is defined as external calibrated, the diagnostic data are raw A/D values and must be converted to real world units using calibration constants stored in EEPROM locations 56 – 95 at wire serial bus address A2h. The digital diagnostic memory map specific data field define as following .For detail EEPROM information, please refer to the related document of SFF 8472 Rev 10.2.

# SNR-SFP+ZR-100

SFP+ ZR series



## Recommend Circuit Schematic

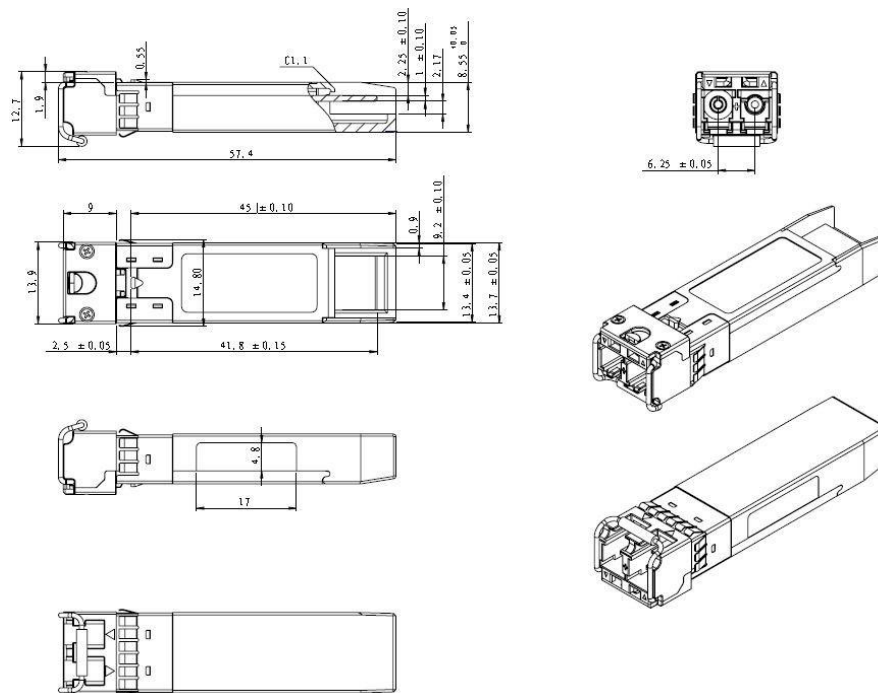




# SNR-SFP+ZR-100

SFP+ ZR series

## Mechanical Specifications\*



## Eye Safety

This single-mode transceiver is a Class 1 laser product. It complies with IEC-60825 and FDA 21 CFR 1040.10 and 1040.11. The transceiver must be operated within the specified temperature and voltage limits. The optical ports of the module shall be terminated with an optical connector or with a dust plug.

## GUARANTEE:



## CONTACT:

# SNR-SFP+ZR-100

SFP+ ZR series

---

**Address:** Building 56/2, Predelnaya Street, Yekaterinburg, Russia

**Tel:** +7(343) 379-98-38

**Fax:** +7(343) 379-98-38

**E-mail:** [info@nag.ru](mailto:info@nag.ru)

**Online shop:** <http://shop.nag.ru>