

SNR-DWDM2-MDM-8-UPG

DWDM MUX/DMUX 8CH dualfiber with UPG-CWDM ports and AMP ports

1. Summary

No.	CISCO P/N	NAG P/N	Description
1.	EWDM-MUX8=	SNR-DWDM2-MDM-8-UPG	8-channels (ITU CH21, 22, 23, 43, 44, 46, 47, 48) with Upgrade Port for CWDM 1470,1490,1510,1530,1550,1570,1590, and 1610nm, with AMP port for EDFA (booster). Mux + Demux, with LC duplex adaptors.

2. SNR-DWDM2-MDM-8-UPG

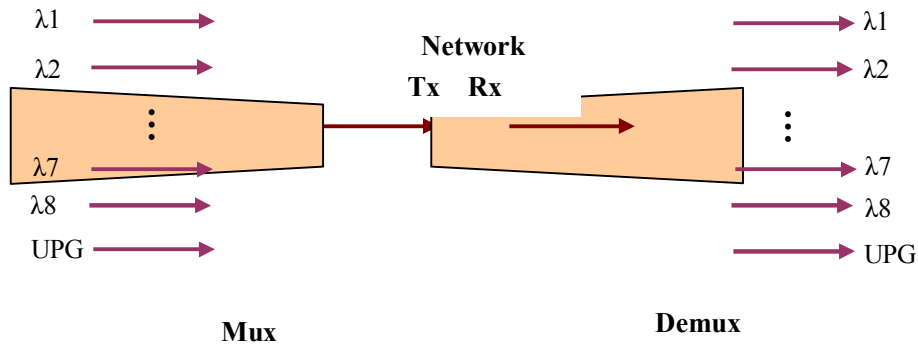
Feature:

- Low Insertion Loss
- High Channel Isolation
- High Stability and Reliability
- Epoxy Free Optical Path

Application:

- WDM Network
- Telecommunication
- Metro Network
- Access System

Function:

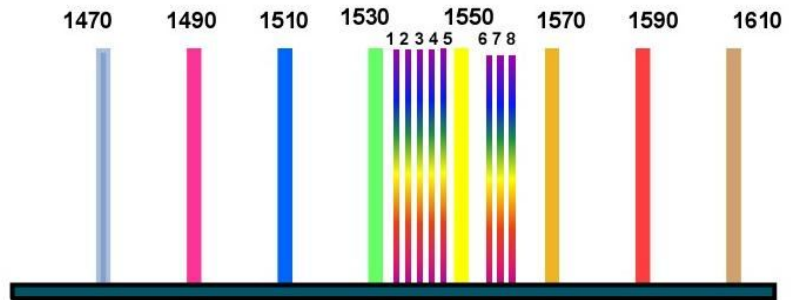


SNR-DWDM2-MDM-8-UPG

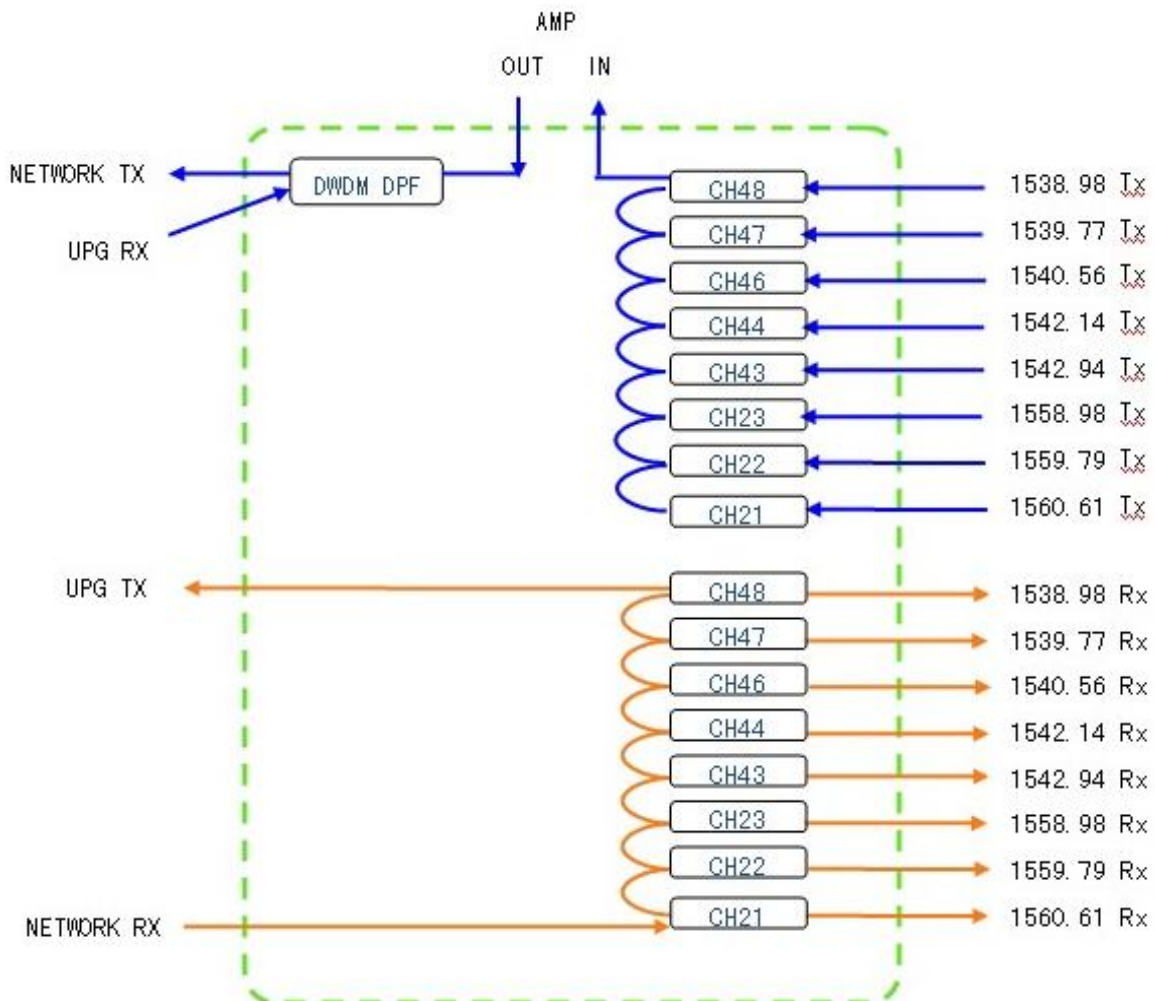
DWDM MUX/DMUX 8CH dualfiber with UPG-CWDM ports and AMP ports

Channel Plan and Working Wavelength:

Channel ID	Wavelength (nm)
1	1538.98
2	1539.77
3	1540.56
4	1542.14
5	1542.94
6	1558.98
7	1559.79
8	1560.61



Inner Structure:



Performance Specification:

SNR-DWDM2-MDM-8-UPG

DWDM MUX/DMUX 8CH dualfiber with UPG-CWDM ports and AMP ports

Parameter		Specification	
		Mux	Demux
Channel Number		8	8
Operating Wavelength (nm)	DWDM Port	ITU Channel 21, 22, 23, 43, 44, 46, 47, 48	
	UPG Port	CWDM 1470~1610	
Center Wavelength Accuracy (nm)		±0.5 for CWDM; ±0.05 for DWDM	
Bandwidth @-0.5dB (nm)		>14 for CWDM; >0.24 for DWDM	
Insertion Loss (dB)	DWDM Port	<3.5	<2.7
	UPG-CWDM Port	<1.0	<2.2
Ripple in pass band (dB)		<0.5	
Adjacent Channel Isolation (dB)		>30	
Non-Adjacent Channel Isolation (dB)		>40	
TDL (dB)		<0.5	
PDL (dB)		<0.2	
PMD (ps)		<0.2	
Directivity (dB)		>45	
Return Loss (dB)		>45	
Operating Temperature (°C)		-10~70	
Storage Temperature (°C)		-40~85	
Connector Type		LC/UPC	
Fiber Type		SMF-28e	
Packaging Dimension		LGX Box: 217×195×26mm 19inch 2 slot 1U Chassis, 429x232x43.6mm	

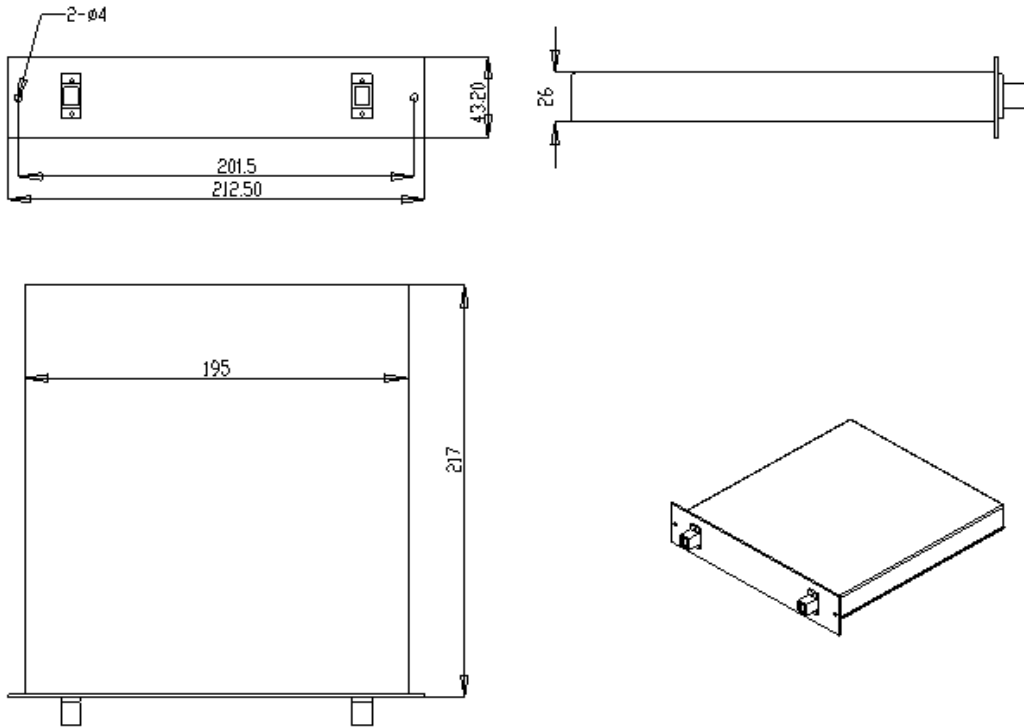
Notes: All Parameters are excluding connectors. IL will increase 0.3dB with connectors

SNR-DWDM2-MDM-8-UPG

DWDM MUX/DMUX 8CH dualfiber with UPG-CWDM ports and AMP ports

Package Dimensions:

1. 1/2-Slot:



1. 1U-Chassis:

