

CloudEngine S6730-H Series 10GE Switches

Huawei CloudEngine S6730-H series 10GE switches are next-generation enterprise-class core and aggregation switches that provide 10GE downlink optical ports and 100GE uplink optical ports.

Product Overview

Huawei CloudEngine S6730-H series switches are next-generation enterprise-class core and aggregation switches that offer high performance, high reliability, cloud management, and intelligent operations and maintenance (O&M). They build on an industry-leading Versatile Routing Platform (VRP) and are purpose-built with security, IoT, and cloud in mind. With these traits, CloudEngine S6730-H can be widely used in enterprise campuses, colleges/universities, data centers, and other scenarios.


CloudEngine S6730-H switches offer 10GE, 25GE, 40GE, and 100GE port types, flexibly adapting to diversified network bandwidth requirements. They also support cloud management and implement cloud-managed network services throughout the full lifecycle from planning, deployment, monitoring, experience visibility, and fault rectification, all the way to network optimization, greatly simplifying network management.



By integrating the native wireless access controller (WAC) capability, a single CloudEngine S6730-H switch can manage a vast number of wireless access points (APs). The results are simplified network architecture, fewer required devices, and lowered networking costs. Free mobility, another key differentiator of CloudEngine S6730-H, enables consistent user experience no matter the user location or IP address, fully meeting enterprises' demands for mobile offices.

CloudEngine S6730-H switches support VXLAN to implement network virtualization, achieving multi-purpose networks and multi-network convergence for greatly improved network capacity and utilization. As such, CloudEngine S6730-H switches are an ideal choice for building next-generation IoT converged networks in terms of cost, flexibility, and scalability.

The full series of CloudEngine S6730-H switches have built-in security probes to enable abnormal traffic detection, analysis of threats even in encrypted traffic, and network-wide threat deception. With such robust security features, CloudEngine S6730-H switches transform traditional passive security defense into proactive security protection, fully ensuring campus network security.

Models and Appearance

Appearance	Description
 <p>CloudEngine S6730-H48X6C</p>	<ul style="list-style-type: none"> • 48 x 10 Gig SFP+, 6 x 40/100 Gig QSFP28 • Dual pluggable power modules, 1+1 power backup • Switching capacity: 2.16Tbps/2.4Tbps <p>NOTE</p> <p>100GE QSFP28 interfaces support 40GE and 100GE optical module auto-sensing. A QSFP28 optical port cannot be split into four 10GE ports, regardless of whether the port uses a QSFP28 or QSFP+ optical module.</p> <p>The default uplink port is 40GE, which needs to be upgraded to 100GE through the license.</p>

Appearance	Description
 <p data-bbox="124 356 443 387">CloudEngine S6730-H24X6C</p>	<p data-bbox="563 174 1430 235">The value before the slash (/) refers to the device's switching capability, while the value after the slash (/) means the chip's switching capability.</p> <ul data-bbox="544 262 1123 376" style="list-style-type: none"> • 24 x 10 Gig SFP+, 6 x 40/100 Gig QSFP28 • Dual pluggable power modules, 1+1 power backup • Switching capacity: 1.68Tbps/2.4Tbps <p data-bbox="544 389 611 414">NOTE</p> <p data-bbox="563 425 1449 454">100GE QSFP28 interfaces support 40GE and 100GE optical module auto-sensing.</p> <p data-bbox="563 468 1436 528">A QSFP28 optical port cannot be split into four 10GE ports, regardless of whether the port uses a QSFP28 or QSFP+ optical module.</p> <p data-bbox="563 542 1452 602">The default uplink port is 40GE, which needs to be upgraded to 100GE through the license.</p> <p data-bbox="563 616 1430 676">The value before the slash (/) refers to the device's switching capability, while the value after the slash (/) means the chip's switching capability.</p>
 <p data-bbox="124 786 472 817">CloudEngine S6730-H24X4Y4C</p>	<ul data-bbox="544 703 1212 817" style="list-style-type: none"> • 24 x 10 Gig SFP+, 4 x 25 Gig SFP28, 4 x 100 Gig QSFP28 • Dual pluggable power modules, 1+1 power backup • Switching capacity: 1.48Tbps/2.4Tbps <p data-bbox="544 831 611 855">NOTE</p> <p data-bbox="563 869 1404 898">25GE SFP28 interfaces support 10GE and 25GE optical module auto-sensing.</p> <p data-bbox="563 911 1449 940">100GE QSFP28 interfaces support 40GE and 100GE optical module auto-sensing.</p> <p data-bbox="563 954 1436 1014">A QSFP28 optical port cannot be split into four 10GE ports, regardless of whether the port uses a QSFP28 or QSFP+ optical module.</p> <p data-bbox="563 1028 916 1057">The default uplink port is 100GE.</p> <p data-bbox="563 1070 1430 1131">The value before the slash (/) refers to the device's switching capability, while the value after the slash (/) means the chip's switching capability.</p>

Features and Highlights

Abundant Convergence

- This CloudEngine S6730-H series provides the integrated WLAN AC function that can manage 1K APs, reducing the costs of purchasing additional WLAN AC hardware. With this switch series, customers can stay ahead in the high-speed wireless era.
- The CloudEngine S6730-H series supports SVF and functions as a parent switch. With this virtualization technology, a physical network with the "Small-sized core and aggregation switches + Access switches + APs" structure can be virtualized into a "super switch", greatly simplifying network management.
- The CloudEngine S6730-H series provides excellent QoS capabilities and supports queue scheduling and congestion control algorithms. Additionally, it adopts innovative priority queuing and multi-level scheduling mechanisms to implement fine-grained scheduling of data flows, meeting service quality requirements of different user terminals and services.

Providing Granular Network Management

- The CloudEngine S6730-H series uses the Packet Conservation Algorithm for Internet (iPCA) technology that alters the traditional method of using simulated traffic for fault location. iPCA technology can monitor network quality for any service flow anywhere, anytime, without extra costs. It can detect temporary service interruptions in a very short time and can identify faulty ports accurately. This cutting-edge fault detection technology turns "extensive management" to "granular management."
- The CloudEngine S6730-H supports Two-Way Active Measurement Protocol (TWAMP) to accurately check any IP link and obtain the entire network's IP performance. This protocol eliminates the need of using a dedicated probe or a proprietary protocol.

Flexible Ethernet Networking

- In addition to traditional Spanning Tree Protocol (STP), Rapid Spanning Tree Protocol (RSTP), and Multiple Spanning Tree Protocol (MSTP), the CloudEngine S6730-H supports Huawei-developed Smart Ethernet Protection (SEP) technology and the latest Ethernet Ring Protection Switching (ERPS) standard. SEP is a ring protection protocol specific to the Ethernet link layer, and applies to various ring network topologies, such as open ring topology, closed ring topology, and cascading ring topology. This protocol is reliable, easy to maintain, and implements fast service switching within 50 milliseconds. ERPS is defined in ITU-T G.8032. It implements millisecond-level protection switching based on traditional Ethernet MAC and bridging functions.
- The CloudEngine S6730-H supports Smart Link and Virtual Router Redundancy Protocol (VRRP), which implement backup of uplinks. One CloudEngine S6730-H switch can connect to multiple aggregation switches through multiple links, significantly improving reliability of access devices.

Intelligent Stack (iStack)

- The CloudEngine S6730-H series supports the iStack function that combines multiple switches into a logical switch. Member switches in a stack implement redundancy backup to improve device reliability and use inter-device link aggregation to improve link reliability. iStack provides high network scalability. You can increase a stack's ports, bandwidth, and processing capability by simply adding member switches. iStack also simplifies device configuration and management. After a stack is set up, multiple physical switches can be virtualized into one logical device. You can log in to any member switch in the stack to manage all the member switches in it.

Cloud-based Management

- The Huawei cloud management platform allows users to configure, monitor, and inspect switches on the cloud, reducing on-site deployment and O&M manpower costs and decreasing network OPEX. Huawei switches support both cloud management and on-premise management modes. These two management modes can be flexibly switched as required to achieve smooth evolution while maximizing return on investment (ROI).

VXLAN Features

- VXLAN is used to construct a Unified Virtual Fabric (UVF). As such, multiple service networks or tenant networks can be deployed on the same physical network, and service and tenant networks are isolated from each other. This capability truly achieves 'one network for multiple purposes'. The resulting benefits include enabling data transmission of different services or customers, reducing the network construction costs, and improving network resource utilization.
- This series switches are VXLAN-capable and allow centralized and distributed VXLAN gateway deployment modes. These switches also support the BGP EVPN protocol for dynamically establishing VXLAN tunnels and can be configured using NETCONF/YANG.

Clock Synchronization

- CloudEngine S6730-H48X6C and CloudEngine S6730-H24X6C models supports the IEEE 1588v2 protocol, which implements low-cost, high-precision, and high-reliability time and clock synchronization. This feature can meet strict requirements of power and transportation industry customers on time and clock synchronization.

Link Layer Security

- CloudEngine S6730-H24X4Y4C models support MACsec. MACsec protects transmitted Ethernet data frames through identity authentication, data encryption, integrity check, and anti-replay protection, reducing the risks of information leakage and malicious network attacks. With MACsec, these switch models are able to address strict information security requirements of customers in industries such as government and finance.

Intelligent O&M

- This series switches provides telemetry technology to collect device data in real time and send the data to Huawei campus network analyzer(iMaster NCE-CampusInsight). The CampusInsight analyzes network data based on the intelligent fault identification algorithm, accurately displays the real-time network status, effectively demarcates and locates faults in a timely manner, and identifies network problems that affect user experience, accurately guaranteeing user experience.
- This series switches supports a variety of intelligent O&M features for audio and video services, including the enhanced Media Delivery Index (eMDI). With this eMDI function, the switch can function as a monitored node to periodically conduct statistics and report audio and video service indicators to the CampusInsight platform. In this way, the CampusInsight platform can quickly demarcate audio and video service quality faults based on the results of multiple monitored nodes.

Intelligent Upgrade

- Switches support the intelligent upgrade feature. Specifically, switches obtain the version upgrade path and download the newest version for upgrade from the Huawei Online Upgrade Platform (HOUP). The entire upgrade process is highly automated and achieves one-click upgrade. In addition, preloading the version is supported, which greatly shortens the upgrade time and service interruption time.
- The intelligent upgrade feature greatly simplifies device upgrade operations and makes it possible for the customer to upgrade the version independently. This greatly reduces the customer's maintenance costs. In addition, the upgrade policies on the HOUP platform standardize the upgrade operations, which greatly reduces the risk of upgrade failures.

Big Data-Powered Collaborative Security

- This series of switches supports encrypted communication analytics (ECA), a traffic identification and detection technology. ECA can precisely detect malicious traffic by efficiently identifying encrypted and non-encrypted traffic, extracting the characteristics of encrypted traffic, and sending these characteristics to HiSec Insight (a big data-powered security analysis system). Furthering to this, ECA-capable switches can work with the controller iMaster NCE-Campus to automatically isolate threats, thereby ensuring campus network security.
- This series of switches also supports network deception technology. Specifically, switches functioning as sensors can detect threats (such as IP address scanning and port scanning on the network) and lure threat traffic to the honeypot for simulated interaction with attackers. In this way, it is easy to obtain attack behaviors, extract attack tools, and analyze suspicious traffic in depth to create defense policies. Switches then work with iMaster NCE-Campus to automatically isolate threats and block the spread of attack behaviors, ensuring campus network security.

Open Programmability System(OPS)

- Open Programmability System (OPS) is an open programmable system based on the Python language. IT administrators can program the O&M functions of a switch through Python scripts to quickly innovate functions and implement intelligent O&M.

Licensing

Licensing

This series switches supports both the traditional feature-based licensing mode and the latest Huawei IDN One Software (N1 mode for short) licensing mode. The N1 mode is ideal for deploying Huawei CloudCampus Solution in the on-premises scenario, as it greatly enhances the customer experiences in purchasing and upgrading software services with simplicity.

Software Package Features in N1 Mode

Switch Functions	N1 Basic Software	N1 Foundation Software Package	N1 Advanced Software Package
Basic network functions: Layer 2 functions, IPv4, IPv6, MPLS, SVF, and others Note: For details, see the Service Features	√	√	√
Basic network automation based on the iMaster NCE-Campus: <ul style="list-style-type: none"> Basic automation: Plug-and-play, SSID, and AP group management Basic monitoring: Application visualization NE management: Image and topology management and discovery WLAN enhancement: Roaming and optimization for up to 128 APs 	x	√	√
Advanced network automation and intelligent O&M: VXLAN, user access authentication, free mobility, and	x	x	√

Switch Functions	N1 Basic Software	N1 Foundation Software Package	N1 Advanced Software Package
CampusInsight basic functions			

Note: Only V200R019C00 and later versions can support N1 mode

Product Specifications

Item	CloudEngine S6730-H48X6C	CloudEngine S6730-H24X6C	CloudEngine S6730-H24X4Y4C
Fixed ports	48 x 10 Gig SFP+, 6 x 40/100 Gig QSFP28	24 x 10 Gig SFP+, 6 x 40/100 Gig QSFP28	24 x 10 Gig SFP+, 4 x 25 Gig SFP28, 4 x 100 Gig QSFP28
Dimensions (H x W x D)	43.6 mm x 442.0 mm x 420.0 mm (1.72 in. x 17.4 in. x 16.5 in.)	43.6 mm x 442.0 mm x 420.0 mm (1.72 in. x 17.4 in. x 16.5 in.)	43.6 mm x 442.0 mm x 220.0 mm (1.72 in. x 17.4 in. x 8.66 in.)
Chassis height(U)	1U	1U	1U
Rated voltage range	<ul style="list-style-type: none"> AC input: 100 V AC to 240 V AC, 50/60 Hz High-Voltage DC input: 240 V DC DC input: -48 V DC to -60 V DC 		<ul style="list-style-type: none"> AC input: 100 V AC to 240 V AC, 50/60 Hz High-Voltage DC input: 240 V DC DC input: -48 V DC to -60 V DC
Maximum voltage range	<ul style="list-style-type: none"> AC input: 90 V AC to 290 V AC, 45 Hz to 65 Hz High-Voltage DC input: 190 V DC to 290 V DC DC input: -38.4 V DC to -72 V DC 		<ul style="list-style-type: none"> AC input: 90 V AC to 290 V AC, 45 Hz to 65 Hz High-Voltage DC input: 190 V DC to 290 V DC DC input: -38.4 V DC to -72 V DC
Maximum input current	<ul style="list-style-type: none"> AC 600W: 8A DC 1000W: 30A 		<ul style="list-style-type: none"> AC 300W: 4A DC 260W: 10A
Typical power consumption (30% of traffic load, tested according to ATIS standard)	165 W	149 W	186 W
Maximum power consumption (100% throughput, full speed of fans)	291 W	254 W	253 W
Operating temperature	-5°C to +45°C (23°F to 113°F) at an altitude of 0-1800 m (0-5906 ft.) NOTE When the altitude is 1800-5000 m (5906-16404 ft.), the highest operating temperature reduces by 1°C (1.8°F) every time the altitude increases by 220 m (722 ft.). The switch cannot be started when the ambient temperature is lower than 0°C (32°F).		
Storage temperature	-40°C to +70°C (-40°F to +158°F)		
Operating altitude	0-5000 m (0-16404 ft.)		

Item	CloudEngine S6730-H48X6C	CloudEngine S6730-H24X6C	CloudEngine S6730-H24X4Y4C
Noise (sound pressure at normal temperature)	< 65 dB(A)		< 64.5 db(A)
Power supply surge protection	<ul style="list-style-type: none"> Using AC power modules: ± 6 kV in differential mode, ± 6 kV in common mode Using DC power modules: ± 2 kV in differential mode, ± 4 kV in common mode 		
Power supply type	<ul style="list-style-type: none"> 600 W AC Power Module 1000 W DC Power Module <p>NOTE</p> <p>The S6730-H can use a single power module or double power modules for 1+1 power redundancy. Pluggable AC and DC power modules can be used together in the same switch.</p>		<ul style="list-style-type: none"> 300 W AC Power Module 260 W DC Power Module <p>NOTE</p> <p>The S6730-H can use a single power module or double power modules for 1+1 power redundancy. Pluggable AC and DC power modules can be used together in the same switch.</p>
Relative humidity	5% to 95%, noncondensing		
Fans	4, Fan modules are pluggable		3, Built-in fan
Heat dissipation	Heat dissipation with fan, intelligent fan speed adjustment		

Service Features

Except for special instructions, the following features are supported by CloudEngine S6730-H with N1 basic software.

Feature	Description
MAC	<ul style="list-style-type: none"> Up to 384K MAC address entries IEEE 802.1d standards compliance MAC address learning and aging Static, dynamic, and blackhole MAC address entries Packet filtering based on source MAC addresses
VLAN	<ul style="list-style-type: none"> 4K VLANs Guest VLANs and voice VLANs GVRP MUX VLAN VLAN assignment based on MAC addresses, protocols, IP subnets, policies, and ports VLAN mapping
ARP	<ul style="list-style-type: none"> Static ARP Dynamic ARP
IP routing	<ul style="list-style-type: none"> Static routes, RIP v1/2, RIPng, OSPF, OSPFv3, IS-IS, IS-ISv6, BGP, BGP4+, ECMP, routing policy Up to 256K FIBv4 entries Up to 80K FIBv6 entries
Interoperability	<ul style="list-style-type: none"> VLAN-Based Spanning Tree (VBST), working with PVST, PVST+, and RPVST Link-type Negotiation Protocol (LNP), similar to DTP

Feature	Description
	VLAN Central Management Protocol (VCMP), similar to VTP
Wireless service	AP access control, AP domain management, and AP configuration template management Radio management, unified static configuration, and dynamic centralized management WLAN basic services, QoS, security, and user management CAPWAP, tag/terminal location, and spectrum analysis
Ethernet loop protection	RRPP ring topology and RRPP multi-instance Smart Link tree topology and Smart Link multi-instance, providing millisecond-level protection switchover SEP ERPS (G.8032) BFD for OSPF, BFD for IS-IS, BFD for VRRP, and BFD for PIM STP (IEEE 802.1d), RSTP (IEEE 802.1w), and MSTP (IEEE 802.1s) BPDU protection, root protection, and loop protection
MPLS	MPLS L3VPN MPLS L2VPN (VPWS/VPLS) MPLS-TE MPLS QoS
IPv6 features	Neighbor Discover (ND) PMTU IPv6 Ping, IPv6 Tracert, IPv6 Telnet ACLs based on source IPv6 addresses, destination IPv6 addresses, Layer 4 ports, or protocol types Multicast Listener Discovery snooping (MLDv1/v2) IPv6 addresses configured for sub-interfaces, VRRP6, DHCPv6, and L3VPN
Multicast	IGMP v1/v2/v3 snooping and IGMP fast leave Multicast forwarding in a VLAN and multicast replication between VLANs Multicast load balancing among member ports of a trunk Controllable multicast Port-based multicast traffic statistics IGMP v1/v2/v3, PIM-SM, PIM-DM, and PIM-SSM MSDP Multicast VPN
QoS/ACL	Rate limiting in the inbound and outbound directions of a port Packet redirection Port-based traffic policing and two-rate three-color CAR Eight queues on each port DRR, SP, and DRR+SP queue scheduling algorithms WRED Re-marking of the 802.1p and DSCP fields of packets Packet filtering at Layer 2 to Layer 4, filtering out invalid frames based on the source MAC address, destination MAC address, source IP address, destination IP address, TCP/UDP source/destination port number, protocol type, and VLAN ID Queue-based rate limiting and shaping on ports
Security	Hierarchical user management and password protection

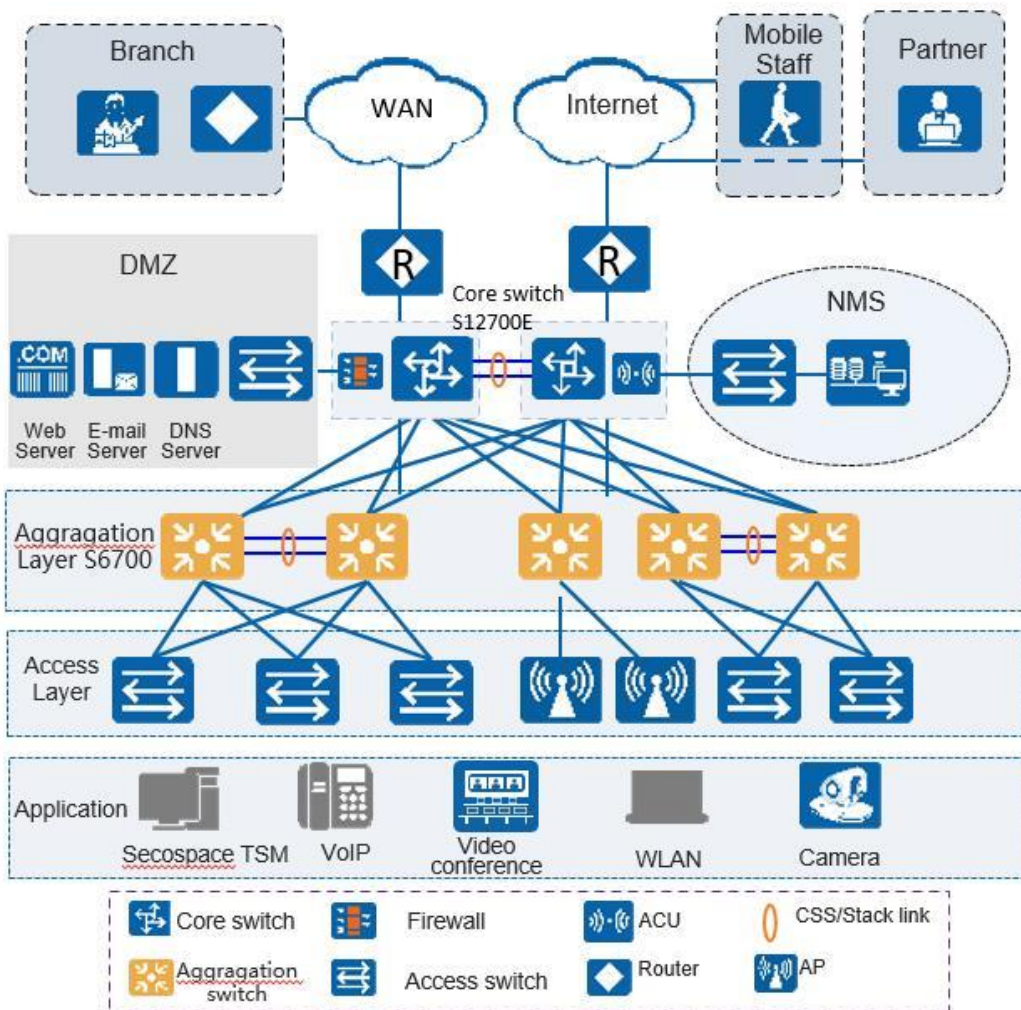
Feature	Description
	<p>DoS attack defense, ARP attack defense, and ICMP attack defense</p> <p>Binding of the IP address, MAC address, port number, and VLAN ID</p> <p>Port isolation, port security, and sticky MAC</p> <p>MAC Forced Forwarding (MFF)</p> <p>Blackhole MAC address entries</p> <p>Limit on the number of learned MAC addresses</p> <p>IEEE 802.1X authentication and limit on the number of users on a port</p> <p>AAA authentication, RADIUS authentication, and HWTACACS authentication</p> <p>NAC</p> <p>SSH V2.0</p> <p>HTTPS</p> <p>CPU protection</p> <p>Blacklist and whitelist</p> <p>Attack source tracing and punishment for IPv6 packets such as ND, DHCPv6, and MLD packets</p> <p>IPSec for management packet encryption</p> <p>ECA</p> <p>Deception</p> <p>MACSec(Supported by the CloudEngine S6730-H24X4Y4C models)</p>
Reliability	<p>LACP</p> <p>E-Trunk</p> <p>Ethernet OAM (IEEE 802.3ah and IEEE 802.1ag)</p> <p>ITU-Y.1731</p> <p>DLDP</p> <p>LLDP</p> <p>BFD for BGP, BFD for IS-IS, BFD for OSPF, BFD for static routes</p>
VXLAN	<p>VXLAN L2 and L3 gateways</p> <p>Centralized and distributed gateway</p> <p>BGP-EVPN</p> <p>Configured through the NETCONF protocol</p>
SVF	<p>Acting as the parent node to vertically virtualize downlink switches and APs as one device for management</p> <p>Two-layer client architecture</p> <p>ASs can be independently configured. Services not supported by templates can be configured on the parent node.</p> <p>Third-party devices allowed between SVF parent and clients</p>
iPCA	<p>Marking service packets to obtain the packet loss ratio and number of lost packets in real time</p> <p>Measurement of the number of lost packets and packet loss ratio on networks and devices</p>
Management and maintenance	<p>Cloud-based management</p> <p>Virtual cable test</p> <p>SNMP v1/v2c/v3</p> <p>RMON</p> <p>Web-based NMS</p> <p>System logs and alarms of different severities</p> <p>GVRP</p>

Feature	Description
	MUX VLAN
	NetStream
	Telemetry

Networking and Applications

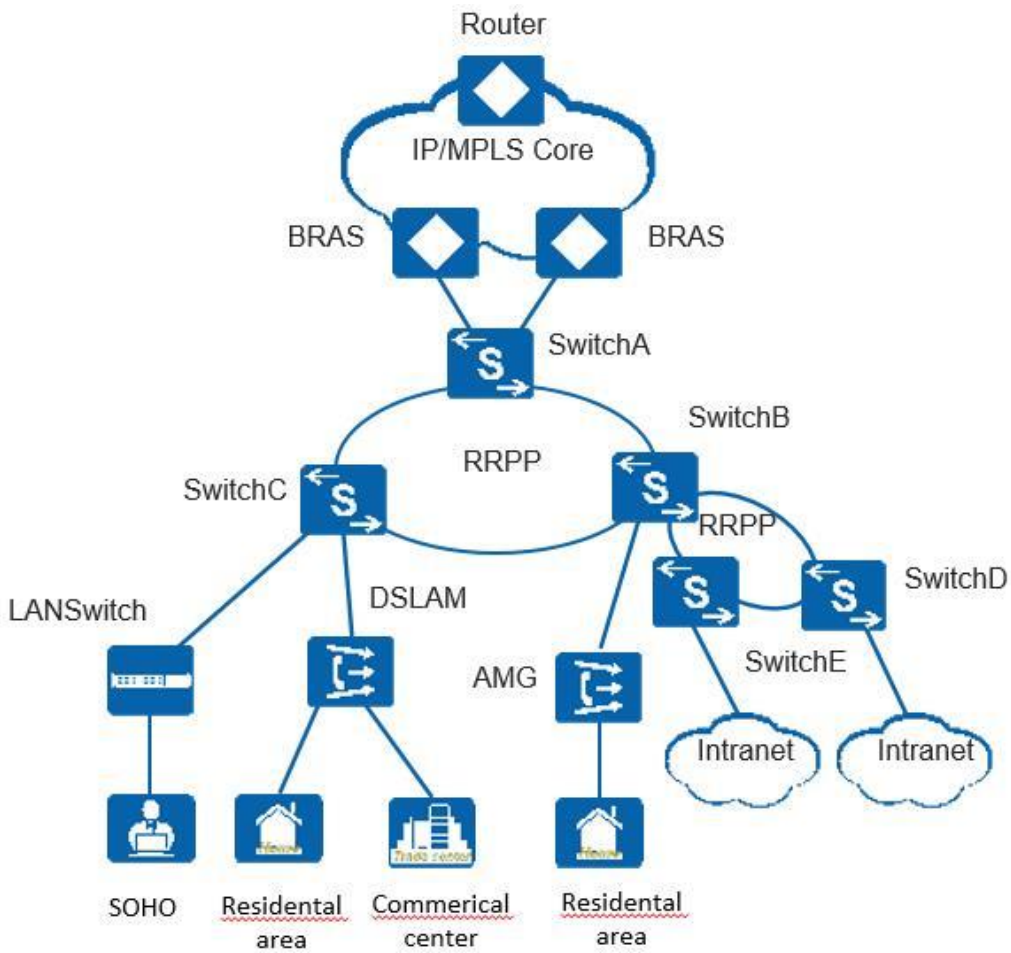
Large-scale Enterprise Campus Network

CloudEngine S6730-H series switches can be deployed at the aggregation layer of a large-scale enterprise campus network, creating a highly reliable, scalable, and manageable enterprise campus network.



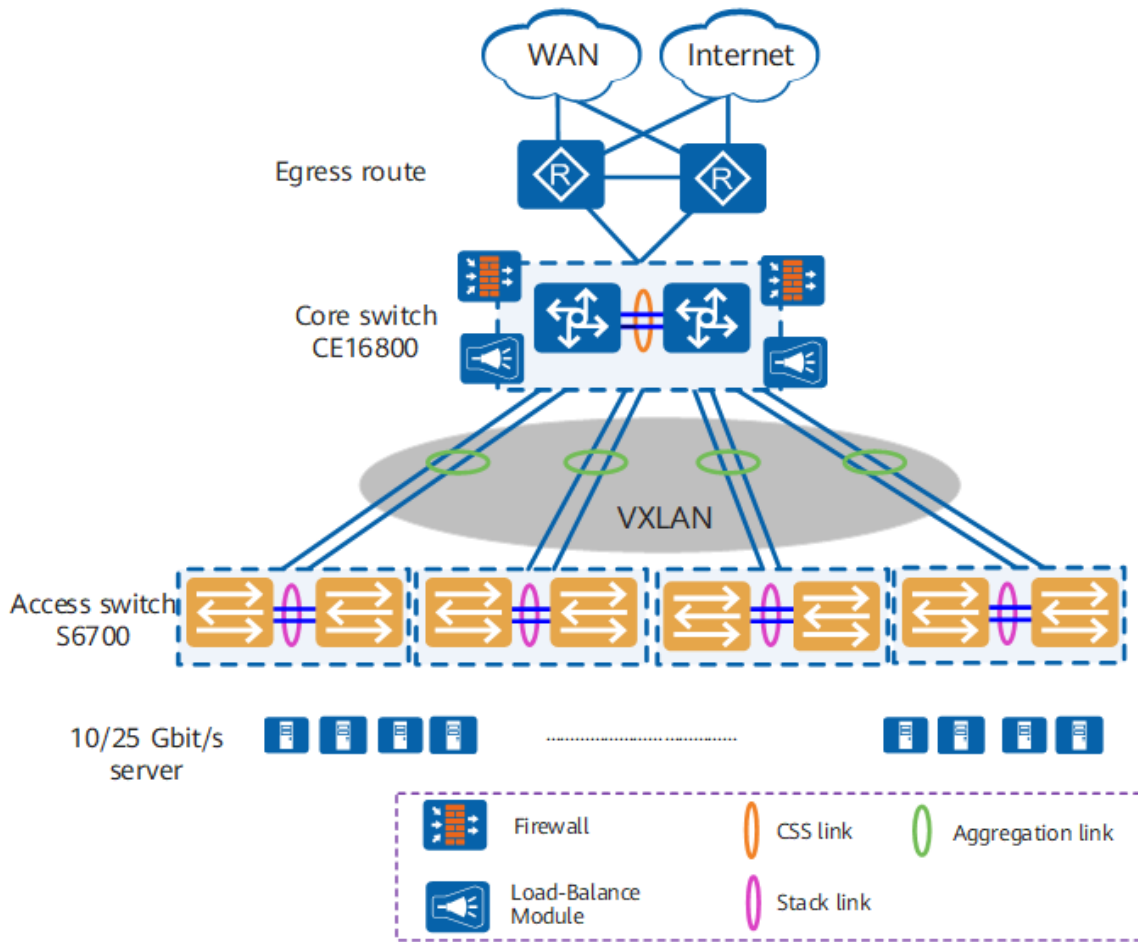
Application on a MAN

CloudEngine S6730-H series switches can be deployed at the access layer of a MAN(Metropolitan Area Network) to build a high-performance, multi-service, and highly reliable ISP MAN network.



Data Center

CloudEngine S6730-H switches can be deployed at the access layer build a virtualized, highly reliable, non-blocking, and energy conservative data center network.



Ordering Information

The following table lists ordering information of the CloudEngine S6730-H series switches.

Model	Product Description
CloudEngine S6730-H48X6C	S6730-H48X6C (48*10GE SFP+ ports, 6*40GE QSFP28 ports, optional license for upgrade to 6*100GE QSFP28, without power module)
CloudEngine S6730-H24X6C	S6730-H24X6C (24*10GE SFP+ ports, 6*40GE QSFP28 ports, optional license for upgrade to 6*100GE QSFP28, without power module)
CloudEngine S6730-H48X6C	S6730-H48X6C Bundle (48*10GE SFP+ ports, 6*40GE/100GE QSFP28 ports, with 100G license, without power module)
CloudEngine S6730-H24X6C	S6730-H24X6C Bundle (24*10GE SFP+ ports, 6*40GE/100GE QSFP28 ports, with 100G license, without power module)
CloudEngine S6730-H24X4Y4C	S6730-H24X4Y4C (24*10GE SFP+ ports, 4*25GE SFP28 ports, 4*40GE/100GE QSFP28 ports, without power module)
PAC600S12-CB	600W AC power module (for S6730-H48X6C/S6730-H24X6C series models)
PDC1000S12-DB	1000W DC power module (for S6730-H48X6C/S6730-H24X6C series models)
PAC300S12-CL	300W AC power module (for S6730-H24X4Y4C series models)
PDC260S12-DL	260W DC power module (for S6730-H24X4Y4C series models)

License	Product Description
N1-S67H-M-Lic	S67XX-H Series Basic SW,Per Device
N1-S67H-M-SnS1Y	S67XX-H Series Basic SW,SnS,Per Device,1Year
L-100GEUPG-S67H	S67XX-H Series,40GE to 100GE Electronic RTU License,Per Device
L-VxLAN-S67	S67 Series, VxLAN License, Per Device
L-1AP-S67	S67 Series, Wireless Access Controller AP Resource License-1AP
N1-S67H-F-Lic	N1-CloudCampus,Foundation,S67XX-H Series,Per Device
N1-S67H-F-SnS	N1-CloudCampus,Foundation,S67XX-H Series,SnS,Per Device
N1-S67H-A-Lic	N1-CloudCampus,Advanced,S67XX-H Series,Per Device
N1-S67H-A-SnS	N1-CloudCampus,Advanced,S67XX-H Series,SnS,Per Device
N1-S67H-FToA-Lic	N1-Upgrade-Foundation to Advanced,S67XX-H,Per Device
N1-S67H-FToA-SnS	N1-Upgrade-Foundation to Advanced,S67XX-H,SnS,Per Device
N1-AM-30-Lic	N1-CloudCampus, Add-On Package, Access Management, Per 30 Endpoints
N1-AM-30-SnS1Y	N1-CloudCampus, Add-On Package, Access Management, Software Subscription and Support, Per 30 Endpoints, 1 Year
N1-EPNP-30-Lic	N1-CloudCampus, Add-On Package, Endpoints Plug and Play, Per 30 Endpoints
N1-EPNP-30-SnS1Y	N1-CloudCampus, Add-On Package, Endpoints Plug and Play, Software Subscription and Support, Per 30 Endpoints, 1 Year
N1-APP-X7FSwitch	N1-CloudCampus, Add-On Package, Intelligent Application Analysis, X7 Series Fixed Switch, Per Device
N1-APP-X7FSwitch-SnS1Y	N1-CloudCampus, Add-On Package, Intelligent Application Analysis, X7 Series Fixed Switch, Software Subscription and Support, Per Device, 1 Year

More Information


For more information about Huawei Campus Switches, visit <http://e.huawei.com> or contact us in the following ways:

- Global service hotline: <http://e.huawei.com/en/service-hotline>
- Logging in to the Huawei Enterprise technical support website: <http://support.huawei.com/enterprise/>
- Sending an email to the customer service mailbox: support_e@huawei.com

Copyright © Huawei Technologies Co., Ltd. 2020. All rights reserved.

No part of this document may be reproduced or transmitted in any form or by any means without prior written consent of Huawei Technologies Co., Ltd.

Trademarks and Permissions

 HUAWEI and other Huawei trademarks are trademarks of Huawei Technologies Co., Ltd.

All other trademarks and trade names mentioned in this document are the property of their respective holders.

Notice

The purchased products, services and features are stipulated by the contract made between Huawei and the customer. All or part of the products, services and features described in this document may not be within the purchase scope or the usage scope. Unless otherwise specified in the contract, all statements, information, and recommendations in this document are provided "AS IS" without warranties, guarantees or representations of any kind, either express or implied.

The information in this document is subject to change without notice. Every effort has been made in the

Huawei Technologies Co., Ltd.

Address:Huawei Industrial Base Bantian,
Longgang Shenzhen 518129 People's
Republic of China

Website:e.huawei.com

preparation of this document to ensure accuracy of the contents, but all statements, information, and recommendations in this document do not constitute a warranty of any kind, express or implied.