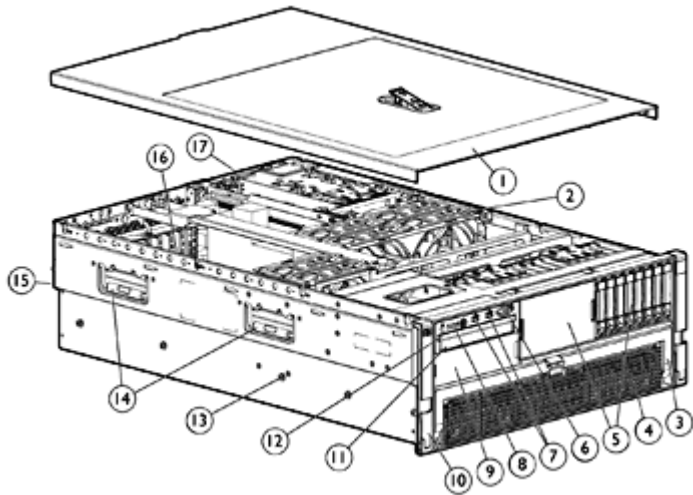


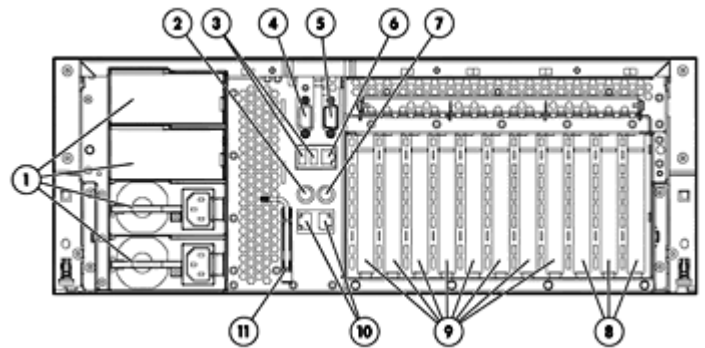
### Overview

The HP ProLiant DL580 G5 is the best in class platform for virtualization, combining Intel's newest Xeon® processor technology, maximum scalability and high availability features. This 4-socket server offers unsurpassed flexibility and serviceability in a versatile, 4U rack-optimized form factor. Based on the latest industry standard technologies, the DL580 G5 provides the highest levels of performance demanded by today's compute intensive applications.



#### Front View

1. Quick Removal Access Panel
2. Six Hot Plug Redundant Fans Standard on all models
3. Front accessible Processor and memory drawer
4. Support for up to four Quad-Core Intel® Xeon® Processors
5. Support for up to 16 Small Form-Factor (SFF) SAS or Serial ATA (SATA) drives
6. One front video port
7. Two front accessible USB 2.0 ports
8. Front Panel LED Display and Power Button
9. Half-height tape bay
10. Quick release levers for fast server access
11. Slimline Drive (DVD Drive standard)
12. Slide-out Systems Insight Display
13. Universal Tool-less Snap In Sliding Rail Solution
14. Server Lifting Handles
15. 4U (7.8 Height) Rack Form Factor
16. Up to eleven Available PCI Express/PCI-X Internal Expansion Slots. Eight Standard (4) full length PCI-E x8, (1) full length PCI-E x4 and (3) half length PCI-Ex4 slots. Optional Expansion for up to (3) PCI-X or (3) PCI-E x8
17. Hot Plug Redundant Power Supplies (two standard with 2P Models, requires four for redundancy)



#### Rear View

1. Power supplies (2 ship standard in 2P Models 4 ship standard in 4P Models)
2. Keyboard port
3. Two USB ports
4. Video port
5. Serial port
6. Integrated Lights-Out 2 port
7. Mouse port
8. PCI-Express or PCI-X option (slots 1-3)
9. PCI-Express slots (slots 4-11)
10. Two Multifunction Gigabit NICs
11. Service tool

### Overview

#### What's New

- Optional -48V DC power supply
- New 300GB SFF SAS drives supported

### Standard Features

**NOTE**-For the Standard Features shipped in the [Factory Integrated Models](#), please see the [Configuration Information - Factory Integrated Models](#) section.

#### Processor

One or more of the following depending on model

#### Six-Core Processors

6-Core Intel® Xeon® X7460 Processor (2.67 GHz, 16MB cache, 130Watts)

6-Core Intel® Xeon® L7455 Processor (2.13 GHz, 12MB cache, 65Watts)

6-Core Intel® Xeon® E7450 Processor (2.40 GHz, 12MB cache, 90 Watts)

#### Quad-Core Processors

Quad-Core Intel® Xeon® E7440 Processor (2.40 GHz, 16MB cache, 90 Watts)

Quad-Core Intel® Xeon® E7430 Processor (2.13 GHz, 12MB cache, 90 Watts)

Quad-Core Intel® Xeon® E7420 Processor (2.13 GHz, 8MB cache, 90 Watts)

Quad-Core Intel® Xeon® X7350 Processor (2.93 GHz, 2x4M cache, 130 Watts)

Quad-Core Intel® Xeon® E7340 Processor (2.40 GHz, 2x4M cache, 80 Watts)

Quad-Core Intel® Xeon® E7330 Processor (2.40 GHz, 2x3M cache, 80 Watts)

Quad-Core Intel® Xeon® E7320 Processor (2.13 GHz, 2x2M cache, 80 Watts)

Quad-Core Intel® Xeon® E7310 Processor (1.60 GHz, 2x2M cache, 80 Watts)

Quad-Core Intel® Xeon® L7345 Processor (1.86 GHz, 2x4M cache, 50 Watts)

#### Dual-Core Processors

Dual-Core Intel® Xeon® E7220 Processor (2.93 GHz, 2x4M cache, 80 Watts)

**NOTE**-Intel Core™ Microarchitecture with Intel Virtualization Technology FlexMigration.

---

#### Cache Memory

One or more of the following depending on model

16MB (1 x 16MB) Level 3 cache

12MB (1 x 12MB) Level 3 cache

8MB (1 x 8MB) Level 3 cache

8MB (2 x 4MB) Level 3 cache

---

#### Chipset

Industry Standard Intel® 7300 Chipset with four high-speed interconnects at 1066 MT/s

**NOTE**-For more information regarding Intel chipsets, please see the following URL-

<http://www.intel.com/products/server/chipsets/>

---

#### Upgradeability

Upgradeable to quad (4) processors

**NOTE**-To upgrade from 2P to 4P CPU/Memory secondary option kit needs to be bought separately. Exact part number is mentioned in the options section. 4P models already have this kit configured.

---

#### Memory Protection

Advanced ECC

Mirrored Memory

Online Spare Memory

---

### Standard Features

#### Memory

One of the following depending on Model

Type	PC2-5300 Fully Buffered DIMMs (DDR2-667)
Standard (2P Base Models)	4 GB (4 x 1 GB)
Standard (4P Base Models)	8 GB (4 x 2 GB)
Standard (4P High Performance Models)	16 GB (8 x 2 GB)
Maximum	256 GB

**NOTE**- 256 GB achieved with use of four memory cartridges and (32) 8 GB Memory Modules.

#### Network Controller

Two embedded NC373i Multifunction Gigabit Network Adapters with TCP/IP Offload Engine, including support for Accelerated iSCSI through an optional ProLiant Essentials Licensing Kit

#### Expansion Slots

**NOTE**- More PCI-Express slots with up to eleven available with option card. Eight slots standard-(4) full length PCI-E x8, (1) full length PCI-E x4 and (3) half length PCI-E x4 slots-Optional card adds (3) PCI-X or (3) PCI-E x8.

Expansion Slots with No Option Card	Expansion Slot #	Technology	Width	Connector Width*	Bus Number**	Form Factor	Notes
	1	N/A	N/A	N/A	N/A	N/A	N/A
	2	N/A	N/A	N/A	N/A	N/A	N/A
	3	N/A	N/A	N/A	N/A	N/A	N/A
	4	PCI Express	x8	x16	12h	FH/FL	
	5	PCI Express	x8	x16	12h	FH/FL	
	6	PCI Express	x8	x16	12h	FH/FL	
	7	PCI Express	x8	x16	24h	FH/FL	
	8	PCI Express	x4	x8	24h	FH/FL	
	9	PCI Express	x4	x8	24h	LP	
	10	PCI Express	x4	x8	24h	LP	
	11	PCI Express	x4	x8	24h	LP	

\* Default bus assignment. Inserting cards with PCI bridges may alter the actual bus assignment number.

\*\* Slots are enumerated differently based on OS. MS OS's enumerate from lowest to highest Device ID by bus (starting with the lowest bus).

FL= Full length-FH = Full height-LP = low-profile.

### Standard Features

Expansion Slots							
Expansion Slots with PCI-X Option Card	Expansion Slot #	Technology	Width	Connector Width*	Bus Number**	Form Factor	Notes
	1	PCI-X	64-bit	N/A	41h	FH/FL	100MHz
	2	PCI-X	64-bit	N/A	41h	FH/FL	100MHz
	3	PCI-X	64-bit	N/A	41h	FH/FL	100MHz
	4	PCI Express	x8	x16	12h	FH/FL	
	5	PCI Express	x8	x16	12h	FH/FL	
	6	PCI Express	x8	x16	12h	FH/FL	
	7	PCI Express	x8	x16	24h	FH/FL	
	8	PCI Express	x4	x8	24h	FH/FL	
	9	PCI Express	x4	x8	24h	FH/FL	
	10	PCI Express	x4	x8	24h	LP	
	11	PCI Express	x4	x8	24h	LP	

\* Default bus assignment. Inserting cards with PCI bridges may alter the actual bus assignment number.  
 \*\* Slots are enumerated differently based on OS. MS OS's enumerate from lowest to highest Device ID by bus (starting with the lowest bus).  
 FL= Full length FH = Full height LP = low-profile.

Expansion Slots							
Expansion Slots with PCI Express x8 Card	Expansion Slot #	Technology	Width	Connector Width*	Bus Number**	Form Factor	Notes
	1	PCI Express	x8	x16	42h	FH/FL	
	2	PCI Express	x8	x16	42h	FH/FL	
	3	PCI Express	x8	x16	42h	FH/FL	
	4	PCI Express	x8	x16	12h	FH/FL	
	5	PCI Express	x8	x16	12h	FH/FL	
	6	PCI Express	x8	x16	12h	FH/FL	
	7	PCI Express	x8	x16	24h	FH/FL	
	8	PCI Express	x4	x8	24h	FH/FL	
	9	PCI Express	x4	x8	24h	LP	
	10	PCI Express	x4	x8	24h	LP	
	11	PCI Express	x4	x8	24h	LP	

\* Default bus assignment. Inserting cards with PCI bridges may alter the actual bus assignment number.  
 \*\* Slots are enumerated differently based on OS. MS OS's enumerate from lowest to highest Device ID by bus (starting with the lowest bus).  
 FL= Full length FH = Full height LP = low-profile.

### Standard Features

#### Storage Controller

One of the following depending on Model

2P Base Models HP Smart Array P400i/256 MB Controller

4P Base Models HP Smart Array P400i/512 MB BBWC Controller

The Battery-Backed Write Cache (BBWC) Enabler for the Smart Array P400i Controller protects up to 512-MB write cache memory from hard boot, power, controller, or system board failures.

- Standard on 4P Base Models, optional with others
- Battery charge/life=Up to 72 hours/3 years
- Transportable data protection
- Increases overall controller performance

#### Storage

Diskette Drive	None
Optical Drive	Slimline DVD Drive standard
Hard Drives	None ship standard
Hard Disk Drive Backplane	Internal SAS backplane supports up to eight SFF hard disk drives. Optional second SAS backplane supports additional eight SFF hard drives.

#### Maximum Internal Storage

Hot Plug SFF SAS	8.0TB	16 x 500GB
Hot Plug SFF SATA	8.0TB	16 x 500GB

#### Interfaces

Serial	1
Video	1 front=1 rear
Network RJ-45	2
iLO2 Remote Management	1
Keyboard	1
Pointing Device (Mouse)	1
USB 2.0 Ports	5 total=2 front=2 rear=1 internal
	<b>NOTE=</b> Please see the following URL for additional information regarding USB support=
	<a href="http://h18004.www1.hp.com/products/servers/platforms/usb-support.html">http://h18004.www1.hp.com/products/servers/platforms/usb-support.html</a>

#### Industry Standard Compliance

ACPI 2.0. Compliant  
 PCIE 1.0a Compliant  
 PXE Support  
 WOL Support  
 Physical Address Extension (PAE) Support  
 Microsoft® Logo certifications  
 USB 2.0 Support

### Standard Features

#### Server Power Cords

**NOTE** If customers require a local power cord, they can check the power cord matrix for the appropriate county specific sku. Please see the following power cord matrix for details—  
<http://www.hp.com/go/powercordmatrix>

#### Power Supply

HP 1200W 12V Hot plug AC Power Supply

**NOTE** Two Hot Plug Power Supplies ships standard with 2P Base Models (optional Redundant Hot Plug Power Supply Option Kit). Four Hot Plug Power Supplies ship standard with 4P Base Models. Configurations with 3 or 4 processors that will use lowline (110V) input power require four Hot Plug Power Supplies.

Power Supply Requirement Override

**NOTE** Customers unable to support four power supply configurations may be power redundant with two power supplies. HP has implemented a selection in ROM set up (RBSU) that lets the customer that has verified their two supply configuration is redundant. To make sure you select the correct power supply to meet your configuration, we suggest that you use the HP Power Advisor ([www.hp.com/go/hppoweradvisor](http://www.hp.com/go/hppoweradvisor)) to decide the **Right-Size** for your configuration.

#### System Fans

6 Hot plug, redundant fans (individually removable) ship standard

#### Required Cabling

For required cabling information, refer to the HP Web site at—[www.hp.com/servers/dl580](http://www.hp.com/servers/dl580).

#### Operating Systems and Virtualization Software Support for ProLiant Servers

Microsoft Windows Server  
Microsoft Windows Server Hyper V  
Red Hat Enterprise Linux (RHEL)  
SUSE Linux Enterprise Server (SLES)  
Oracle Enterprise Linux (OEL)  
NetWare  
VMware  
Citrix Essentials for XenServer

**NOTE** For more information on HP's Certified and Supported ProLiant Servers for OS and Virtualization Software and latest listing of software drivers available for your server, please visit our Support Matrix at—<http://www.hp.com/go/ossupport> and our driver download page [www.hp.com/support/DL580G5](http://www.hp.com/support/DL580G5).

#### Graphics

Integrated ATI ES1000 with 32MB embedded video SDRAM  
Max Resolution 1280 x 1024 x 16M color

#### Form Factor

Rack (4U = 7 inches), ships with Quick Deploy Sliding Rail System, an ambidextrous cable management arm and quick release levers for fast and easy serviceability and in-rack tool-less access to major components.  
Space saving form factor (4U) provides space efficiencies while providing maximum deployment flexibility.

### Standard Features

#### HP Insight management software

##### HP Insight Foundation

Managing the growing number of servers can be complex and expensive for your organization. IT managers need to address changing business needs with tools that meet the challenges of managing today's complex Datacenters.

HP provides management solutions that are designed to simplify a server's installation, configuration and maintenance throughout the entire server lifecycle. This provides the customer with higher levels of operational efficiency and highly reliable systems—[www.hp.com/go/foundation](http://www.hp.com/go/foundation).

The foundation pack includes—

- HP SmartStart
- HP Management DVD
- HP ProLiant Smart Update Firmware DVD

SmartStart version supported (minimum)—SmartStart 7.91.

<http://www.hp.com/servers/smartstart>

**NOTE:** In an effort to support reducing our environmental impact, the HP Insight Foundation Suite for ProLiant media will be available as a selectable option for this server at time of order of a CTO SKU. This will allow customers to order the number of media kits that best meet their needs and eliminate receiving unnecessary duplicate media.

##### HP Integrated Lights-Out (iLO)

HP Integrated Lights-Out (iLO) simplifies server setup, health monitoring, power and thermal control, and lights-out remote administration of ProLiant ML, DL, and BL servers. HP iLO functions without additional software and can be accessed from any location via a web browser. HP iLO works hand-in-hand with HP Systems Insight Manager, Insight Control, and Insight Dynamics for ProLiant, helping customers unleash the value of the ProLiant platform and deliver the highest possible quality of IT service. For more information, visit—[www.hp.com/go/iLO](http://www.hp.com/go/iLO)



### Standard Features

<b>Intelligent Manageability</b>	HP Systems Insight Manager SmartStart Redundant ROM Remote Flash ROM Management Agents Integrated Management Log (IML) Automatic Server Recovery-2 (ASR-2) ROM-Based Setup Utility (RBSU) Dynamic Sector Repairing (with Smart Array Controllers) Drive Parameter Tracking (with Smart Array Controllers) Pre-Failure Warranty (covers processors, SAS hard drives and memory) Redundant/adaptive load balancing NIC Support Hot Spare Boot <b>NOTE</b> Upon the event of a failed processor or Processor Power Module (PPM) in a multi-processing environment, the system will automatically reboot and use the remaining good processor(s).
----------------------------------	--

---

<b>Security</b>	Power-on password Keyboard password External USB port enable/disable Network Server Mode Serial interface control Administrator's password Removable CD-ROM or DVD drive
-----------------	--

---

<b>Warranty</b>	<p>This product is covered by a global limited warranty and supported by HP Services and a worldwide network of HP Authorized Channel Partners resellers. Hardware diagnostic support and repair is available for three years from date of purchase. Support for software and initial setup is available for 90 days from date of purchase. Enhancements to warranty services are available through HP Care Pack services or customized service agreements. Hard drives have either a one year or three year warranty<sup>†</sup>refer to the specific hard drive QuickSpecs for details.</p> <p><b>NOTE</b> Server Warranty includes 3-Year Parts, 3-Year Labor, 3-Year Onsite support with next business day response. Warranty repairs may be accomplished through the use of Customer Self Repair (CSR) parts. These parts fall into two categories<sup>†</sup>1) Mandatory CSR parts are designed for easy replacement. A travel and labor charge will result when customers decline to replace a Mandatory CSR part<sup>†</sup>2) Optional CSR parts are also designed for easy replacement but may involve added complexity. Customers may choose to have HP replace Optional CSR parts at no charge. Additional information regarding worldwide limited warranty and technical support is available at<sup>†</sup> <a href="http://h18004.www1.hp.com/products/servers/platforms/warranty/index.html">http://h18004.www1.hp.com/products/servers/platforms/warranty/index.html</a></p>
-----------------	--

### Optional Features

#### HP Insight management software

##### HP Insight Control

HP Insight Control, a product option, delivers essential infrastructure management that can help save time and money by making it easy to deploy, migrate, monitor, remote control, and optimize your IT infrastructure through a single, simple management console.

Two versions of Insight Control are available, to serve environments requiring either a Linux-based or a Windows-based central management server—HP Insight Control for Linux, and HP Insight Control. See [www.hp.com/go/insightcontrol](http://www.hp.com/go/insightcontrol)

HP Insight Control includes one year of 24 x 7 HP Software Technical Support and Update Service ensuring rapid access to HP support staff and proactive delivery of software updates. For more information about this service, please visit <http://www.hp.com/services/insight>.

##### HP Insight Dynamics for ProLiant

HP Insight Dynamics for ProLiant, a product option, is an integrated command center that enables IT Staff personnel to continuously analyze and optimize a converged infrastructure, while automating and reducing the cost of common data center tasks by as much as 40 percent. As a powerfully integrated by design toolkit to accelerate complex technology projects and simplify daily operations that ultimately enable IT Staff personnel to dynamically keep pace with the organizations changing business requirements. It enables them to plan capacity and power continuously, balance across physical and virtual resources, and ensure cost-effective high availability. It also enables IT organizations to provision infrastructure consistently and automatically from pools of shared resources using a self-service portal. Resources provisioned can range from a single virtual machine to complex multi-tier environments and their associated physical and virtual resource requirements. In addition to the previous functional benefits, it also provides a cost-effective disaster recovery for physical and virtual environments that works with HP StorageWorks Continuous Access software for both the Enterprise Virtual Array and the XP storage array allowing application environments to be reactivated in minutes with the touch of a button to a remote location.

**NOTE**—For more information, visit <http://www.hp.com/go/insightdynamics>

### Optional Features

#### Solutions

The ProLiant DL580 G5 server is an enterprise class, 4 socket server designed for maximum scalability and high availability. Its innovative chassis offers unsurpassed flexibility and serviceability in a versatile form factor. Based upon the latest industry standard processing, memory, I/O and networking technologies, the ProLiant DL580 G5 provides the highest levels of performance demanded by today's compute intensive applications. Unparalleled high availability features, including hot-plug and redundant components, guarantee maximum uptime. Integrated Lights-Out 2 (iLO2) technology allows remote administration from a standard web browser without ever having to visit the server. Within the 4U dense form factor, it's highly expandable architecture provides maximum application deployment flexibility with the ability to add PCI-Express, PCI-X or battery-backed write cache options. Innovative features, such as the ability to access processors, memory, hard drives, and power supplies while the unit remains secured in the rack, enable rapid response to service events, radically decreasing overall IT costs and server downtime.

#### Typical Usage-

##### Space-constrained corporate data centers and service providers

- With up to 4 TB of internal storage, 32 DIMM sockets and PCI-Express or PCI-X options<sup>†</sup>the HP ProLiant DL580 G5 packs the storage, memory, and I/O you need in a versatile, 4U chassis
- Ambidextrous cable management and a quick deploy rail solution make racking a snap
- Availability features including hot plug redundant power, hot plug redundant fans, and hot plug RAID hard drives keep environments up and running and users productive

##### Database, Messaging and Business Applications

- The latest Intel® Xeon® processors with FBDIMMs and large internal storage capacity provide scalability for everything from web apps to mail servers to databases
- Eight standard PCI-Express slots and the ability to add either three additional x8 PCI Express or three PCI-X slots, provide powerful and flexible I/O alternatives
- Two integrated multi-function gigabit NICs give you the connectivity and bandwidth needed in today's database or business applications environments
- Easily attach to SAN or NAS and manage from one location

##### Server Consolidation

- Scalability, availability and built-in serviceability make the HP ProLiant DL580 G5 the perfect platform for server consolidation solutions
- The ProLiant HP DL580 G5 and ProLiant Essentials make it easy to deploy, manage, and migrate virtualized servers with VMware or Microsoft Virtual Server
- Integrated Lights-Out 2 enables administrators to manage the HP ProLiant DL580 G5 from remote locations

For more solutions visit <http://www.hp.com/solutions/proliantdl580>.

### Optional Features

#### **Factory Express Portfolio for Servers and Storage**

HP Factory Express offers configuration, customization, integration and deployment services for HP servers and storage products. Customers can choose how their factory solutions are built, tested, integrated, shipped and deployed.

Factory Express offers service packages for simple configuration, racking, installation, complex configuration and design services as well as individual factory services, such as image loading, asset tagging, and custom packaging. HP products supported through Factory Express include a wide array of servers and storage—HP Integrity, HP ProLiant, HP ProLiant Server Blades, HP BladeSystem, HP 9000 servers as well as the MSAxxxx, VA7xxx, EVA, XP, rackable tape libraries and configurable network switches.

For more information on Factory Express services for your specific server model please contact your sales representative or go to <http://www.hp.com/go/factory-express>.

---

#### **HP Enterprise Configurator**

The HP eConfigure-Enterprise Configurator now provides factory default racking for our HP hardware portfolio. This approach is aligned with our strategic direction to meet the needs and expectations of our valued customers. If you require custom rack configuration, please contact HP's Customer Business Center or an Authorized Partner for assistance. <http://www.hp.com/products/configurator>.

---

### Service and Support

#### Service and Support

For increased uptime, productivity and ROI - HP Care Pack packaged services for Servers

These days, you need to get the most out of your server investment - you can't afford not to. When you buy HP server products and solutions, it's also a good time to think about what levels of service and support you may need. To help take the worry out of deploying, designing, maintaining, and managing your environment, we've designed a portfolio of service options that are as flexible, reliable and scalable as your server. Unlike server-only vendors, we take a holistic approach to your entire environment, bridging storage, servers, blades, software and network infrastructures with our HP Care Pack packaged services for Servers.

#### Protect your business beyond the warranty

When it comes to robustness and reliability, standard warranties on today's computing equipment have matured just as the technologies have matured. Good news on some fronts - but also a source of potential problems and subsequent consequences that come from depending on standard warranties alone. Standard warranty protects against product defects and some causes of downtime - but not the business. By using a standard approach to warranty uplifts, such as HP Care Pack Services, you can reduce downtime risks and be more certain of operational consistency for both mission-critical and standard business computing. Simply put, HP Care Pack Services normalize the warranty of combined products - helping you proactively guard against unplanned downtime.

#### Extending warranties with HP Care Pack Services

For cost-effective upgrading or extending your standard warranty, HP Care Pack Services offer a suite of standard reactive hardware and software support services that are sold separately, or combined as with our Support Plus and Support Plus 24 services. The portfolio also provides a combination of proactive and reactive services, such as Proactive 24 Service and Critical Service. In addition, with HP Proactive Select we offer an innovative approach to service delivery that gives you the flexibility to acquire the specific proactive services you need today, then add services as your needs evolve. HP Proactive Select offers a broad set of technical or per-event type service options - including server, storage, and network, SAN device, and software, environment, installation and education services. Services that you can mix and match depending on your specific requirements, from preliminary planning and equipment delivery to installation, configuration, integration, and testing, through every level of ongoing support. Our HP Care Pack packaged services for Servers assures help when you need it most. And for many products, post-warranty HP Care Pack Services are available when your original warranty has expired.

#### HP Server Services - Offering reliability, flexibility and value - just like your storage

HP Server Services offers a full spectrum of customer care, from technology support to complex migrations to complete completely managed services. HP Factory Express provides customization, integration and deployment services for turnkey solutions. HP Education offers flexible, comprehensive training on server networking and server software to help your IT staff get the most out of your investments. And HP Financial solutions extend innovative financing and asset management programs to cost-effective buy, manage and eventually retire your older equipment.

HP Server Services, the trusted business technology experts who manage your technology in action, because when technology works, business works. <http://www.hp.com/services/servers>, <http://www.hp.com/services/storage>

**NOTE** Care Pack Services availability may vary by product and country.

### Service and Support

HP Care Pack Services are sold by HP and HP Authorized Service Partners<sup>2</sup>

- Services for customers purchasing from HP or an enterprise reseller are quoted using HP order configuration tools.
- Customers purchasing from a commercial reseller can find HP Care Pack Services at<sup>2</sup> <http://www.hp.com/go/lookuptool>

---

## Recommended HP Care Pack Services for optimal satisfaction with your HP product

### Recommended Services **Hardware Support - 3-Year HP 24x7 6-hour call to repair Care Pack**

3-Year HP 24x7 6-hour call to repair Care Pack - This cost-effective service helps you minimize system downtime due to hardware failure. It features a commitment to resolve hardware problems within 6 hours from the time your service call is received. (Please note repair-time restrictions below.)

When you experience system problems, your call is immediately connected to an HP-certified resolution engineer for troubleshooting. If your problem cannot be resolved remotely, an experienced support professional is dispatched to your site to begin hardware repair activities.

#### Service feature highlights

- Remote monitoring and problem diagnosis and support
- Onsite hardware support
- 6-hour call-to-repair time commitment
- Materials included
- Enhanced parts inventory management
- 24x7 coverage window
- Work to completion
- Escalation management

<http://h20195.www2.hp.com/V2/GetPDF.aspx/5981-6636ENN>

### **Hardware Support - 3 - Years 24x7 24 hour Call-to-Repair**

3-Year HP 24x7 24-hour call to repair Care Pack - This cost-effective service helps you minimize system downtime due to hardware failure. It features a commitment to resolve hardware problems within 6 hours from the time your service call is received. (Please note repair-time restrictions below.)

When you experience system problems, your call is immediately connected to an HP-certified resolution engineer for troubleshooting. If your problem cannot be resolved remotely, an experienced support professional is dispatched to your site to begin hardware repair activities.

### **ProLiant Servers Installation and Startup Service**

HP Installation and Startup of HP ProLiant Servers provides for the installation of your new HP ProLiant server and operating system. This will assist you in bringing your new HP ProLiant server and operating system into operation in a timely and professional manner.

#### Service benefits

This service provides a trained HP service specialist to perform an installation that meets HP quality standards, for<sup>2</sup>

- Delivery of the service at a mutually scheduled time convenient to your organization
- Availability of an HP service specialist to answer basic questions during the onsite delivery of this

### Service and Support

service

- Custom installation as detailed in delivery specifications or in a Statement of Work (SOW)
- Verification prior to installation that all service prerequisites are met

#### Service benefits

This service provides a trained HP service specialist to perform an installation that meets HP quality standards, for

- Delivery of the service at a mutually scheduled time convenient to your organization
- Availability of an HP service specialist to answer basic questions during the onsite delivery of this service
- Custom installation as detailed in delivery specifications or in a Statement of Work (SOW)
- Verification prior to installation that all service prerequisites are met

<http://h20195.www2.hp.com/V2/GetPDF.aspx/5982?7572ENN>

---

## Optional HP Care Pack Services that will enhance your HP product experience

### Optional Services

#### 3-Year HP Support Plus 24 Service Care Pack

As an alternative to our recommended support level, for customers who need access to responsive 24x7 hardware and software support plus software updates on HP and selected third party products

HP Support Plus 24 helps you increase performance and availability with comprehensive, consistent hardware and software services. Working with your IT team, HP Services engineers deliver onsite hardware support and over-the-phone software support around-the-clock 365 days per year. Service coverage encompasses HP products and selected multi-vendor hardware and software.

In addition, this convenient HP Care Pack packaged service makes software updates available to you at substantial savings.

Choose Support Plus 24 when you need to

- Improve uptime with responsive hardware and software services available anytime
- Cost-effectively obtain expert 24x7 multi-vendor hardware and software support
- Enjoy consistent service coverage across geographically dispersed sites
- Update HP and selected third-party software at a predictable cost
- Take advantage of subscription savings on software updates

<http://h20195.www2.hp.com/V2/GetPDF.aspx/5981-6638EEE>

#### 3 Year HP Proactive 24

As an alternative to our recommended support level, for customers who want enhanced operational effectiveness and proactive problem identification

HP Proactive 24 Service (P24) integrates hardware and software support to help you improve the stability and operational effectiveness of your IT environment. An HP Account Manager acts as your primary point of contact to ensure that HP meets your support needs effectively.

P24 provides the maximum value when multiple technologies in the environment (e.g. servers, storage, SAN and the network), are all covered. It provides an environment-wide view and consistent support of all of these components which affect stability of your key applications.

### Service and Support

Choose P24 when you want to

- enhance operational effectiveness with proactive problem identification and recommendations from HP
- partner with technical experts who help coordinate support, provide hands-on assistance, and share knowledge with your staff
- rapidly access support and expertise spanning your environment
- obtain personalized services tailored to your business environment and critical success factors
- anticipate necessary change - and execute it correctly the first time
- efficiently manage infrastructure resources to meet your performance objectives

<http://h20195.www2.hp.com/V2/GetPDF.aspx/4AA0-1614ENUC>

#### **Hardware Support - 3-Year, 24x7 Same-Business-Day, On-site. 4-Hour response coverage**

As an alternative to our recommended support level, for customers who need same day response service level 24x7.

3-Year, 24x7 Same-Business-Day, On-site. 4-Hour response coverage provides high-quality remote assistance and onsite support for your covered hardware, helping you to improve product uptime. You have the flexibility to choose between different service-level options featuring different response times and coverage windows, as well as between several coverage periods to address your specific service needs.

Service benefits

- Help improve or maintain system uptime
- Convenient onsite support
- Reliable response times
- Service feature highlights
- Remote problem diagnosis and support
- Onsite hardware support
- Materials included
- Service-level options with different coverage windows and response times
- Work to completion
- Escalation management
- Access to electronic support information and services
- HP electronic remote monitoring and support solution (for eligible products only)
- Optional Defective Media Retention Service

<http://h20195.www2.hp.com/V2/GetPDF.aspx/5982-6547EEE>



### Service and Support

#### eSupport

HP eSupport is a portfolio of technology-based services that assist you with managing your business environment - from the desktop to the data center.

#### Support Portal

The HP support portal provides one-stop access to the information, tools and services you need to manage the daily operations of your IT environment.

#### Features include-

- Access to self-solve tools (including search technical knowledge base)
- Efficient logging and tracking of support cases
- Collaboration with other business and IT professionals
- Download of patches and drivers
- Access to diagnostic tools
- Proactive notification of relevant information

Access to certain features of the support portal requires an HP service agreement. To access the support portal, visit <http://www.hp.com/support>

HP Insight Remote Support software delivers secure remote support for your HP Servers and Storage, 24 X 7, so you can spend less time solving problems and more time focused on your business. You can have your systems remotely monitored for hardware failure using secure technology that's been proven at thousands of companies around the world. In many cases, you can avoid problems before they occur.

### Pre-configured Models

**NOTE**—For the Standard Features shipped in the [Factory Integrated Models](#), please see the [Configuration Information - Factory Integrated Models](#) section.

**NOTE**—Pre-configured models ship with the configurations below. Options can be selected from the Core or Additional options section of this QuickSpecs.

**NOTE**—HP does not allow factory integration of options into pre-configured models. Any additional options purchased will be shipped separately.

**NOTE**—If you desire a custom configuration please see [Configuration Information - Factory Integrated Models](#) section of this QuickSpecs.

**NOTE**—Not all models are available in all regions. Check with your local country HP offices for availability.

<p><b>HP DL580 G5 High Performance Models</b></p> <p><b>HP DL580 G5 X7460 16GB 4P</b> 487362-xx1</p> <p><b>HP DL580 G5 E7450 8GB 4P</b> 487363-xx1</p> <p><b>HP DL580 G5 E7440 8GB 4P</b> 487364-xx1</p>	<p><b>Processor(s)</b> <a href="#">Four of the following depending on model</a></p> <p><b>Cache Memory</b> <a href="#">One of the following depending on model</a></p> <p><b>Memory</b></p> <p><b>Network Controller</b></p> <p><b>Storage Controller</b></p> <p><b>Hard Drives</b></p> <p><b>Internal Storage</b></p> <p><b>Optical Drive</b></p> <p><b>Power Supplies</b></p> <p><b>Optical Drive</b></p> <p><b>Fans</b></p> <p><b>Integrated Lights Out</b></p> <p><b>Form Factor</b></p> <p><b>Warranty</b></p>	<p>(4) 6-Core Intel® Xeon® X7460 Processor (2.67GHz, 16MB L3 cache, 130 Watts)</p> <p>(4) 6-Core Intel® Xeon® E7450 Processor (2.40GHz, 12MB L3 cache, 90 Watts)</p> <p>(4) 4-Core Intel® Xeon® E7440 Processor (2.40GHz, 16MB L3 cache, 90 Watts)</p> <p>16MB (1 x 16MB) L3 cache</p> <p>12MB (1 x 12MB) L3 cache</p> <p>X7460 models—16 GB PC2-5300 Fully Buffered DIMMs (DDR2-667) All others—8 GB PC2-5300 Fully Buffered DIMMs (DDR2-667)</p> <p><b>NOTE</b>—<a href="#">Memory expansion boards option required to configure up to 256 GB using 8 GB DIMMs</a></p> <p>Two embedded NC373i Multifunction Gigabit Server Adapters</p> <p>HP Smart Array P400i/512 MB BBWC Controller</p> <p>None ship standard</p> <p>8TB max (with optional 500GB SFF SATA hot-plug hard drives)</p> <p>Slimline DVD Drive standard</p> <p>Four Power Supplies standard (third and fourth power supplies for redundancy)</p> <p>Slimline DVD</p> <p>6 Hot plug, redundant fans (individually removable) ship standard</p> <p>HP Integrated Lights-Out 2 management processor—Integrated on system board</p> <p>Rack 4U</p> <p>Server Warranty includes 3-Year Parts, 3-Year Labor, 3-Year Onsite support with next business day response.</p>
--	---	--

### Pre-configured Models

<p><b>HP DL580 G5 Base Models</b></p> <p><b>HP DL580 G5 E7430 4GB 2P</b></p> <p>487365-xx1</p> <p><b>HP DL580 G5 E7420 4GB 2P</b></p> <p>487366-xx1</p>	<p><b>Processor(s)</b></p> <p>Two of the following depending on model Up to 4 supported</p> <p><b>Cache Memory</b></p> <p>One of the following depending on model</p> <p><b>Memory</b></p> <p><b>Network Controller</b></p> <p><b>Storage Controller</b></p> <p><b>Hard Drives</b></p> <p><b>Internal Storage</b></p> <p><b>Optical Drive</b></p> <p><b>Power Supply</b></p> <p><b>Fans</b></p> <p><b>Integrated Lights Out</b></p> <p><b>Form Factor</b></p> <p><b>Warranty</b></p>	<p>(2) 4-Core Intel® Xeon® E7430 Processor (2.13GHz, 12MB L3 cache, 90 Watts)</p> <p>(2) 4-Core Intel® Xeon® E7420 Processor (2.13GHz, 8MB L3 cache, 90 Watts)</p> <p>12MB (1 x 12MB) L3 cache</p> <p>8MB (1 x 8MB) L3 cache</p> <p>4 GB PC2-5300 Fully Buffered DIMMs (DDR2-667) (Standard) to 256 GB (Maximum)</p> <p><b>NOTE:</b> Memory expansion boards option would be required to configure up to 256 GB using 8 GB DIMMs</p> <p>Two embedded NC373i Multifunction Gigabit Server Adapters</p> <p>HP Smart Array P400i/256 MB Controller</p> <p>None ship standard</p> <p>Up to sixteen (16) small form factor SAS/SATA hot-plug hard drive bays</p> <p>Slimline DVD Drive standard</p> <p>Two power supplies standard (third and fourth power supplies optional for redundancy)</p> <p>6 Hot plug, redundant fans (individually removable) ship standard</p> <p>HP Integrated Lights-Out 2 management processor-Integrated on system board</p> <p>Rack 4U</p> <p>Server Warranty includes 3-Year Parts, 3-Year Labor, 3-Year Onsite support with next business day response.</p>
---	--	--

<b>Country Code Key</b>	xx=00	US
	xx=20	Brazil
	xx=29	Japan
	xx=37	APD
	xx=42	Europe
	xx=AA	PRC

### Configuration Information - Factory Integrated Models

**NOTE**- This section lists some of the steps required to configure a Factory Integrated Model. To ensure only valid configurations are ordered, HP recommends the use of an HP approved configurator. Contact your local sales representative for information on configurable product offerings and requirements.

**NOTE**- Configure-to-order (CTO) servers must start with a CTO Chassis.

**NOTE**- FIO indicates that this option is only available as a factory installable option.

#### Step 1- Base Configuration

<b>HP Models</b>	<p>HP ProLiant DL580 G5 highly serviceable rack chassis <span style="float: right;">487381-B21</span></p> <p><b>NOTE</b>- 487381-B21 is for use when configuring the DL580 with 7400 series processors.</p> <p>HP ProLiant DL580 G5 highly serviceable tower chassis <span style="float: right;">502550-B21</span></p> <p><b>Factory Integrated Model ships with</b></p> <ul style="list-style-type: none"> <li>Two embedded NC373i Multifunction Gigabit Server Adapters</li> <li>Eight standard PCI-express slots</li> <li>HP Smart Array P400i Controller</li> <li>Two hot-plug power supplies with two high-line IEC power cords</li> <li>Six (6) redundant hot-plug fans</li> <li>SFF SAS/SATA drive cage</li> <li>HP Integrated Lights-Out 2 management processor-integrated on system board tower or rack (4U), 7-inch</li> </ul>
------------------	--

#### Step 2- Choose Required Options (only one of the following from each list unless otherwise noted)

<b>HP Processors</b>	<p>Intel® Xeon® X7460 2.67GHz Hexa Core 16MB DL580 G5 Factory Integrated Processor <span style="float: right;">487373-L21</span> Option Kit</p> <p><b>NOTE</b>- If more than one processor is desired, additional processor selections would be 487373-B21.</p> <p>Intel® Xeon® L7445 2.13GHz Six Core 12MB DL580 G5 Factory Integrated Processor <span style="float: right;">506157-L21</span> Option Kit</p> <p><b>NOTE</b>- If more than one processor is desired, additional processor selections would be 506157-B21.</p> <p>Intel® Xeon® E7450 2.4GHz Hexa Core 12MB DL580 G5 Factory Integrated Processor <span style="float: right;">487375-L21</span> Option Kit</p> <p><b>NOTE</b>- If more than one processor is desired, additional processor selections would be 487375-B21.</p> <p>Intel® Xeon® E7440 2.4GHz Quad Core 16MB DL580 G5 Factory Integrated Processor <span style="float: right;">487377-L21</span> Option Kit</p> <p><b>NOTE</b>- If more than one processor is desired, additional processor selections would be 487377-B21.</p> <p>Intel® Xeon® E7430 2.13GHz Quad Core 12MB DL580 G5 Factory Integrated Processor <span style="float: right;">487378-L21</span> Option Kit</p> <p><b>NOTE</b>- If more than one processor is desired, additional processor selections would be 487378-B21.</p>
----------------------	--

### Configuration Information - Factory Integrated Models

Intel® Xeon® E7420 2.13GHz Quad Core 8MB DL580 G5 Factory Integrated Processor Option Kit 487380-L21

**NOTE**- If more than one processor is desired, additional processor selections would be 487380-B21.

#### HP Memory

HP 2GB Fully Buffered DIMM PC2-5300 2x1GB DDR2 Memory Kit 397411-B21

HP 2GB Fully Buffered DIMM PC2-5300 2x1GB Low Power DDR2 Memory Kit 461826-B21

HP 4GB Fully Buffered DIMM PC2-5300 2x2GB DDR2 Memory Kit 397413-B21

HP 4GB Fully Buffered DIMM PC2-5300 2x2GB Low Power DDR2 Memory Kit 461828-B21

HP 8GB Fully Buffered DIMM PC2-5300 2x4GB DDR2 Memory Kit 397415-B21

HP 8GB Fully Buffered DIMM PC2-5300 2x4GB Low Power DDR2 Memory Kit 466440-B21

HP 16GB Fully Buffered DIMM PC2-5300 2x8GB DDR2 Memory Kit 413015-B21

HP 64GB Fully Buffered DIMM PC2-5300 8x8GB DDR2 Memory Kit 495604-B21

**NOTE**- Memory Option Kits include Low Power DIMMs. For more information on ProLiant Energy Efficient Features, please visit-

<http://h18004.www1.hp.com/products/servers/platforms/energyefficient/>.

#### HP Storage Controllers

##### Optional Upgrades

HP 512MB w/Battery Smart Array Battery Back Write Cache Enabler 405148-B21

HP Smart Array P400 256MB FIO Cache Module 405139-B21

**NOTE**- Supports Smart Array P400 Controller and Smart Array P400i Controller only.

### Step 3- Choose Additional Options for Factory Integration

**NOTE**- For additional options, please refer to the [Core Options](#) and [Additional Options](#) section below.

### Core Options

**NOTE**—Some options may not be integrated at the factory. To ensure only valid configurations are ordered, HP recommends the use of an HP approved configurator. Contact your local sales representative for additional information.

<b>HP Unique Options</b>	DL580 G5 tower kit	453744-B21
	DL580 G5 SAS SFF 8-bay drive cage option	452180-B21
	<b>NOTE</b> —This option provides an additional 8 SFF drives for the DL580G5. This option requires an additional storage controller.	
	PCI Express x8 3-slot option card	452181-B21
	<b>NOTE</b> —Adds three PCI Express (X8) I/O slots.	
	PCI-X 3-slot option card	452182-B21
	<b>NOTE</b> —Adds three PCI-X I/O slots (2 64bit 100MHz slots, and 1 64bit 133MHz slot)	
	DL580 G5 Memory expansion boards option	452179-B21
	<b>NOTE</b> —This option consists of 4 memory expansion boards with 4 DIMM sockets each for a total of 16 additional DIMM sockets. This brings the DL580G5 to a total of 32 DIMM sockets.	

### HP Processors

#### Six-Core Processors

HP DL580 G5 Intel® Xeon® X7460 (2.67GHz/6-core/16MB/130W) Processor Kit	487373-B21
HP DL580 G5 Intel® Xeon® L7445 (2.13GHz/6-core/12MB/50W) Processor Kit	506157-B21
HP DL580 G5 Intel® Xeon® E7450 (2.40GHz/6-core/12MB/90W) Processor Kit	487375-B21

#### Quad-Core Processors

HP DL580 G5 Intel® Xeon® E7440 (2.40GHz/4-core/16MB/90W) Processor Kit	487377-B21
HP DL580 G5 Intel® Xeon® E7430 (2.13GHz/4-core/12MB/90W) Processor Kit	487378-B21
HP DL580 G5 Intel® Xeon® E7420 (2.13GHz/4-core/8MB/90W) Processor Kit	487380-B21
HP DL580 G5 Intel® Xeon® X7350 (2.93GHz/4-core/8MB/130W) Processor Kit	451999-B21
HP DL580 G5 Intel® Xeon® E7340 (2.40GHz/4-core/8MB/80W) Processor Kit	438090-B21
HP DL580 G5 Intel® Xeon® E7330 (2.40GHz/4-core/6MB/80W) Processor Kit	438091-B21
HP DL580 G5 Intel® Xeon® E7320 (2.13GHz/4-core/4MB/80W) Processor Kit	438092-B21
HP DL580 G5 Intel® Xeon® E7310 (1.60GHz/4-core/4MB/80W) Processor Kit	438093-B21
HP DL580 G5 Intel® Xeon® L7345 (1.86GHz/4-core/8MB/50W) Processor Kit	438100-B21

#### Dual-Core Processors

HP DL580 G5 Intel® Xeon® E7220 (2.93GHz/2-core/8MB/80W) Processor Kit	438101-B21
---	------------

### Core Options

#### HP Memory

HP 2GB Fully Buffered DIMM PC2-5300 2x1GB DDR2 Memory Kit	397411-B21
HP 2GB Fully Buffered DIMM PC2-5300 2x1GB Low Power DDR2 Memory Kit	461826-B21
HP 4GB Fully Buffered DIMM PC2-5300 2x2GB DDR2 Memory Kit	397413-B21
HP 4GB Fully Buffered DIMM PC2-5300 2x2GB Low Power DDR2 Memory Kit	461828-B21
HP 8GB Fully Buffered DIMM PC2-5300 2x4GB DDR2 Memory Kit	397415-B21
HP 8GB Fully Buffered DIMM PC2-5300 2x4GB Low Power DDR2 Memory Kit	466440-B21
HP 16GB Fully Buffered DIMM PC2-5300 2x8GB DDR2 Memory Kit	413015-B21
HP 64GB Fully Buffered DIMM PC2-5300 8x8GB DDR2 Memory Kit	495604-B21

#### Memory Board Upgrade Option

DL580 G5 memory expansion boards option	452179-B21
---	------------

**NOTE** This option consists of 4 memory expansion boards with 4 DIMM sockets each for a total of 16 additional DIMM sockets. This brings the DL580G5 to a total of 32 DIMM sockets.

**NOTE** Memory Option Kits include Low Power DIMMs. For more information on ProLiant Energy Efficient Features, please visit

<http://h18004.www1.hp.com/products/servers/platforms/energyefficient/>.

#### HP Optical Drives

HP 8X/24X SlimLine DVD-ROM Drive	264007-B21
<b>NOTE</b> For models equipped with 7200 and 7300-series CPUs.	
HP 8X Slim DVD+RW Drive	383975-B21
<b>NOTE</b> For models equipped with 7200 and 7300-series CPUs.	
HP Slim SATA DVD-ROM Optical Drive	481041-B21
<b>NOTE</b> For models equipped with 7400-series CPUs.	
HP Slim SATA DVD RW Optical Drive	481043-B21
<b>NOTE</b> For models equipped with 7400-series CPUs.	

#### HP Hard Drives

**NOTE** The components of a storage subsystem (e.g. the drive, the HBA/controller, firmware, and the server backplane) should operate at the same data transfer rate or the system bandwidth will be negotiated down to an acceptable level for all components.

**NOTE** Hard drives have either a one year or three year warranty<sup>3</sup> refer to the specific hard drive QuickSpecs for details.

#### SAS Hot Plug SFF (2.5-inch) Enterprise (ENT) Drives

HP 300GB 6G SAS 10K rpm SFF (2.5-inch) Dual Port Enterprise 3yr Warranty Hard Drive	507127-B21
HP 146GB 6G SAS 15K rpm SFF (2.5-inch) Dual Port Enterprise 3yr Warranty Hard Drive	512547-B21
HP 146GB 6G SAS 10K rpm SFF (2.5-inch) Dual Port Enterprise 3yr Warranty Hard Drive	507125-B21
HP 72GB 6G SAS 15K rpm SFF (2.5-inch) Dual Port Enterprise 3yr Warranty Hard Drive	512545-B21

#### SAS Hot Plug SFF (2.5-inch) Midline (MDL) Drives

HP 500GB 6G SAS 7.2K rpm SFF (2.5-inch) Dual Port Midline 1yr Warranty Hard Drive	507610-B21
---	------------

**NOTE** Please see the QuickSpecs for Technical Specifications and additional information

[http://h18004.www1.hp.com/products/quickspecs/12244\\_zdiv/12244\\_zdiv.html](http://h18004.www1.hp.com/products/quickspecs/12244_zdiv/12244_zdiv.html) (Worldwide)

### Core Options

#### SATA Hot Plug SFF (2.5-inch) Midline (MDL) Drives

HP 500GB 3G SATA 7.2K rpm SFF (2.5-inch) Midline 1yr Warranty Hard Drive 507750-B21

HP 160GB 3G SATA 7.2K rpm SFF (2.5-inch) Midline 1yr Warranty Hard Drive 530888-B21

#### SATA Hot Plug SFF (2.5-inch) Entry (ETY) Drives

HP 250GB 3G SATA 5.4K rpm SFF (2.5-inch) Entry 1yr Warranty Hard Drive 460355-B21

HP 120GB 1.5G SATA 5.4K rpm SFF (2.5-inch) Entry 1yr Warranty Hard Drive 458924-B21

#### SATA Hot Plug Midline (MDL) Solid State Drives

HP 60GB 3G SATA SFF (2.5-inch) Midline 1yr Warranty Solid State Drive 572071-B21

HP 120GB 3G SATA SFF (2.5-inch) Midline 1yr Warranty Solid State Drive 572073-B21

**NOTE**—Please see the [QuickSpecs for Technical Specifications and additional information](#)

[http://h18000.www1.hp.com/products/quickspecs/13021\\_zdiv/13021\\_zdiv.html](http://h18000.www1.hp.com/products/quickspecs/13021_zdiv/13021_zdiv.html)  
(Worldwide)

### HP Networking

#### Gigabit Ethernet Adapters

HP NC112T PCIe Gigabit Server Adapter 503746-B21

HP NC360T PCI Express Dual Port Gigabit Server Adapter 412648-B21

HP NC364T PCI Express Quad Port Gigabit Server Adapter 435508-B21

**NOTE**—There is a maximum of five NC364T PCI Express Quad Port Gigabit Server Adapter NICs allowed in this server.

HP NC373F PCI Express Multifunction Gigabit Server Adapter 394793-B21

HP NC373T PCI Express Multifunction Gigabit Server Adapter 394791-B21

HP NC382T PCI Express Dual Port Multifunction Gigabit Server Adapter 458492-B21

#### 10 Gigabit Ethernet Adapters

**NOTE**—No more than two 10GbE I/O devices are supported in a single ProLiant server.

**NOTE**—A minimum of two Gigabytes (2 GB) of server memory is required per each adapter.

**NOTE**—Direct Attach Cable (DAC) for copper environments or fiber transceivers and cables for fiber-optic environments must be purchased separately.

HP NC522SFP Dual Port 10GbE Server Adapter 468332-B21

**NOTE**—Please see the [QuickSpecs for Technical Specifications and additional information](#)—[www.hp.com/go/ProLiantNICs](http://www.hp.com/go/ProLiantNICs)

### HP InfiniBand

HP IB 4X DDR Conn-X PCI-e Dual Port HCA 448397-B21

HP IB 4X DDR PCI-e DUAL PORT 0 mem HCA 483513-B21

**NOTE**—Please see the [QuickSpecs for additional information](#)

[http://h18000.www1.hp.com/products/quickspecs/13078\\_zdiv/13078\\_zdiv.html](http://h18000.www1.hp.com/products/quickspecs/13078_zdiv/13078_zdiv.html)



### Core Options

#### HP Power Supplies

**NOTE**-Prior to making a power supply selection it is highly recommended that the HP Power Advisor is run to determine the right size power supply for your server configuration. The HP Power Advisor is located at-[www.hp.com/go/hppoweradvisor](http://www.hp.com/go/hppoweradvisor).

**NOTE**-Two Hot Plug Power Supplies needed for standard operation. Four Hot Plug Power Supplies needed to add redundancy. Configurations with 3 or 4 processors that will use lowline (110V) input power require four Hot Plug Power Supplies.

HP 1200W 12V Hot plug AC Power Supply

437572-B21

HP 1200W-48V DC Common Slot Power Supply

437573-B21

**NOTE**-DC power supplies contain a -48V DC power cord designed for in rack DC power rectifiers.

### Additional Options

**NOTE**—Some options may not be integrated at the factory. To ensure only valid configurations are ordered, HP recommends the use of an HP approved configurator. Contact your local sales representative for additional information.

#### HP Insight Software

#### HP Insight Control

HP Insight Control, Single-Server License including 1 year of 24x7 Technical Support and Updates 452148-B22

HP Insight Control suite, No Media, Electronic License including 1 year of 24x7 Technical Support and Updates T9074BAE

HP Insight Control, Electronic License for bundling with ProLiant ML/DL server, including 1 year of 24x7 Technical Support and Updates TC278AAE

HP Insight Control, Tracking License for bundling with ProLiant ML/DL server, including 1 year of 24x7 Technical Support and Updates TC275A

**NOTE**—Electronic and Flexible-Quantity licenses can be used to purchase multiple licenses with a single activation key.

**NOTE**—Electronic software is available in all countries except China and Japan. Customers in China and Japan should order the physical equivalent.

**NOTE**—Customer will receive a license entitlement certificate. The license entitlement certificate must be redeemed online or via fax in order to obtain the license activation key(s). Includes one year of 24 x 7 HP Software Technical Support and Update Service.

**NOTE**—Licenses ship without media. The HP Insight Control Media Kit can be ordered separately, or can be downloaded at <http://www.hp.com/go/insightupdates>.

**NOTE**—For additional license options please see the Insight Control QuickSpecs at [http://h18000.www1.hp.com/products/quickspecs/12631\\_zdiv/12631\\_zdiv.html](http://h18000.www1.hp.com/products/quickspecs/12631_zdiv/12631_zdiv.html)

#### HP Insight Control for Linux

HP Insight Control for Linux, 1-server license, including one year of 24x7 Technical Support and Updates, Electronic TC213AAE

HP Insight Control for Linux, No Media, 1-Server license, including one year of 24x7 Technical Support and Updates TC209A

HP Insight Control for Linux, Media pack (DVD) - No licenses included TC208A

**NOTE**—Media pack DVD contains the ISO image for HP Insight Control for Linux, HP Systems Insight Manager, HP Insight Control power management, HP Insight Control virtual machine management, and an integrated installer. Servers must be acquired separately.

**NOTE**—Licenses ship without media. The Media Kit for Insight Control for Linux can be ordered separately, or can be downloaded at <http://www.hp.com/go/ic-linux> (click on Download button).

**NOTE**—Electronic software is available in all countries except China and Japan. Customers in China and Japan should order the physical equivalent.

**NOTE**—Electronic and Flexible-Quantity licenses can be used to purchase multiple licenses with a single set of activation keys.

**NOTE**—For additional License Kits, including electronic licensing options, please see the QuickSpecs at

[http://h18000.www1.hp.com/products/quickspecs/13019\\_zdiv/13019\\_zdiv.html](http://h18000.www1.hp.com/products/quickspecs/13019_zdiv/13019_zdiv.html)

#### HP Integrated Lights-Out (iLO) Advanced

HP Integrated Lights-Out Advanced, No Media, 1-Server License, including 1 year of 24x7 Technical Support and Updates 512485-B21

### Additional Options

HP ProLiant Essentials Integrated Lights-Out Advanced Pack, Electronic, including 1 year of 24x7 Technical Support and Updates TA850AAE

**NOTE** This license allows 1 server to be deployed and managed via HP iLO Advanced. Customer will receive a printed license entitlement certificate via physical shipment. The license entitlement certificate must be redeemed online or via fax in order to obtain the license activation key(s). Includes one year of 24 x 7 HP Software Technical Support Service

**NOTE** Electronic software is available in all countries except China and Japan. Customers in China and Japan should order the physical equivalent.

**NOTE** For additional license kits, including electronic delivery options, please see the QuickSpecs at

[http://h18000.www1.hp.com/products/quickspecs/12362\\_zdiv/12362\\_zdiv.html](http://h18000.www1.hp.com/products/quickspecs/12362_zdiv/12362_zdiv.html)

#### HP Insight Control server deployment

HP Insight Control server deployment Electronic License including 1 year 24x7 Technical Support and Updates T9082AAE

HP Insight Control server deployment 1-Server License including 1 year 24x7 Technical Support and Updates 452151-B21

**NOTE** Licenses ship without media. The Insight Control Media Kit can be ordered separately, or can be downloaded at <http://www.hp.com/go/insightupdates>.

**NOTE** Electronic licenses can be used to purchase multiple licenses with a single activation key and is available in all countries except China and Japan. Customers in China and Japan should order the physical equivalent.

**NOTE** Customer will receive a license entitlement certificate, which must be redeemed online or via fax in order to obtain the license activation key(s). Includes one year of 24 x 7 HP Software Technical Support Service.

**NOTE** For additional license kits please see the Insight Control QuickSpecs at

[http://h18004.www1.hp.com/products/quickspecs/12631\\_zdiv/12631\\_zdiv.html](http://h18004.www1.hp.com/products/quickspecs/12631_zdiv/12631_zdiv.html)

#### HP I/O Accelerator Options

HP 160GB SLC PCIe ioDrive 600278-B21

**NOTE** A low-profile PCI bracket is included for use in low-profile slots.

HP 320GB MLC PCIe ioDrive 600279-B21

**NOTE** A low-profile PCI bracket is included for use in low-profile slots.

HP 320GB SLC PCIe ioDrive Duo 600281-B21

HP 640GB MLC PCIe ioDrive Duo 600282-B21

**NOTE** Please see the QuickSpecs for Technical Specifications and additional information

[http://h18000.www1.hp.com/products/quickspecs/13587\\_zdiv/13587\\_zdiv.html](http://h18000.www1.hp.com/products/quickspecs/13587_zdiv/13587_zdiv.html) (Worldwide)

#### HP Storage Controllers

##### SAS Controllers

##### Smart Array E200 Controller

HP Smart Array E200/128 BBWC 2-ports Int PCIe x4 SAS Controller 411508-B21

##### Smart Array E500 Controller

HP Smart Array E500/256 2-ports Ext PCIe x8 SAS Controller 435129-B21

### Additional Options

#### Smart Array P400 Controller

HP Smart Array P400/256 2-ports Int PCIe x8 SAS Controller 405132-B21

HP Smart Array P400 512MB Battery Kit 411064-B21

#### Smart Array P600 Controller

HP Smart Array P600/256 1-ports Int/2-ports Ext PCI-X SAS Controller 337972-B21

#### Smart Array P800 Controller

HP Smart Array P800/512 BBWC 2-ports Int/2-ports Ext PCIe x8 SAS Controller 381513-B21

#### Smart Array P212 Controller

HP Smart Array P212/ZM 1-ports Int/1-ports Ext PCIe x8 SAS Controller 462828-B21

HP Smart Array P212/256 1-ports Int/1-ports Ext PCIe x8 SAS Controller 462834-B21

#### Smart Array P410 Controller

HP Smart Array P410/256 2-ports Int PCIe x8 SAS Controller 462862-B21

HP Smart Array P410/512 BBWC 2-ports Int PCIe x8 SAS Controller 462864-B21

HP Smart Array P410/1G FBWC 2-ports Int PCIe x8 SAS Controller 572532-B21

HP Smart Array P410/512 FBWC 2-ports Int PCIe x8 SAS Controller 578230-B21

#### Smart Array P411 Controller

HP Smart Array P411/256 2-ports Ext PCIe x8 SAS Controller 462830-B21

HP Smart Array P411/512 BBWC 2-ports Ext PCIe x8 SAS Controller 462832-B21

HP Smart Array P411/1G FBWC 2-ports Ext PCIe x8 SAS Controller 572531-B21

HP Smart Array P411/512 FBWC 2-ports Ext PCIe x8 SAS Controller 578229-B21

#### Smart Array P812 Controller

HP Smart Array P812/1G FBWC 2-ports Int/4-ports Ext PCIe x8 SAS Controller 487204-B21

#### Optional Upgrades

HP 128MB SA641/642/E200 Battery Backed Write Cache 351580-B21

**NOTE** Supports the Smart Array E200 Controller and Smart Array 642 Controller.

HP Smart Array P400 Battery Attach Kit 417836-B21

**NOTE** This option kit contains a 24-pin battery cable and adhesive material for installing a battery into the server if a Smart Array P400 is integrated outside of the factory or if the BBWC is not pre-installed from the factory. For all solutions, please refer to the server QuickSpecs and User's Manual for detailed installation instructions.

HP 512MB w/Battery Smart Array Battery Back Write Cache Enabler 405148-B21

**NOTE** For Smart Array P400 Controller only.

HP Smart Array Cache Battery Kit 383280-B21

**NOTE** For Smart Array P400 Controller only.

HP 256MB P-series Cache Upgrade 462968-B21

**NOTE** Supported on HP Smart Array P212 Controller only.

HP 512MB P-Series Battery Backed Write Cache Upgrade 462967-B21

**NOTE** Supported on HP Smart Array P410 Controller and HP Smart Array P411 Controller only.

HP 1GB Flash Backed Cache 534562-B21

HP 512MB Flash Backed Write Cache 534916-B21

### Additional Options

HP Smart Array Advanced Pack including 1yr 24x7 Technical Support and Updates Single Server License 516471-B21

**NOTE** This part number can be used to purchase a single license or to order multiple licenses with a single activation key. Customers will receive a license entitlement certificate via e-mail. The license entitlement certificate must be redeemed online or via fax in order to obtain the license activation key(s). Include one year of 24x7 HP Software Technical Support Services.

**NOTE** Please see the QuickSpecs for Technical Specifications and additional information

[http://h18000.www1.hp.com/products/quickspecs/12460\\_zdiv/12460\\_zdiv.html](http://h18000.www1.hp.com/products/quickspecs/12460_zdiv/12460_zdiv.html)  
(Smart Array E200 Controller)

[http://h18000.www1.hp.com/products/quickspecs/12700\\_zdiv/12700\\_zdiv.html](http://h18000.www1.hp.com/products/quickspecs/12700_zdiv/12700_zdiv.html)  
(Smart Array E500 Controller)

[http://h18000.www1.hp.com/products/quickspecs/12400\\_zdiv/12400\\_zdiv.html](http://h18000.www1.hp.com/products/quickspecs/12400_zdiv/12400_zdiv.html)  
(Smart Array P400 Controller)

[http://h18000.www1.hp.com/products/quickspecs/12247\\_zdiv/12247\\_zdiv.html](http://h18000.www1.hp.com/products/quickspecs/12247_zdiv/12247_zdiv.html)  
(Smart Array P600 Controller)

[http://h18000.www1.hp.com/products/quickspecs/12616\\_zdiv/12616\\_zdiv.html](http://h18000.www1.hp.com/products/quickspecs/12616_zdiv/12616_zdiv.html)  
(Smart Array P800 Controller)

[http://h18000.www1.hp.com/products/quickspecs/13203\\_zdiv/13203\\_zdiv.html](http://h18000.www1.hp.com/products/quickspecs/13203_zdiv/13203_zdiv.html)  
(Smart Array P212 Controller)

[http://h18000.www1.hp.com/products/quickspecs/13201\\_zdiv/13201\\_zdiv.html](http://h18000.www1.hp.com/products/quickspecs/13201_zdiv/13201_zdiv.html)  
(Smart Array P410 Controller)

[http://h18000.www1.hp.com/products/quickspecs/13202\\_zdiv/13202\\_zdiv.html](http://h18000.www1.hp.com/products/quickspecs/13202_zdiv/13202_zdiv.html)  
(Smart Array P411 Controller)

[http://h18000.www1.hp.com/products/quickspecs/13558\\_zdiv/13558\\_zdiv.html](http://h18000.www1.hp.com/products/quickspecs/13558_zdiv/13558_zdiv.html)  
(Smart Array P812 Controller)

[http://h18000.www1.hp.com/products/quickspecs/13200\\_zdiv/13200\\_zdiv.html](http://h18000.www1.hp.com/products/quickspecs/13200_zdiv/13200_zdiv.html)  
(Smart Array Advanced Pack)

#### SAS Controller Options

HP 24 Bay 3Gb SAS Expander Card 468406-B21

**NOTE** Please see the QuickSpecs for Technical Specifications and additional information

[http://h18004.www1.hp.com/products/quickspecs/13232\\_na/13232\\_na.html](http://h18004.www1.hp.com/products/quickspecs/13232_na/13232_na.html)  
(SAS Expander Card)

#### SAS HBA

HP SC08Ge 2-ports Ext PCIe x8 SAS Host Bus Adapter 488765-B21

HP Modular Smart Array SC44Ge 1-ports Int/1-ports Ext PCIe x8 SAS Host Bus Adapter 416096-B21

**NOTE** When using the SC44Ge with SATA hard drives, 1.5G SATA models are required.

HP 64/133 2-ports Int PCI-X SAS Host Bus Adapter 347786-B21

**NOTE** When using the 8 Internal Port SAS HBA with SATA hard drives, 1.5G SATA models are required.

**NOTE** Please see the QuickSpecs for Technical Specifications and additional information

[http://h18004.www1.hp.com/products/quickspecs/13082\\_zdiv/13082\\_zdiv.html](http://h18004.www1.hp.com/products/quickspecs/13082_zdiv/13082_zdiv.html)  
(SC08Ge HBA)

[http://h18004.www1.hp.com/products/quickspecs/12617\\_zdiv/12617\\_zdiv.html](http://h18004.www1.hp.com/products/quickspecs/12617_zdiv/12617_zdiv.html)

### Additional Options

(SC44Ge HBA)

[http://h18004.www1.hp.com/products/quickspecs/12332\\_zdiv/12332\\_zdiv.html](http://h18004.www1.hp.com/products/quickspecs/12332_zdiv/12332_zdiv.html)

(8 Internal Port SAS HBA)

#### SCSI Controllers for External Drive/Storage Support

HP 128MB SA641/642/E200 Battery Backed Write Cache

351580-B21

**NOTE** Supports the Smart Array 641, and Smart Array 642 Controller.

#### SCSI HBA

HP SC11Xe Ultra320 Single Channel/ PCIe x4 SCSI Host Bus Adapter

412911-B21

**NOTE** Recommended HBA for SCSI tape drive connect.

**NOTE** Please see the QuickSpecs for Technical Specifications and additional information [www.hp.com/products/smartarray](http://www.hp.com/products/smartarray)

### HP Power Cords

HP IEC320-C14 to C13 (10A/10ft/3.0m) PDU Cable

142257-003

### HP Tape Backup

**NOTE** For the complete range of StorageWorks tape drives, autoloaders, libraries and media see <http://www.hp.com/go/tape>. For hardware and software compatibility of HP StorageWorks tape backup products see <http://www.hp.com/go/connect>.

#### Rack-Mount Tape Solutions

HP StorageWorks DAT 320 USB Tape Drive in 1U USB Rack Kit

AP835A

HP StorageWorks DAT 320 USB Internal Tape Drive

AJ825A

HP StorageWorks DAT 320 SAS Internal Tape Drive

AJ830A

**NOTE** Connection using HP SC44Ge SAS Host Bus Adapter (416096-B21) recommended.

HP StorageWorks DAT 320 SAS External Tape Drive

AJ828A

DAT 320 USB External Tape Drive

AJ823A

HP StorageWorks 1/8 G2 LTO-4 Ultrium 1760 SAS Tape Autoloader

AK377A

**NOTE** Requires HP 1U Tape Autoloader Rack Kit (AH166A) for rack installation.

Connection using HP SC44Ge SAS Host Bus Adapter (416096-B21) recommended.

HP StorageWorks 1/8 G2 LTO-3 Ultrium 920 SAS Autoloader

AH558A

HP StorageWorks LTO-3 Ultrium 920 SAS Internal Tape Drive

EH847A

**NOTE** Connection using HP SC44Ge SAS Host Bus Adapter (416096-B21) recommended.

HP StorageWorks LTO-4 Ultrium 1760 SAS Internal Tape Drive

EH919A

**NOTE** Connection using HP SC44Ge SAS Host Bus Adapter (416096-B21) recommended.

HP StorageWorks LTO-4 Ultrium 1840 SAS Internal Tape Drive

EH860A

**NOTE** Connection using HP SC44Ge SAS Host Bus Adapter (416096-B21) recommended.

HP StorageWorks LTO-5 Ultrium 3280 Internal Tape Drive

EH899A

**NOTE** For installation into 3U SAS rack kit (AG576B). No peripheral bay available for installation into the server. Connection using the HP SC44Ge SAS Host Bus Adapter (416096-B21) recommended.

HP StorageWorks LTO448 SAS Int Drive

DW085A

### Additional Options

HP StorageWorks MSL2024 1 LTO-4 Ultrium 1760 SAS Drive Library	AK378A
HP StorageWorks MSL2024 0-drive, 24 Slot Tape Library	AK379A
HP MSL2024 Ultr 920 SAS Tape Library	AH559A
HP MSL4048 0-Drive Tape Library	AK381A
HP MSL4048 2 LTO-4 Ultr 1760 SAS Library	AK380A
HP MSL4048 Ultr 920 SAS Tape Library	AH560A
HP MSL8048 0-drive 48 Slot Tape Library	AU300A
HP MSL8096 2 LTO-4 Ultr 1760 SAS Library	AK382A

### HP Disk Backup

**NOTE** For the complete range of StorageWorks D2D Backup Systems see <http://www.hp.com/go/d2d>. For the complete range of StorageWorks RDX drives and media see <http://www.hp.com/go/rdx>. For hardware and software compatibility of HP StorageWorks disk backup products see <http://www.hp.com/go/connect>.

#### HP StorageWorks RDX Removable Disk Backup Systems USB

HP StorageWorks RDX500 Internal Removable Disk Backup System <b>NOTE</b> For installation into 1U USB Rack-Mount Kit (A8007A). No peripheral bay available for drive installation into the server. 500GB of disk capacity per data cartridge.	AJ934A
HP StorageWorks RDX750 Internal Removable Disk Backup System <b>NOTE</b> For installation into 1U USB Rack-Mount Kit (A8007A). No peripheral bay available for drive installation into the server. 750GB of disk capacity per data cartridge.	AW577A
HP StorageWorks RDX 1TB Internal Removable Disk Backup System <b>NOTE</b> For installation into 1U USB Rack-Mount Kit (A8007A). No peripheral bay available for drive installation into the server. 1 TB of disk capacity per data cartridge.	BV847A

### HP StorageWorks Options StorageWorks Fibre Channel HBA

**NOTE** The following is a list of all Fibre Channel Host Bus Adapters for Windows and Linux. For detailed compatibility information please see <http://h18006.www1.hp.com/storage/saninfrastructure/hba.html>

#### Brocade Fibre Channel HBAs

HP StorageWorks 81B PCI-e FC HBA Single Port	AP769A
HP StorageWorks 82B PCI-e FC HBA Dual Port	AP770A
HP StorageWorks 41B 4Gb PCI-e FC HBA	AP767A
HP StorageWorks 42B 4Gb Dual-Port PCI-e FC HBA	AP768A

#### Emulex Fibre Channel HBAs

HP StorageWorks 81E PCI-e FC HBA Single Port	AJ762A
HP StorageWorks 82E PCI-e FC HBA Dual Port	AJ763A
HP StorageWorks FC2142 4Gb PCI-e HBA	A8002A
HP StorageWorks FC2242 Dual Channel 4Gb PCI-e HBA	A8003A

#### QLogic Fibre Channel HBAs

HP StorageWorks 81Q PCI-e FC HBA Single Port	AK344A
--	--------

### Additional Options

HP StorageWorks 82Q PCI-e FC HBA Dual Port	AJ764A
HP StorageWorks FC1142 4Gb PCI-e HBA	AE311A
HP StorageWorks FC1242 Dual Channel 4Gb PCI-e HBA	AE312A
<b>StorageWorks SCSI HBA</b>	
HP U320e SCSI Host Bus Adapter	AH627A
<b>NOTE</b> —Recommended HBA for MSL SCSI Tape Library connect.	
<b>StorageWorks Converged Network Adapter</b>	
HP CN1000E 2P Converged Network Adapter	AW520A

### HP Disk Storage Systems **MSA SAN Storage Arrays**

HP StorageWorks 50 Modular Smart Array	364430-B21
<b>NOTE</b> —Please see the QuickSpecs for additional options and configuration information at <a href="http://h18000.www1.hp.com/products/quickspecs/12245_zdiv/12245_zdiv.html">http://h18000.www1.hp.com/products/quickspecs/12245_zdiv/12245_zdiv.html</a> (Worldwide)	
HP StorageWorks 60 Modular Smart Array	418408-B21
<b>NOTE</b> —Supports 12 SFF drives, and SAS 3 Gb/s and SATA 1.5 Gb/s	
<b>NOTE</b> —Please see the QuickSpecs for additional options and configuration information at <a href="http://h18000.www1.hp.com/products/quickspecs/12627_zdiv/12627_zdiv.html">http://h18000.www1.hp.com/products/quickspecs/12627_zdiv/12627_zdiv.html</a> (Worldwide)	
HP StorageWorks 70 Modular Smart Array	418800-B21
<b>NOTE</b> —Supports 25 SFF drives, and SAS 3 Gb/s and SATA 1.5 Gb/s.	
<b>NOTE</b> —Please see the QuickSpecs for additional options and configuration information at <a href="http://h18000.www1.hp.com/products/quickspecs/12652_zdiv/12652_zdiv.html">http://h18000.www1.hp.com/products/quickspecs/12652_zdiv/12652_zdiv.html</a> (Worldwide)	
<b>Disk Enclosures</b>	
HP StorageWorks D2600 Disk Enclosure	AJ940A
<b>NOTE</b> —Please see the QuickSpecs for additional options and configuration information at <a href="http://h18000.www1.hp.com/products/quickspecs/13404_zdiv/13404_zdiv.html">http://h18000.www1.hp.com/products/quickspecs/13404_zdiv/13404_zdiv.html</a> (Worldwide)	



### Additional Options

<b>HP Uninterruptible Power Systems</b>	<p><b>HP Rack-mountable UPS</b></p> <p><b>HP R/T3000 Uninterruptible Power System (UPS)</b></p> <p>HP R/T3000 UPS, Low voltage NA/JPN <span style="float: right;">AF452A</span></p> <p>HP R/T3000 UPS, High voltage, NA/JPN <span style="float: right;">AF453A</span></p> <p>HP R/T3000 UPS, High voltage, detachable inlet cord INTL <span style="float: right;">AF454A</span></p> <p><b>NOTE</b>—Please see the QuickSpecs for additional information—  <a href="http://h18000.www1.hp.com/products/quickspecs/13417_zdiv/13417_zdiv.html">http://h18000.www1.hp.com/products/quickspecs/13417_zdiv/13417_zdiv.html</a>          (Worldwide)</p> <p><b>HP Rack-Mountable R5500 UPS</b></p> <p>HP R5500 VA UPS, INTL <span style="float: right;">AF416A</span></p> <p>HP R5500 VA UPS, NA/JPN <span style="float: right;">AF426A</span></p> <p><b>NOTE</b>—Please see the QuickSpecs for Technical Specifications and additional information—  <a href="http://h18000.www1.hp.com/products/quickspecs/11871_zdiv/11871_zdiv.html">http://h18000.www1.hp.com/products/quickspecs/11871_zdiv/11871_zdiv.html</a>          (Worldwide)</p> <p><b>NOTE</b>—For additional information on HP Uninterruptible Power Systems please go to—  <a href="http://www.hp.com/servers/rackups">www.hp.com/servers/rackups</a>.</p> <p><b>NOTE</b>—Please see the UPS and PDU cable matrix's on the HP Power Protection and Management page. Under Power Cords, click on the <a href="#">HP Power Cord Matrix</a> link. That link will list cable descriptions, requirements, and specifications for UPS and PDU units. Please see the following link—<a href="http://www.hp.com/products/powercords">www.hp.com/products/powercords</a>.</p>
---	---

<b>HP Power Distribution Unit</b>	<p><b>Monitored PDUs</b></p> <p><b>HP Monitored Power Distribution Unit—Full Rack Version</b></p> <p>HP 8.6 kVA S1324 Monitored PDU- single input, 3Ø, 24A (NA/JPN) <span style="float: right;">AF504A</span></p> <p>HP 8.3 S1140 Monitored PDU- single input, 1Ø, 40A (NA/JPN) <span style="float: right;">AF506A</span></p> <p>HP 11 kVA S1316 Monitored PDU- single input, 3Ø, 16A (INTL) <span style="float: right;">AF508A</span></p> <p>HP 7.3 kVA S1132 Monitored PDU- single input, 1Ø, 32A (INTL) <span style="float: right;">AF510A</span></p> <p><b>HP Monitored Power Distribution Unit—Half Rack Version</b></p> <p>HP 17.3 kVA S348 Monitored PDU- single input, 3Ø, 48A (NA/JPN) <span style="float: right;">AF916A</span></p> <p>HP 4.9 kVA S124 Monitored PDU- single input, 1Ø, 24A (NA/JPN) <span style="float: right;">AF914A</span></p> <p>HP 7.3 kVA S132 Monitored PDU- single input, 1Ø, 32A (INTL) <span style="float: right;">AF915A</span></p> <p><b>NOTE</b>—Please see the QuickSpecs for Technical Specifications and additional information—  <a href="http://h18000.www1.hp.com/products/quickspecs/12118_zdiv/12118_zdiv.html">http://h18000.www1.hp.com/products/quickspecs/12118_zdiv/12118_zdiv.html</a>          (Worldwide)</p> <p><b>Power Distribution Units 1U/0U (Up to 32 outlets)</b></p> <p><b>NOTE</b>—1U/0U mounting brackets shipped with the unit (optimized for 10000 G2 and 9000 series racks).</p> <p>3.6kVA Model - mPDU, 16A, High (WW) <span style="float: right;">252663-B24</span></p> <p>2.8 kVA Model - mPDU, 24A, Low (NA/JPN) <span style="float: right;">252663-D71</span></p> <p>4.9kVA Model - mPDU, 24A, High (NA/JPN) <span style="float: right;">252663-D72</span></p> <p>7.3kVA Model - mPDU, 32A, High (INT'L) <span style="float: right;">252663-B31</span></p>
-----------------------------------	---

### Additional Options

8.3kVA Model - mPDU, 40A, High (WW)	252663-B21
8.3kVA Model - mPDU, 40A, High (power cord attached) (NA/JPN)	252663-D73
9.2kVA Model - mPDU, 40A, High (power cord attached) (INTL)	252663-B32

**NOTE**—Please see the following Modular Power Distribution Unit (Zero-U/1U Modular PDUs) QuickSpecs for additional options including cables—

[http://h18000.www1.hp.com/products/quickspecs/11041\\_zdiv/11041\\_zdiv.html](http://h18000.www1.hp.com/products/quickspecs/11041_zdiv/11041_zdiv.html)  
(Worldwide)

**NOTE**—Please see the UPS and PDU cable matrix's on the HP Power Protection and Management page. Under Power Cords, click on the [HP Power Cord Matrix](#) link. That link will list cable descriptions, requirements, and specifications for UPS and PDU units. Please see the following link—[www.hp.com/products/powercords](http://www.hp.com/products/powercords).

### HP Rack Series

#### HP Rack 10000 G2 Series (Carbon/Graphite Metallic)

10642 G2 (42U) Rack Cabinet - Pallet	AF001A
10642 G2 (42U) Rack Cabinet - Shock Pallet	AF002A
HP 10642G2 1200mm deep Rack cabinet Shock Rack	AF092A
HP 10647G2 1200mm deep Rack cabinet Shock Rack	AF094A

**NOTE**—It is mandatory to use a shock pallet when shipping racks with equipment installed.

**NOTE**—Please see the QuickSpecs for Technical Specifications and additional information—

[http://h18000.www1.hp.com/products/quickspecs/12402\\_zdiv/12402\\_zdiv.html](http://h18000.www1.hp.com/products/quickspecs/12402_zdiv/12402_zdiv.html)  
(Worldwide)

**NOTE**—For additional information regarding Rack Cabinets, please see the following URL—<http://www.hp.com/go/rackandpower>.

**NOTE**—The increasing power of new high-performance processor technology requires increased cooling efficiency for rack-mounted servers. The 10000 G2 Series Racks provide enhanced airflow for maximum cooling, allowing these racks to be fully loaded with servers using the latest processors.

**CAUTION**—If a third-party rack is used, observe the following additional requirements to ensure adequate airflow and to prevent damage to the equipment—Front and rear doors—If your 42U server rack includes closing front and rear doors, you must allow 830 square inches (5,350 sq cm) of hole evenly distributed from top to bottom to permit adequate airflow (equivalent to the required 64 percent open area for ventilation). Side—The clearance between the installed rack component and the side panels of the rack must be a minimum of 2.75 inches (7 cm).

**CAUTION**—Always use blanking panels to fill all remaining empty front panel U-spaces in the rack. This arrangement ensures proper airflow. Using a rack without blanking panels results in improper cooling that can lead to thermal damage.

**NOTE**—Quick deploy rail system provides tool-free support for racks with square or round mounting holes (including Compaq/HP 7000, 9000, 10000 G2 and HP series), with an adjustment range of 24& 36&. The ambidextrous cable management arm can be mounted on either the left or right side for improved cable management.

### Additional Options

#### HP Rack Options

#### HP Server Console Switches

HP Server console switch 0x2x8 AF616A

HP Server console switch 0x2x16 AF617A

**NOTE**—Please see the QuickSpecs for Technical Specifications and additional information—

[http://h18000.www1.hp.com/products/quickspecs/11834\\_zdiv/11834\\_zdiv.html](http://h18000.www1.hp.com/products/quickspecs/11834_zdiv/11834_zdiv.html)  
(Worldwide)

#### HP Server Console Switch G2 with Virtual Media & CAC

0x2x16 KVM Server Console G2 Switch with Virtual Media and CAC AF618A

0x2x32 KVM Server Console G2 Switch with Virtual Media and CAC AF619A

**NOTE**—Please see the QuickSpecs for Technical Specifications and additional information—

[http://h18000.www1.hp.com/products/quickspecs/13475\\_zdiv/13475\\_zdiv.html](http://h18000.www1.hp.com/products/quickspecs/13475_zdiv/13475_zdiv.html)  
(Worldwide)

#### HP IP Console Switch G2 with Virtual Media & CAC

1x1Ex8 KVM IP Console Switch G2 with Virtual Media and CAC AF620A

2x1Ex16 KVM IP Console Switch G2 with Virtual Media and CAC AF621A

4x1Ex32 KVM IP Console Switch G2 with Virtual Media and CAC AF622A

**NOTE**—Please see the QuickSpecs for Technical Specifications and additional information—

[http://h18000.www1.hp.com/products/quickspecs/13474\\_zdiv/13474\\_zdiv.html](http://h18000.www1.hp.com/products/quickspecs/13474_zdiv/13474_zdiv.html)  
(Worldwide)

#### HP USB and SD Options

USB 2-Button Optical Scroll Mouse (Carbonite/Silver) DC172B

HP USB 04 Standard Keyboard DT528A#ABA

HP 2GB USB Flash Media Drive Key 608447-B21

**NOTE**—HP qualified blank USB key for use with HP ProLiant servers that support the VMware virtualization environment and other HP value-add software like SmartStart. HP recommends this industry standard USB flash device for use with VMware ESXi. USB device must be installed in the internal slot of the ProLiant server for use with VMware ESXi. Refer to [HP VMware Getting Started Guide](#) for installation instructions.

### Additional Options

#### HP Care Pack Services

#### Hardware Services On-site Service

4-Hour On-site Service, 5-Day x 13-Hour Coverage, 3 Years, Electronic U4607E

4-Hour On-site Service, 7-Day x 24-Hour Coverage, 3 Years, Electronic U4608E

#### **6-Hour Call to Repair, On-site Service 7-Day x 24-Hour Coverage, 3 Years (U.S. Part Number)**

6-Hour Call to Repair, On-site Service, 7-Day x 24-Hour Coverage, 3 Years, Electronic U4609E

#### Installation & Start-up Services

Hardware Installation, Electronic U4617E

Installation & Start-Up of a ProLiant server and Microsoft or Linux O/S per the Customer Description and/or Data Sheet. To be delivered on a scheduled basis 8am-5pm, M-F, excl. HP holidays, Electronic U4618E

Installation and Startup for Essentials Rapid Deployment Pack, Electronic U5683E

#### Support Plus

Onsite HW support, 8am-9pm, M-F, 4hr response and Microsoft O/S SW Tech support offsite, onsite at HP's discretion, 8am-9pm, M-F 2hr response time excl. HP holidays, Electronic U4619E

#### Support Plus 24

Onsite HW support 24x7, 4hr response and Microsoft O/S SW Tech support offsite, onsite at HP's discretion, 24x7 2hr response time incl. HP holidays, Electronic U4620E

Onsite HW support 24x7, 4hr response and SuSE O/S SW Tech support offsite, onsite at HP's discretion, 24x7 2hr response time incl. HP holidays, Electronic U6316E

**NOTE**-For more information, customer/resellers can contact-

<http://www.hp.com/services/carepack>

### Memory

**NOTE** Memory configurations listed do not apply to Factory Integrated Models.

**NOTE** For additional memory information and configuration rules, please see the memory section of the DL580 G5 User Guide at [http://www.hp.com/support/DL580G5\\_UG\\_en](http://www.hp.com/support/DL580G5_UG_en).

#### HP ProLiant DL580 G5 - Base memory configuration for 16 DIMM sockets in the 4 GB configuration

##### Standard Memory

4 GB PC2-5300 Fully Buffered DIMMs (DDR2-667) (4 x 1 GB)

All HP ProLiant DL580 G5 systems come standard with 4 banks of memory sockets spanning 4 memory channels for a total of 16 DIMM sockets on board memory. Memory slots xA and xB already populated with memory (2P models with 4x 1GB FBDIMM memory modules and 4P models with 4x 2GB FB DIMM memory modules) to help achieve maximum performance.

##### Upgrading Memory and Memory Interleaving

To achieve maximum memory performance and flexibility, the HP ProLiant DL580 G5 requires memory to be upgraded in groups of four identical FBDIMMs populated across the four memory channels. In simple terms, the two FBDIMM locations at xC and the two xD locations must be populated with four identical part numbered FBDIMMs. Memory population continues by populating locations xE and xF, then xG and xH. FBDIMM architecture does not allow any gaps in this sequence such that if locations xE and xF were populated and xC and xD were not, the memory at xE and xF would not be recognized by the system.

##### Standard Memory Plus Optional Memory

Up to 128 GB memory is available with the removal of the standard memory and the installation of 1 GB, 2 GB, 4 GB, and/or 8 GB PC2-5300 Fully Buffered DIMMs. Up to 256 GB memory is available with the removal of the standard memory, the installation of the DL580 G5 Memory Expansion Boards Option, and the installation of 8 GB PC2-5300 Fully Buffered DIMMs.

##### Standard Memory Replaced with Optional Memory and Utilizing the Optional Memory Expansion Boards

Up to 128 GB memory is available with the removal of the standard memory and the optional installation of PC2-5300 Fully Buffered DIMMs (DDR2-667) memory kits. When utilizing the Optional Memory Expansion boards the FBDIMM population rules apply. Four identical FBDIMMs must be populated across the four memory channels. The FBDIMM locations on the Expansion boards are labeled so that four FBDIMMs should be populated in the A locations on each board, followed by populating the four B locations continuing this sequence through locations D. eq.

Memory		Embedded DIMM Sockets							
		1	2	3	4	5	6	7	8
		1A	2C	3E	4G	5A	6C	7E	8G
<b>Standard</b>	<b>4 GB</b>	1 GB	Empty	Empty	Empty	1 GB	Empty	Empty	Empty
<b>Standard + Optional</b>	<b>Maximum= 100 GB Shown= 28 GB</b>	1 GB	2 GB	2 GB	2 GB	1 GB	2 GB	2 GB	2 GB
<b>Maximum (Without Memory Expansion Boards Option)</b>	<b>128 GB</b>	8 GB	8 GB	8 GB	8 GB	8 GB	8 GB	8 GB	8 GB

Memory		Embedded DIMM Sockets							
		9	10	11	12	13	14	15	16
		9B	10D	11F	12H	13B	14D	15F	16H
<b>Standard</b>	<b>4 GB</b>	1 GB	Empty	Empty	Empty	1 GB	Empty	Empty	Empty

### Memory

<b>Standard + Optional</b>	<b>Maximum= 100 GB Shown= 28 GB</b>	1 GB	2 GB	2 GB	2 GB	1 GB	2 GB	2 GB	2 GB
<b>Maximum (Without Memory Expansion Boards Option)</b>	<b>128 GB</b>	8 GB	8 GB	8 GB	8 GB	8 GB	8 GB	8 GB	8 GB

**NOTE-**

- [Memory channel 1 includes slots 1-4](#)
- [Memory channel 2 includes slots 5-8](#)
- [Memory channel 3 includes slots 9-12](#)
- [Memory channel 4 includes slots 13-16](#)

**HP ProLiant DL580 G5 - Base memory configuration for 16 DIMM sockets in the 8 GB configuration**

**Standard Memory**

8 GB PC2-5300 Fully Buffered DIMMs (DDR2-667) (4 x 2 GB)

All HP ProLiant DL580 G5 systems come standard with 4 banks of memory sockets spanning 4 memory channels for a total of 16 DIMM sockets on board memory . Memory slots xA and xB already populated with memory (2P models with 4x 1GB FBDIMM memory modules and 4P models with 4x 2GB FB DIMM memory modules) to help achieve maximum performance.

**Upgrading Memory and Memory Interleaving**

To achieve maximum memory performance and flexibility, the HP ProLiant DL580 G5 requires memory to be upgraded in groups of four identical FBDIMMs populated across the four memory channels. In simple terms, the two FBDIMM locations at xC and the two xD locations must be populated with four identical part numbered FBDIMMs. Memory population continues by populating locations xE and xF, then xG and xH. FBDIMM architecture does not allow any gaps in this sequence such that if locations xE and xF were populated and xC and xD were not, the memory at xE and xF would not be recognized by the system.

**Standard Memory Plus Optional Memory**

Up to 104 GB memory is available with the standard memory and the optional installation of 1 GB, 2 GB, 4 GB, and/or 8 GB PC2-5300 Fully Buffered DIMMs. One possible configuration is shown below, in which 48 GB is added to the standard 8 GB for a total of 56 GB.

**Standard Memory Replaced with Optional Memory and Utilizing the Optional Memory Expansion Boards**

Up to 128 GB memory is available with the removal of the standard memory and the optional installation of 1 GB, 2 GB, 4 GB, and/or 8 GB PC2-5300 Fully Buffered DIMMs. Up to 256 GB memory is available with the removal of the standard memory, the installation of the DL580 G5 Memory Expansion Boards Option, and the installation of 8 GB PC2-5300 Fully Buffered DIMMs.

### Memory

Memory		Embedded Slots							
		1	2	3	4	5	6	7	8
		1A	2C	3E	4G	5A	6C	7E	8G
<b>Standard</b>	<b>8 GB</b>	2 GB	Empty	Empty	Empty	2 GB	Empty	Empty	Empty
<b>Standard + Optional</b>	<b>Maximum= 104 GB Shown= 56 GB</b>	2 GB	4 GB	4 GB	4 GB	2 GB	4 GB	4 GB	4 GB
<b>Maximum (Without Memory Expansion Boards Option)</b>	<b>128 GB</b>	8 GB	8 GB	8 GB	8 GB	8 GB	8 GB	8 GB	8 GB

Memory		Embedded Slots							
		9	10	11	12	13	14	15	16
		9B	10D	11F	12H	13B	14D	15F	16H
<b>Standard</b>	<b>8 GB</b>	2 GB	Empty	Empty	Empty	2 GB	Empty	Empty	Empty
<b>Standard + Optional</b>	<b>Maximum= 104 GB Shown= 56 GB</b>	2 GB	4 GB	4 GB	4 GB	2 GB	4 GB	4 GB	4 GB
<b>Maximum (Without Memory Expansion Boards Option)</b>	<b>128 GB</b>	8 GB	8 GB	8 GB	8 GB	8 GB	8 GB	8 GB	8 GB

#### NOTE=

- Memory channel 1 includes slots 1-4
- Memory channel 2 includes slots 5-8
- Memory channel 3 includes slots 9-12
- Memory channel 4 includes slots 13-16

### Memory

#### HP ProLiant DL580 G5 - For 32 DIMM configurations with the standard shipping 4 GB of memory

##### Standard Memory

4 GB PC2-5300 Fully Buffered DIMMs (DDR2-667) (4 x 1 GB)

All HP ProLiant DL580 G5 systems come standard with 4 banks of memory sockets spanning 4 memory channels for a total of 16 DIMM sockets on board memory. The optional DL580 G5 Memory Expansion Boards Option adds an additional 16 DIMM sockets, which brings the DL580 G5 to a total of 32 DIMM sockets.

##### Upgrading Memory and Memory Interleaving

To achieve maximum memory performance and flexibility, the HP ProLiant DL580 G5 requires memory to be upgraded in groups of four identical FBDIMMs populated across the four memory channels. In simple terms, the two FBDIMM locations at xC and the two xD locations must be populated with four identical part numbered FBDIMMs. Memory population continues by populating locations xE and xF, then xG and xH. FBDIMM architecture does not allow any gaps in this sequence such that if locations xE and xF were populated and xC and xD were not, the memory at xE and xF would not be recognized by the system.

##### Standard Memory Plus Optional Memory

Up to 228 GB memory is available with the standard memory of 4 GB and the optional installation of 1 GB, 2 GB, 4 GB, and/or 8 GB PC2-5300 Fully Buffered DIMMs (DDR2-667) in all embedded DIMM sockets as well as the memory expansion boards slots. One possible configuration is shown below, in which 56 GB is added to the standard 4 GB for a total of 60 GB.

##### Standard Memory Replaced with Optional Memory

Up to 256 GB of memory is available with the removal of the standard 4 GB of memory and the optional installation of PC2-5300 Fully Buffered DIMMs in all the embedded slots as well as the memory expansion boards slots.

Memory		Embedded Slots							
		1	2	3	4	5	6	7	8
		1A	2C	3E	4G	5A	6C	7E	8G
<b>Standard</b>	<b>4 GB</b>	1 GB	Empty	Empty	Empty	1 GB	Empty	Empty	Empty
<b>Standard + Optional</b>	<b>Maximum= 228GB Shown= 60 GB</b>	1 GB	2 GB	2 GB	2 GB	1 GB	2 GB	2 GB	2 GB
<b>Maximum</b>	<b>256 GB</b>	8 GB	8 GB	8 GB	8 GB	8 GB	8 GB	8 GB	8 GB

Memory		Embedded Slots							
		9	10	11	12	13	14	15	16
		9B	10D	11F	12H	13B	14D	15F	16H
<b>Standard</b>	<b>4 GB</b>	1 GB	Empty	Empty	Empty	1 GB	Empty	Empty	Empty
<b>Standard + Optional</b>	<b>Maximum= 228 GB Shown= 60 GB</b>	1 GB	2 GB	2 GB	2 GB	1 GB	2 GB	2 GB	2 GB
<b>Maximum</b>	<b>256 GB</b>	8 GB	8 GB	8 GB	8 GB	8 GB	8 GB	8 GB	8 GB

Expansion Board Memory		Optional DL580 G5 Memory Expansion Boards Option Slots							
		17	18	19	20	21	22	23	24
		1A	2B	3C	4D	1A	2B	3C	4D
<b>Standard</b>	<b>4 GB</b>	Empty	Empty	Empty	Empty	Empty	Empty	Empty	Empty



### Memory

<b>Standard + Optional</b>	<b>Maximum= 228 GB Shown= 60 GB</b>	2 GB	2 GB	2 GB	2 GB	2 GB	2 GB	2 GB	2 GB
<b>Maximum</b>	<b>256 GB</b>	4 GB	4 GB	4 GB	4 GB	4 GB	4 GB	4 GB	4 GB
<b>Expansion Board Memory</b>		<b>Optional DL580 G5 Memory Expansion Boards Option Slots</b>							
		<b>25</b>	<b>26</b>	<b>27</b>	<b>28</b>	<b>29</b>	<b>30</b>	<b>31</b>	<b>32</b>
		1A	2B	3C	4D	1A	2B	3C	4D
<b>Standard</b>	<b>4 GB</b>	Empty	Empty	Empty	Empty	Empty	Empty	Empty	Empty
<b>Standard + Optional</b>	<b>Maximum= 228 GB Shown= 60 GB</b>	2 GB	2 GB	2 GB	2 GB	2 GB	2 GB	2 GB	2 GB
<b>Maximum</b>	<b>256 GB</b>	4 GB	4 GB	4 GB	4 GB	4 GB	4 GB	4 GB	4 GB
<b>NOTE:</b>									
<ul style="list-style-type: none"> <li>• Memory channel 1 includes slots 1-4 (on board) and 17-21 (expansion board #1)</li> <li>• Memory channel 2 includes slots 5-8 (on board) and 21-24 (expansion board #2)</li> <li>• Memory channel 3 includes slots 9-12 (on board) and 25-28 (expansion board #3)</li> <li>• Memory channel 4 includes slots 13-16 (on board) and 29-32 (expansion board #4)</li> </ul>									

#### HP ProLiant DL580 G5 - For 32 DIMM configurations with the standard shipping 8 GB of memory

##### Standard Memory

8 GB PC2-5300 Fully Buffered DIMMs (DDR2-667) (4 x 2 GB)

All HP ProLiant DL580 G5 systems come standard with 4 banks of memory sockets spanning 4 memory channels for a total of 16 DIMM sockets on board memory. The optional DL580 G5 Memory Expansion Boards Option adds an additional 16 DIMM sockets, which brings the DL580 G5 to a total of 32 DIMM sockets.

##### Upgrading Memory and Memory Interleaving

To achieve maximum memory performance and flexibility, the HP ProLiant DL580 G5 requires memory to be upgraded in groups of four identical FBDIMMs populated across the four memory channels. In simple terms, the two FBDIMM locations at xC and the two xD locations must be populated with four identical part numbered FBDIMMs. Memory population continues by populating locations xE and xF, then xG and xH. FBDIMM architecture does not allow any gaps in this sequence such that if locations xE and xF were populated and xC and xD were not, the memory at xE and xF would not be recognized by the system.

##### Standard Memory Plus Optional Memory

Up to 232 GB memory is available with the standard memory of 8 GB and the optional installation of 1 GB, 2 GB, 4 GB, and/or 8 GB PC2-5300 Fully Buffered DIMMs in all embedded DIMM sockets as well as the memory expansion boards slots. . One possible configuration is shown below, in which 56 GB is added to the standard 8 GB for a total of 64 GB.

##### Standard Memory Replaced with Optional Memory

Up to 256 GB of memory is available with the removal of the standard 8 GB of memory and the optional installation of PC2-5300 Fully Buffered DIMMs in all the embedded slots as well as the memory expansion boards slots.

### Memory

Memory		Embedded Slots							
		1	2	3	4	5	6	7	8
		1A	2C	3E	4G	5A	6C	7E	8G
<b>Standard</b>	<b>8 GB</b>	2 GB	Empty	Empty	Empty	2GB	Empty	Empty	Empty
<b>Standard + Optional</b>	<b>Maximum= 232GB Shown= 64 GB</b>	2 GB	2 GB	2 GB	2 GB	2 GB	2 GB	2 GB	2 GB
<b>Maximum</b>	<b>256 GB</b>	8 GB	8 GB	8 GB	8 GB	8 GB	8 GB	8 GB	8 GB

Memory		Embedded Slots							
		9	10	11	12	13	14	15	16
		9B	10D	11F	12H	13B	14D	15F	16H
<b>Standard</b>	<b>8 GB</b>	2 GB	Empty	Empty	Empty	2 GB	Empty	Empty	Empty
<b>Standard + Optional</b>	<b>Maximum= 232 GB Shown= 64 GB</b>	2 GB	2 GB	2 GB	2 GB	2 GB	2 GB	2 GB	2 GB
<b>Maximum</b>	<b>256 GB</b>	8 GB	8 GB	8 GB	8 GB	8 GB	8 GB	8 GB	8 GB

Expansion Board Memory		Optional DL580 G5 Memory Expansion Boards Option Slots							
		17	18	19	20	21	22	23	24
		1A	2B	3C	4D	1A	2B	3C	4D
<b>Standard</b>	<b>8 GB</b>	Empty	Empty	Empty	Empty	Empty	Empty	Empty	Empty
<b>Standard + Optional</b>	<b>Maximum= 232 GB Shown= 64 GB</b>	2 GB	2 GB	2 GB	2 GB	2 GB	2 GB	2 GB	2 GB
<b>Maximum</b>	<b>256 GB</b>	8 GB	8 GB	8 GB	8 GB	8 GB	8 GB	8 GB	8 GB

Expansion Board Memory		Optional DL580 G5 Memory Expansion Boards Option Slots							
		25	26	27	28	29	30	31	32
		1A	2B	3C	4D	1A	2B	3C	4D
<b>Standard</b>	<b>8 GB</b>	Empty	Empty	Empty	Empty	Empty	Empty	Empty	Empty
<b>Standard + Optional</b>	<b>Maximum= 232 GB Shown= 64 GB</b>	2 GB	2 GB	2 GB	2 GB	2 GB	2 GB	2 GB	2 GB
<b>Maximum</b>	<b>256 GB</b>	8 GB	8 GB	8 GB	8 GB	8 GB	8 GB	8 GB	8 GB

#### NOTE:

- Memory channel 1 includes slots 1-4 (on board) and 17-21 (expansion board #1)
- Memory channel 2 includes slots 5-8 (on board) and 21-24 (expansion board #2)
- Memory channel 3 includes slots 9-12 (on board) and 25-28 (expansion board #3)
- Memory channel 4 includes slots 13-16 (on board) and 29-32 (expansion board #4)

### Memory

The following memory options are available from HP:

#### HP Memory

HP 2GB Fully Buffered DIMM PC2-5300 2x1GB DDR2 Memory Kit	397411-B21
HP 2GB Fully Buffered DIMM PC2-5300 2x1GB Low Power DDR2 Memory Kit	461826-B21
HP 4GB Fully Buffered DIMM PC2-5300 2x2GB DDR2 Memory Kit	397413-B21
HP 4GB Fully Buffered DIMM PC2-5300 2x2GB Low Power DDR2 Memory Kit	461828-B21
HP 8GB Fully Buffered DIMM PC2-5300 2x4GB DDR2 Memory Kit	397415-B21
HP 8GB Fully Buffered DIMM PC2-5300 2x4GB Low Power DDR2 Memory Kit	466440-B21
HP 16GB Fully Buffered DIMM PC2-5300 2x8GB DDR2 Memory Kit	413015-B21
HP 64GB Fully Buffered DIMM PC2-5300 8x8GB DDR2 Memory Kit	495604-B21

#### Memory Board Upgrade Option

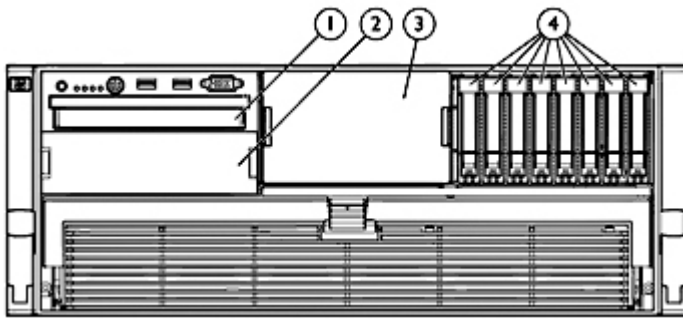
DL580 G5 memory expansion boards option	452179-B21
---	------------

**NOTE:** This option consists of 4 memory expansion boards with 4 DIMM sockets each for a total of 16 additional DIMM sockets. This brings the DL580G5 to a total of 32 DIMM sockets.

**NOTE:** Memory Option Kits include Low Power DIMMs. For more information on ProLiant Energy Efficient Features, please visit:

<http://h18004.www1.hp.com/products/servers/platforms/energyefficient/>.

### Storage



- 1 Slimline media bay
- 2 Half-height bay
- 3 Second SAS drive bay (supports up to 8 additional SFF SAS/SATA drives)
- 4 8 SFF hot-plug SAS/SATA drives

### Drive Support

	Quantity Supported	Position Supported	Controller
<b>Slimline Drives</b>			
HP 8X/24X SlimLine DVD-ROM Drive	1	1	Integrated IDE
HP Slim SATA DVD-ROM Optical Drive	1	1	Integrated SATA
HP Slim SATA DVD RW Optical Drive	1	1	Integrated SATA

#### Hard Drives

**NOTE**—The components of a storage subsystem (e.g. the drive, the HBA/controller, firmware, and the server backplane) should operate at the same data transfer rate or the system bandwidth will be negotiated down to an acceptable level for all components.

**NOTE**—Hard drives have either a one year or three year warranty—refer to the specific hard drive QuickSpecs for details.

#### SAS Hot Plug SFF (2.5-inch) Enterprise (ENT) Drives

	Quantity Supported	Position Supported	Controller
300GB 6G SAS 10K DP	Up to 16	3,4	HP Smart Array E200/128 BBWC Controller
146GB 6G SAS 15K DP			HP Smart Array E500/256 MB Controller
146GB 3G SAS 15K DP			HP Smart Array P400i/256 MB Controller
72GB 6G SAS 15K DP			HP Smart Array P400i/512 MB BBWC Controller
			HP Smart Array P600/256 BBWC Controller
			HP Smart Array P800/512 BBWC Controller
			HP Smart Array P212/Zero Memory Controller
			HP Smart Array P212/ 256 MB Controller
			HP Smart Array P410/256 MB Controller
			HP Smart Array P410/512 MB BBWC Controller
	HP Smart Array P411/256 MB Controller		
	HP Smart Array P411/512 MB BBWC Controller		

#### SAS Hot Plug SFF (2.5-inch) Midline (MDL) Drives

	Quantity Supported	Position Supported	Controller
--	--------------------	--------------------	------------

### Storage

500GB 6G SAS 7.2K DP	Up to 16	3,4	HP Smart Array E200/128 BBWC Controller HP Smart Array E500/256 MB Controller HP Smart Array P400i/256 MB Controller HP Smart Array P400i/512 MB BBWC Controller HP Smart Array P600/256 BBWC Controller HP Smart Array P800/512 BBWC Controller HP Smart Array P212/Zero Memory Controller HP Smart Array P212/ 256 MB Controller HP Smart Array P410/256 MB Controller HP Smart Array P410/512 MB BBWC Controller HP Smart Array P411/256 MB Controller HP Smart Array P411/512 MB BBWC Controller
----------------------	----------	-----	---

### SATA Hot Plug SFF (2.5-inch) Midline (MDL) Drives

	Quantity Supported	Position Supported	Controller
500GB 3G SATA 7.2K	Up to 16	3,4	HP Smart Array E200/128 BBWC Controller HP Smart Array E500/256 MB Controller HP Smart Array P400i/256 MB Controller HP Smart Array P400i/512 MB BBWC Controller HP Smart Array P600/256 BBWC Controller HP Smart Array P800/512 BBWC Controller HP Smart Array P212/Zero Memory Controller HP Smart Array P212/ 256 MB Controller HP Smart Array P410/256 MB Controller HP Smart Array P410/512 MB BBWC Controller HP Smart Array P411/256 MB Controller HP Smart Array P411/512 MB BBWC Controller
160GB 3G SATA 7.2K			

### SATA Hot Plug SFF (2.5-inch) Entry (ETY) Drives

	Quantity Supported	Position Supported	Controller
250GB 3G SATA 5.4K	Up to 16	3,4	HP Smart Array E200/128 BBWC Controller HP Smart Array E500/256 MB Controller HP Smart Array P400i/256 MB Controller HP Smart Array P400i/512 MB BBWC Controller HP Smart Array P600/256 BBWC Controller HP Smart Array P800/512 BBWC Controller HP Smart Array P212/Zero Memory Controller HP Smart Array P212/ 256 MB Controller HP Smart Array P410/256 MB Controller HP Smart Array P410/512 MB BBWC Controller HP Smart Array P411/256 MB Controller HP Smart Array P411/512 MB BBWC Controller
120GB 1.5G SATA 5.4K			

### SATA Hot Plug Midline (MDL) Solid State Drives



### Storage

	Quantity Supported	Position Supported	Controller
60GB 3.0G SATA SSD	Up to 16	3,4	HP Smart Array P212/Zero Memory Controller
120GB 3.0G SATA SSD			HP Smart Array P212/ 256 MB Controller
			HP Smart Array P410/256 MB Controller
			HP Smart Array P410/512 MB BBWC Controller
			HP Smart Array P411/256 MB Controller
			HP Smart Array P411/512 MB BBWC Controller

### External Storage

	Quantity Supported	Position Supported	Host Controller or Adapter		
50 Modular Smart Array	Up to 26	External	HP Smart Array P600/256 BBWC Controller		
			HP Smart Array P800/512 BBWC Controller		
60 Modular Smart Array	Up to 4	External	HP Smart Array P600/256 BBWC Controller		
			Up to 8	External	HP Smart Array E500/256MB Controller
	HP Smart Array P212/Zero Memory Controller				
	HP Smart Array P212/ 256 MB Controller				
	70 Modular Smart Array	Up to 2	External	HP Smart Array P411/256 MB Controller	
Up to 4				External	HP Smart Array P411/512 MB BBWC Controller
					HP Smart Array P600/256 BBWC Controller
			HP Smart Array E500/256MB Controller		
			HP Smart Array P800/512 BBWC Controller		
			HP Smart Array P212/Zero Memory Controller		
			HP Smart Array P212/ 256 MB Controller		
			HP Smart Array P411/256 MB Controller		
			HP Smart Array P411/512 MB BBWC Controller		

### Maximum Storage Capacity - (External SAS Enclosure Attached)

Internal	8.0TB (16 x 500GB SFF SAS Drives)
External	960TB (80 MSA60 enclosures x 12 drive bays each x 1TB SATA Drives)

### Tape and Disk Backup

**NOTE**—For the complete range of StorageWorks tape drives, autoloaders, libraries and media, including the internal fitting models, see <http://www.hp.com/go/tape>. For the complete range of StorageWorks D2D Backup Systems see <http://www.hp.com/go/d2d>. For the complete range of StorageWorks RDX drives and media see <http://www.hp.com/go/rdx>. For hardware and software compatibility of HP StorageWorks disk and tape backup products see <http://www.hp.com/go/connect>.

	Position Supported	Controller	Controller Part Number
<b>HP StorageWorks SCSI Tape Drives</b>	Internal or External	HP SC11Xe Ultra320 Single Channel/ PCIe x4 SCSI Host Bus Adapter	412911-B21
LTO-1 Ultrium 232			
LTO-2 Ultrium 448			
LTO-3 Ultrium 920			

### Storage

LTO-3 Ultrium 960  
 LTO4 Ultrium 1760  
 LTO-4 Ultrium 1840  
 DAT 40  
 DAT 72  
 DAT 160

**NOTE**—Please check the full compatibility information at <http://www.hp.com/go/connect>

**HP StorageWorks SCSI Rack Mount Kits**  
 1U Rack-Mount Kit  
 3U Rack-Mount Kit

External HP SC11Xe Ultra320 Single Channel/ PCIe x4 SCSI Host Bus Adapter 412911-B21

**HP StorageWorks USB Tape Drives**

Internal or External USB 2.0 Port N/A

DAT 40  
 DAT 72  
 DAT 160  
 DAT 320

**HP StorageWorks USB Rack Mount Kits**

External USB 2.0 Port N/A

1U USB Rack-Mount Kit

**HP StorageWorks SAS Tape Drives**

Internal or External HP Modular Smart Array SC44Ge 1-ports Int/1-ports Ext PCIe x8 SAS Host Bus Adapter 416096-B21

DAT 160  
 DAT 320  
 LTO-2 Ultrium 448  
 LTO-3 Ultrium 920  
 LTO-4 Ultrium 1760  
 LTO-4 Ultrium 1840  
 LTO-5 Ultrium 3000  
 LTO-5 Ultrium 3280

**NOTE**—Please check the full compatibility information at <http://www.hp.com/go/connect>

**HP StorageWorks SAS Rack Mount Kits**

External HP Modular Smart Array SC44Ge 1-ports Int/1-ports Ext PCIe x8 SAS Host Bus Adapter 416096-B21

1U Rack-Mount Kit  
 3U Rack-Mount Kit

**NOTE**—Please check the full compatibility information at <http://www.hp.com/go/connect>

**HP StorageWorks SCSI Tape Autoloaders**

External HP SC11Xe Ultra320 Single Channel/ PCIe x4 SCSI Host Bus Adapter 412911-B21

DAT 72x10 Autoloader  
 1/8 G2 Autoloader

**NOTE**—Please check the full compatibility information at <http://www.hp.com/go/connect>

**HP StorageWorks SCSI Tape Libraries**

External HP U320e SCSI Dual Channel Controller AH627A

.....



### Storage

MSL2024  
MSL4048  
MSL8096  
MSL6000

**NOTE**—Please check the full compatibility information at <http://www.hp.com/go/connect>

#### HP StorageWorks SAS Tape Autoloaders and Libraries

External

HP Modular Smart Array SC44Ge 1-ports Int/1-ports Ext PCIe x8 SAS Host Bus Adapter

416096-B21

1/8 G2 Autoloader  
MSL2024  
MSL4048  
MSL8096

**NOTE**—Please check the full compatibility information at <http://www.hp.com/go/connect>

#### HP StorageWorks Fibre Channel Tape Libraries

External

Please consult the EBS connectivity matrix at <http://www.hp.com/go/ebs> for connectivity information and the supported Fibre Channel HBAs shown in this QuickSpecs.

N/A

MSL2024  
MSL4048  
MSL8096  
MSL6000

#### HP StorageWorks USB RDX Removable Disk Backup System

Internal or External

USB 2.0 Port

N/A

RDX160  
RDX320  
RDX500  
RDX750  
RDX1TB

#### HP StorageWorks D2D Backup Systems, iSCSI

External

Embedded Network Controller. If the server requires a hardware iSCSI initiator, the QLogic QLA4050 Host Bus Adapter is recommended.

N/A

D2D2500i  
D2D4000i

#### HP StorageWorks D2D Backup Systems, Fibre Channel

External

Direct server attach is not supported, requires connection via SAN fabric. See <http://www.hp.com/go/connect>

N/A

D2D4000fc



### Power Specifications

<b>HP 1200W 12V Hot Plug AC Power Supply</b>							
Part Number	437572-B21						
Input Voltage Range ( V rms )	100 to 240						
Frequency Range (Nominal) ( Hz )	50/60						
Nominal Input Voltage ( Vrms )	<b>100</b>	<b>120</b>	<b>200</b>	<b>208</b>	<b>220</b>	<b>230</b>	<b>240</b>
Maximum Rated Output Wattage Rating	800	900	1200	1200	1200	1200	1200
Nominal Input Current ( A rms )	9.7	9.0	7.0	6.8	6.4	6.1	5.9
Maximum Rated Input Wattage Rating ( Watts )	930	1034	1348	1348	1348	1348	1348
Maximum Rated VA ( Volt-Amp )	970	1079	1406	1406	1406	1406	1406
Efficiency ( % )	86	87	89	89	89	89	89
Power Factor	0.97						
Leakage Current ( mA )	0.42	0.50	0.83	0.87	0.92	0.96	1.00
Maximum Inrush Current ( A peak )	30						
Maximum Inrush Current duration ( mS )	20						
Maximum British Thermal Unit Rating ( BTU-Hr )	3174	3530	4600	4600	4600	4600	4600

<b>HP 1200W -48V DC Common Slot Power Supply</b>			
Part Number	437573-B21		
Input Voltage Range ( V rms )	36-72		
Frequency Range (Nominal) ( Hz )	DC		
Nominal Input Voltage ( Vrms )	<b>36</b>	<b>48</b>	<b>72</b>
Maximum Rated Output Wattage Rating	1200	1200	1200
Nominal Input Current ( A rms )	38	28	19
Maximum Rated Input Wattage Rating ( Watts )	1380	1350	1365
Maximum Rated VA ( Volt-Amp )	1380	1350	1365
Efficiency ( % )	87	89	88
Power Factor	N/A		
Leakage Current ( mA )	N/A		
Maximum Inrush Current ( A peak )	20	25	35
Maximum Inrush Current duration ( mS )	1	1	3
Maximum British Thermal Unit Rating ( BTU-Hr )	4713	4610	4662

### Power Specifications

**NOTE** To review typical system power ratings use the HP Power Advisor which is available online located at url [www.hp.com/go/proliant-energy-efficient](http://www.hp.com/go/proliant-energy-efficient) or [www.hp.com/go/hppoweradvisor](http://www.hp.com/go/hppoweradvisor)

To drill down to calculators

- Click on [ProLiant Servers](#)
- Click on the Server of interest. Example [DL580 G5](#)
- Click on [Power Calculator](#) link. (You may need to scroll down to see it)
- There are certain Dual-Core, lowline, max configurations that are not supported. All highline configurations are supported. Consult the Power Calculator to determine if your lowline configuration is supported.

**NOTE** If customers require a local power cord, they can check the power cord matrix for the appropriate county specific sku. Please see the following power cord matrix for details <http://www.hp.com/go/powercordmatrix>

Table 1 outlines the default DL580 G5 system power redundancy behavior.

Default - Power Supply Override Disabled (2+2 Redundancy)						
Number of Power Supplies	Hi-Line (208VAC and higher)		Low-Line (115VAC and lower)			
	1 to 4 Processors		1 to 2 Processors		3 to 4 Processors	
	Supported at POST	Redundant	Supported at POST	Redundant	Supported at POST	Redundant
1	No	No	No	No	No	No
2	Yes	No	Yes	No	Halt/F9 <sup>1</sup>	No
3	Yes	DC output <sup>2</sup>	Yes	DC output <sup>2</sup>	Yes	DC output <sup>2</sup>
4	Yes	Yes	Yes	Yes	Yes	See note <sup>3</sup>

**Table 1**

#### NOTES

- The server will halt with a 'power not sufficient' message when it has three or more processors and only two power supplies. This is a caution to customers who wish to run in this configuration that it is possible to exceed the power output of two supplies when the system is heavily loaded and connected to low-line AC. See note 3 below.
- DC output - in this configuration if one supply fails the DC output power of the two remaining supplies will be sufficient to keep the server running. If one of the AC input feeds fail (in a two AC power feed per rack environment) this configuration can not guarantee redundancy if the feed supplying two of the three power supplies fails.
- In a fully optioned server with four power supplies and four 130 Watt processors it is possible to exceed the rated output power of two supplies when powered by low-line AC (110 VAC). In this scenario the system is non-redundant. If one of the two AC power feeds fail and brings down two power supplies the remaining two supplies may not supply enough power to keep the system running. Customers who are running low line with configurations approaching fully optioned servers should check the power redundancy using the Active Answers Power Calculator.

### Power Specifications

Table 2 outlines the power redundancy behavior of the DL580 G5 when this option is set in RBSU. Customers interested in this option need to first consult the Active Answers Power Calculator to confirm their power is redundant with their system configuration.

#### Power Supply Override Enabled<sup>1</sup> (1+ Redundancy)

Customers must consult the power calculator with their system configuration to verify if the server configuration is redundant before enabling this option.

Number of Power Supplies	Hi-Line (208VAC and higher)		Low-Line (115VAC and lower)			
	1 to 4 Processors		1 to 2 Processors		3 to 4 Processors	
	Supported at POST	Redundant	Supported at POST	Redundant	Supported at POST	Redundant
1	Yes <sup>2</sup>	No	Yes <sup>2</sup>	No	Yes <sup>2</sup>	No
2	Yes	Consult Power Calculator	Yes	Consult Power Calculator	Yes	Consult Power Calculator
3	Yes		Yes		Yes	
4	Yes		Yes		Yes	

**Table 2**

#### NOTES:

- When this selection has been set in RBSU, a **Power Supply Requirements Override has been enabled** message will be displayed during POST.
- In a one supply configuration, the external health LED will flash to warn that system is not redundant.

### Technical Specifications

<b>System Unit Rack</b>	<b>Dimensions</b> (H x W x D) (with bezel)	6.94 x 19.0 x 26.5 in (17.6 x 48.3 x 67.3 cm)		
	<b>Weight</b> (approximate)	Maximum	100.0 lb (45.4 kg)	
		(all hard drives, power supplies, and processors installed)		
		Minimum	71.0 lb (32.2 kg)	
		(one hard drive, power supply, and processor installed)		
	<b>Input Requirements</b> (per power supply)	Rated Line Voltage	90 - 132 VAC, 180 - 264 VAC	
		Rated Input Current	10 A (at 100 VAC), 7.8 A (at 200 VAC)	
		Rated Input Frequency	47 to 63 Hz	
		Rated Input Power	964 W (at 100 VAC), 1412 W (at 240 VAC)	
	<b>BTU Rating</b>	Maximum	3355 BTU/hr (at 100 VAC), 4914 BTU/hr (at 200 VAC)	
<b>Power Specifications</b>	<p><b>NOTE</b>- To review typical system power ratings use the <a href="http://www.hp.com/go/proliant-energy-efficient">HP Power Advisor</a> which is available online located at <a href="http://www.hp.com/go/proliant-energy-efficient">url=www.hp.com/go/proliant-energy-efficient</a> or <a href="http://www.hp.com/go/hppoweradvisor">www.hp.com/go/hppoweradvisor</a></p> <ul style="list-style-type: none"> <li>- Click on the system of interest. Example=DL580 G5</li> <li>- Follow the instructions of the next screens.</li> </ul>			
<b>Power Supply Output</b> (per power supply)	Rated Steady-State Power	800 W (at 100 VAC), 1200 W (at 200 VAC)		
	Maximum Peak Power	800 W (at 100 VAC), 1200 W (at 200 VAC)		
<b>System Inlet Temperature</b>	Operating	10° to 35°C (50° to 95°F) at sea level with an altitude derating of 1.0°C per every 305 m (1.8°F per every 1000 ft) above sea level to a maximum of 3050 m (10,000 ft), no direct sustained sunlight. Maximum rate of change is 10°C/hr (18°F/hr). The upper limit may be limited by the type and number of options installed. System performance may be reduced if operating with a fan fault or above 30°C (86°F).		
	Non-operating	-30° to 60°C (-22° to 140°F). Maximum rate of change is 20°C/hr (36°F/hr).		
<b>Relative Humidity</b> (non-condensing)	Operating	10 to 90% relative humidity (Rh), 28°C (82.4°F) maximum wet bulb temperature, non-condensing.		

### Technical Specifications

	Non-operating	5 to 95% relative humidity (Rh), 38.7°C (101.7°F) maximum wet bulb temperature, non-condensing.
<b>Altitude</b>	Operating	3050 m (10,000 ft). This value may be limited by the type and number of options installed. Maximum allowable altitude change rate is 457 m/min (1500 ft/min).
	Non-operating	9144 m (30,000 ft). Maximum allowable altitude change rate is 457 m/min (1500 ft/min).
<b>Acoustic Noise</b>		Listed are the declared A-Weighted sound power levels (LWAd) and declared average bystander position A-Weighted sound pressure levels (LpAm) when the product is operating in a 23°C ambient environment. Noise emissions were measured in accordance with ISO 7779 (ECMA 74) and declared in accordance with ISO 9296 (ECMA 109).
		Idle
	L WAd	6.9 B
	L pAm	52 dBA
	Operating	
	L WAd	6.9 B
	L pAm	52 dBA
<b>Emissions Classification (EMC)</b>	<b>FCC Rating</b>	Class A
	<b>Normative Standards</b>	CISPR 22†EN55022†EN55024†FCC CFR 47, Pt 15†ICES-003†CNS13438†GB9254†K22†K24†EN 61000-3-2†EN 61000-3-3†EN 60950-1†IEC 60950-1

**NOTE**—Product conformance to cited product specifications is based on sample (type) testing, evaluation, or assessment. This product or family of products is eligible to bear the appropriate compliance logos and statements.

<b>Slimline CD-RW/DVD-ROM 24X Combo Drive (Multibay)</b>	<b>Shipping Dimensions</b>	13.88 x 11.38 x 9.25 in (35.26 x 28.91 x 23.50 cm)
	<b>Shipping Weight</b>	5 lb (2.27 kg)
	<b>Disk</b>	<b>Applicable Disk</b>
		DVD-ROM
		DVD-R (Read Only)
		2.6 GB/side DVD-RAM (Read Only)
		5.2 GB/side DVD-RAM (Read Only)
		CD-ROM Mode-1 data disc
		CD-ROM Mode-2 data disc
		CD Audio disc
		CD-Extra
		CD-RW
		CD-R
		CD Text

### Technical Specifications

		PhotoCD	
		CD-I (mode 2)	
		CD-I Ready	
		CD-Bridge	
	<b>Capacity</b>	DVD-ROM	DVD-SL 4.7 GB/side
			DVD-DL 8.5 GB/side
			Double Sided 9.40 GB/side
		DVD-R	3.95 GB/side
		DVD-RAM	2.6 GB/side and 5.2 GB/
		CD-ROM	Mode-1 650 MB (550 MB)
			Mode-2 742 MB (640 MB)
	<b>Block Size</b>	DVD	2,048 bytes
		CD	2,352 (Mode-0) 2352, 2340, 2336, 2048 bytes (Mode-1) 2352, 2340, 2336, 2048 bytes (Mode-2)
	<b>Diameter</b>	120 mm (4.7 in), 80 mm (3.1 in)(with adapter at vertical mounting mode)	
<b>Loading Mechanism</b>	Tray type		
<b>Interface</b>	EIDE (ATAPI)		
<b>Access Times</b> (typical)	Random	DVD-ROM < 120 ms, CD-ROM < 110 ms	
	Full-Stroke	DVD-ROM < 240 ms, CD-ROM < 160 ms	
<b>Audio Output Level</b> (typical)	Line-out	CD 0.7 Vrms at 47 Kohms Load	
<b>Data Transfer Rate</b> (sustained)	DVD-ROM	Single Layer	10.8 MB/sec. Max.
	DVD-RAM	2.77 MB/sec. Max	
	CD-ROM	7.2 MB/sec. Max.	
<b>Cache Buffer</b>	2 MB		
<b>Spin-up Time</b> (typical)	less than 10 seconds		
<b>MTBF</b>	120,000 Power On Hours (POH)		
<b>Ambient Temperature</b>	Operating	-22° to 140° F (-30° to 60° C)	
<b>Relative Humidity</b>	Operating	10% to 80%	
	Storage/Transportation	5% to 95%	

### Technical Specifications

<b>Dimensions</b>	(HxWxD, maximum)	0.5 x 5.04 x 5.1 in (12.7 x 128 x 129.4 mm)
<b>Option Kit Contents</b>	DVD-ROM drive with installation guide, warranty card, registration card	

#### Integrated Lights-Out 2 Standard (integrated on system board)

<b>Architecture</b>	32-bit PCI-based health and remote management ASIC (Application Specific Integrated Circuit)	
<b>Processor</b>	32-bit RISC processor core running at 66 MHz	
<b>Upgradability</b>	Option firmware upgradable via flash ROM.	
<b>Video Support</b>	Utilizes the host server's embedded video chip. Supports VGA/SVGA, 640 x 480 (256 to 16.7M colors), 800 x 600 (256 to 16.7M colors), 1024 x 768 (256 to 65K colors), 1280 x 1024 (256 colors)	
<b>Interfaces</b>	One Ethernet network connection (10/100 Mb/s)	
<b>Memory</b>	2-MB Flash ROM 8-MB SDRAM	
<b>Operating System Support</b>	Microsoft Windows Server 2008 Standard Edition (32bit and 64bit) Microsoft Windows Server 2008 Enterprise Edition (32bit and 64bit) Microsoft Windows Server 2003 and Windows Server 2003 R2, and Windows Server 2003 for Extended Systems Standard Edition, Enterprise Edition Red Hat Enterprise Linux 5.4 (32bit and 64bit) SUSE LINUX Enterprise Server 11 (32bit and 64bit) SUSE LINUX Enterprise Server 10 (32bit and 64bit) VMware ESX 4.0 VMware ESX 3.5.0	
<b>Client Browser Support</b>	Microsoft Internet Explorer 7 Microsoft Internet Explorer 6 Firefox 3.5 (on supported Windows and Linux systems) Firefox 3.0 (on supported Windows and Linux systems)	
<b>iLO 2 Standard Features</b>	Virtual Text Remote Console Virtual KVM Virtual Power Button Control Virtual UID Control Dedicated LAN Connectivity Secure access using web browser Secure access using Secure Shell (SSH) client Serial connectivity Automatic IP Configuration via DHCP/DNS/WINS Industry Standard 128-bit Secure Sockets Layer (SSL) Security IML and iLO2 Event Logging Support for up to 12 user accounts with customizable access privileges	
<b>iLO 2 Advanced Features (optional)</b>	Virtual Graphical Remote Console Virtual Floppy/USB Key drive Virtual CD-ROM drive	

### Technical Specifications

Directory Services Integration

Processor States Reporting

Terminal Services Integration

**NOTE** For more information on how to purchase the HP iLO Advanced optional licensed features, visit the iLO QuickSpecs located at [www.hp.com/go/iLO](http://www.hp.com/go/iLO)

#### Smart Array P400i Controller

#### Disk Drive and Enclosure Interface

3G SAS (Serial Attached SCSI)  
1.5G SATA (Serial Advanced Technology Attachment)

#### SAS Connectors

2 internal (SFF8484) x4 wide port connectors

#### Cache Memory Speed

DDR2-533MHz with 40 or 72-bit wide bus provides up to 4.2 GB/s maximum bandwidth.

#### Server Interface

x8 2.5G PCIe provides 2GB/s maximum bandwidth.

#### SAS Speed

x8 3G SAS provides 2.4GB/s maximum bandwidth.

#### Cache Memory

40-bit 256MB cache (72-bit 512MB module upgrades available) with ECC protection, battery-backed, and transportable

#### Logical Drives Supported

Up to 32 logical drives

#### Maximum Logical Drive Capacity

2TB

#### Host Memory Addressing

64-bit, supporting greater than 4GB server memory space

#### RAID Support

RAID 6 with ADG (Advanced Data Guarding) requires Battery Backed Write Cache Upgrade  
RAID 5 (Distributed Data Guarding)  
RAID 1, 1+0 (Striping & Mirroring)  
RAID 0 (Striping)

#### Two embedded NC373i Multifunction Gigabit Server Adapters

#### Network Interface

10Base-T/100Base-TX/1000Base-TX

#### Compatibility

IEEE 802.3 10Base-T  
IEEE 802.3ab 1000Base-T  
IEEE 802.3u 100Base-TX

#### Data Transfer Method

PCI-Express x4

#### Controller

BCM5708C

#### Network Transfer Rate

10Base-T (Half-Duplex)	10 Mb/s
10Base-T (Full-Duplex)	20 Mb/s
100Base-TX (Half-Duplex)	100 Mb/s
100Base-TX (Full-Duplex)	200 Mb/s
1000Base-TX (Half and Full-Duplex)	2000 Mb/s

#### Connector

RJ-45

#### Cable Support

10Base-T	Categories 3, 4, or 5 UTP up to 328 ft (100 m)
100Base-TX	Category 5 or higher UTP up to 328 ft (100 m)
1000Base-TX	Category 5 or higher UTP up to 328 ft (100 m)



### Technical Specifications

---

**Environment-friendly  
Products and Approach****End-of-life Management  
and Recycling**

Hewlett-Packard offers end-of-life HP product return, trade-in, and recycling programs in many geographic areas. For trade-in information, please go to <http://www.hp.com/go/green>. To recycle your product, please go to <http://www.hp.com/go/green> or contact your nearest HP sales office. Products returned to HP will be recycled, recovered or disposed of in a responsible manner.

The EU WEEE directive (2002/95/EC) requires manufacturers to provide treatment information for each product type for use by treatment facilities. This information (product disassembly instructions) is posted on the Hewlett Packard web site at <http://www.hp.com/go/green>. These instructions may be used by recyclers and other WEEE treatment facilities as well as HP OEM customers who integrate and re-sell HP equipment.

---

© Copyright 2010 Hewlett-Packard Development Company, L.P.

The information contained herein is subject to change without notice.

Microsoft and Windows NT are US registered trademarks of Microsoft Corporation. Unix is a registered trademark of The Open Group.

Intel, the Intel logo, Xeon and Xeon Inside are trademarks of Intel Corporation in the U.S. and other countries.

The only warranties for HP products and services are set forth in the express warranty statements accompanying such products and services. Nothing herein should be construed as constituting an additional warranty. HP shall not be liable for technical or editorial errors or omissions contained herein.

For hard drives, 1GB = 1 billion bytes. Actual formatted capacity is less.