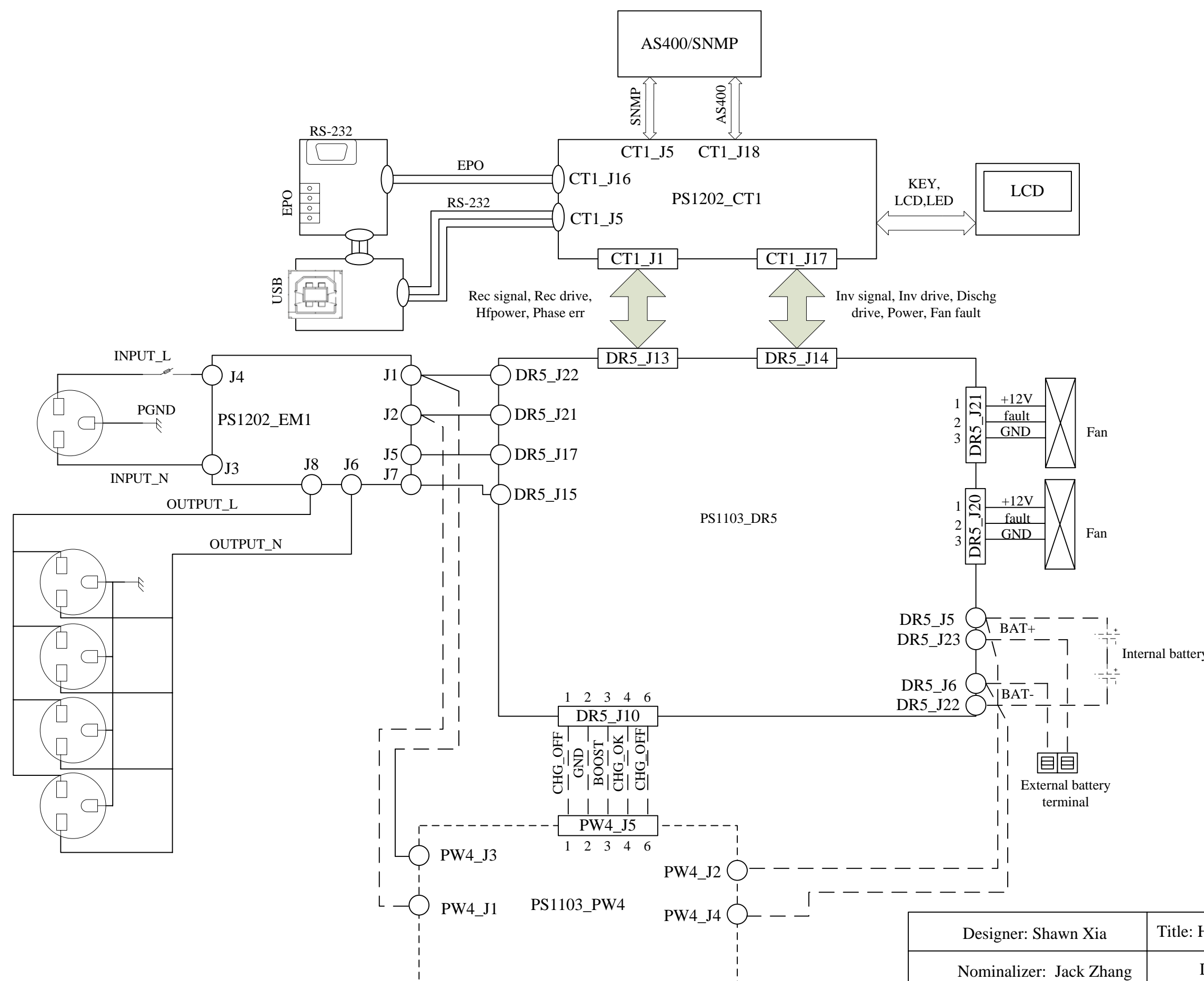
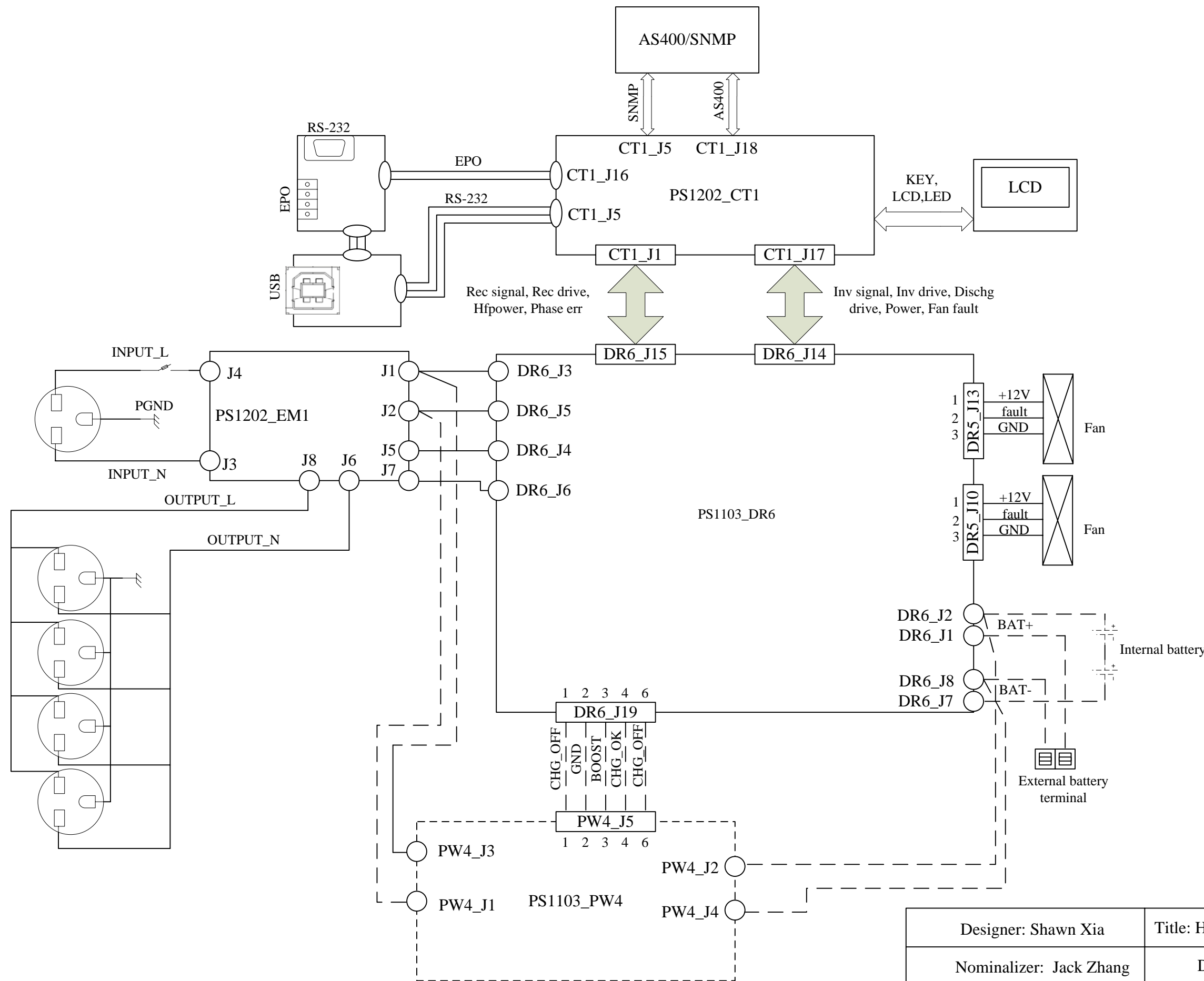


|                         |                            |                  |
|-------------------------|----------------------------|------------------|
| Designer: Shawn Xia     | Title: HT11 Wiring Diagram | NO.: 1/3         |
| Nominalizer: Jack Zhang | Dept.: R&D                 | Version: V1.1    |
| Approver: Jason Liu     | INVT Power CO.,LTD.        | Date: 2013-11-20 |



|                         |                            |                  |
|-------------------------|----------------------------|------------------|
| Designer: Shawn Xia     | Title: HT11 Wiring Diagram | NO.: 2/3         |
| Nominalizer: Jack Zhang | Dept.: R&D                 | Version: V1.1    |
| Approver: Jason Liu     | INVT Power CO.,LTD.        | Date: 2013-11-20 |



|                         |                            |                  |
|-------------------------|----------------------------|------------------|
| Designer: Shawn Xia     | Title: HT11 Wiring Diagram | NO.: 3/3         |
| Nominalizer: Jack Zhang | Dept.: R&D                 | Version: V1.1    |
| Approver: Jason Liu     | INVT Power CO.,LTD.        | Date: 2013-11-20 |