

Cold Start Option Installation Manual for HT33060-120X V1.0

Option lists:

- ◆ Cold start board 1pcs
- ◆ button 1pcs
- ◆ Cables 4pcs

1. Remove the cabinet cover (Left, right and back), and install the battery cold start board, as is shown in figure 1.

Note:

If there have 3 or 4 modules, signal board should be A B C D.

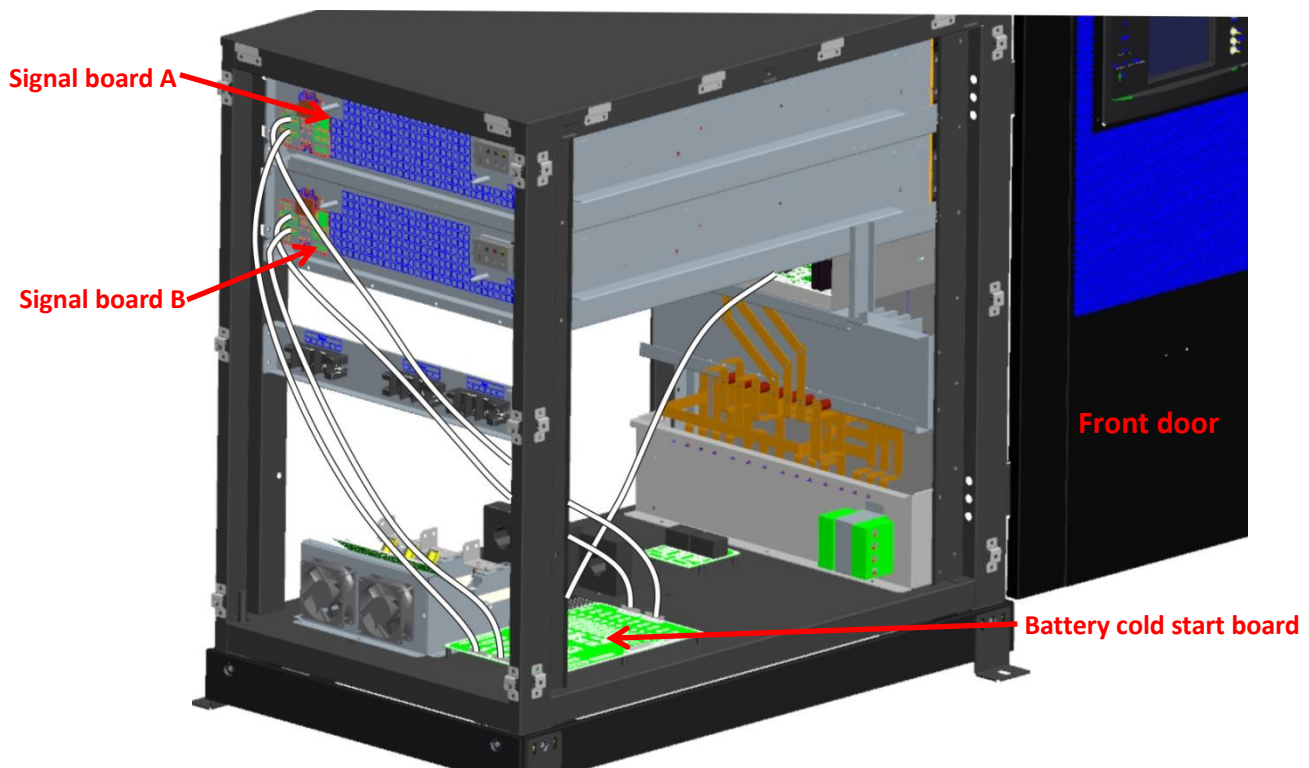


Figure 1 Cable connection

2. Install the button, as is shown in figure 2 and 3.

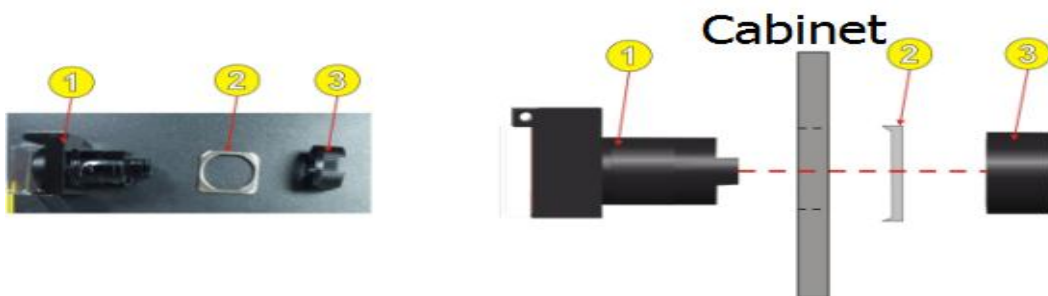


Figure 2 button



Figure 3 button installation place

3. Connect the button cables, DR9-J1 to button, as is shown in figure 4 and 5.
Note: After press button, the 3A and 4A(3B and 4B) should be shorted circuit.

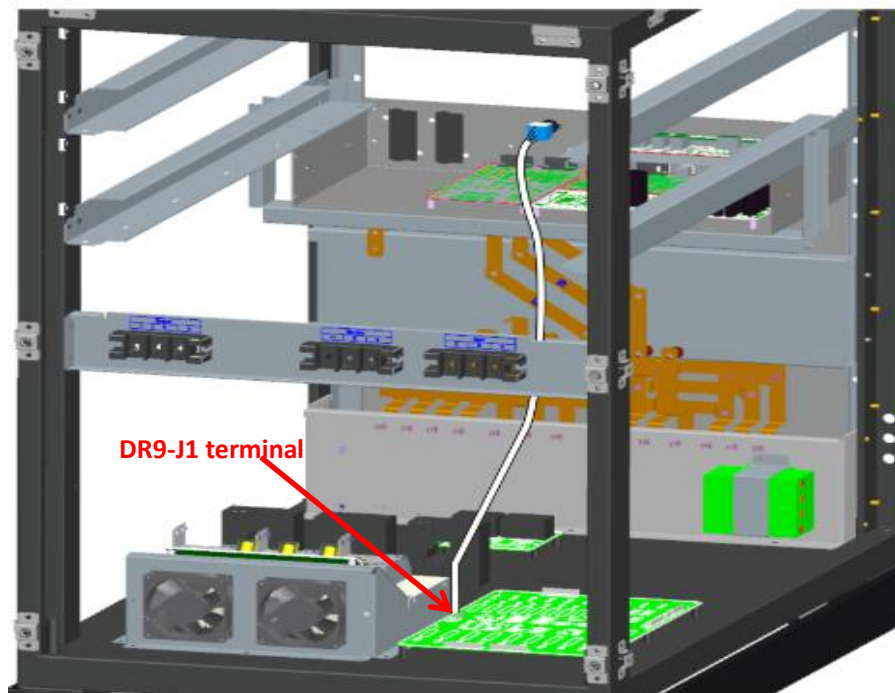


Figure 4 button cables

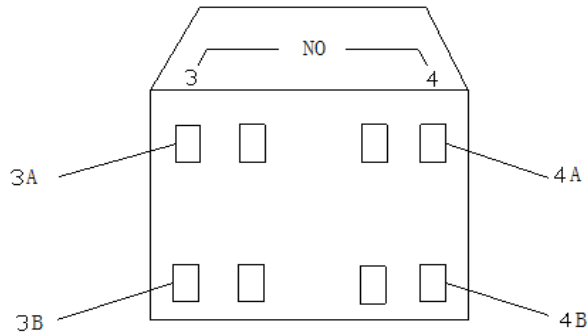
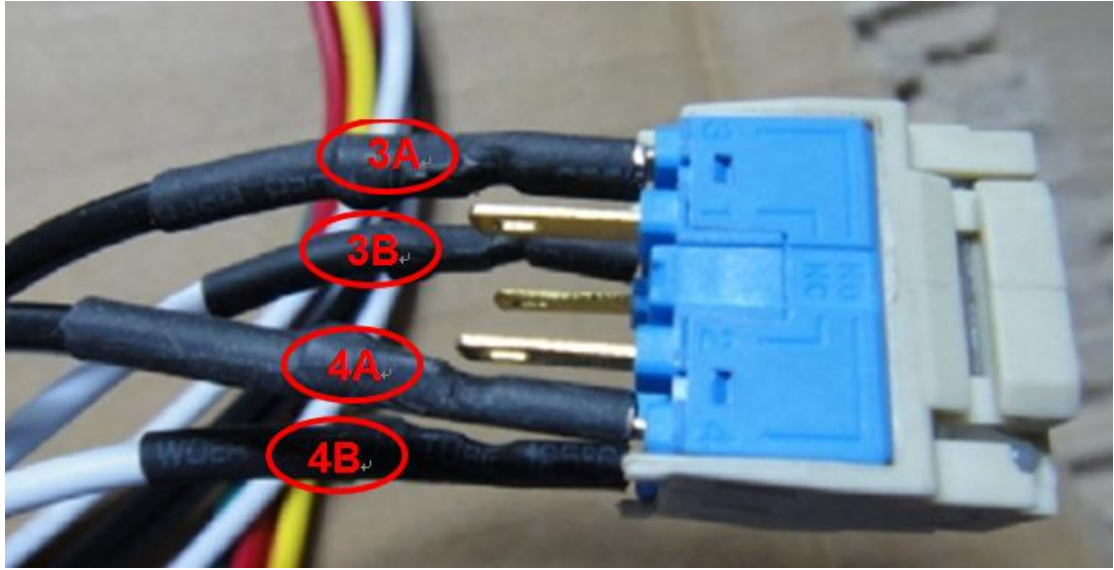


Figure 5 button cables

- Connect the BUS- and BUS+ cables, as is shown in figure 6 and 7.
 DR9_J6 (BUS+) to TF1_A_J10 and TF1_B_J10 (BUS+)
 DR9_J8 (BUS-) to TF1_A_J9 and TF1_B_J9 (BUS-)

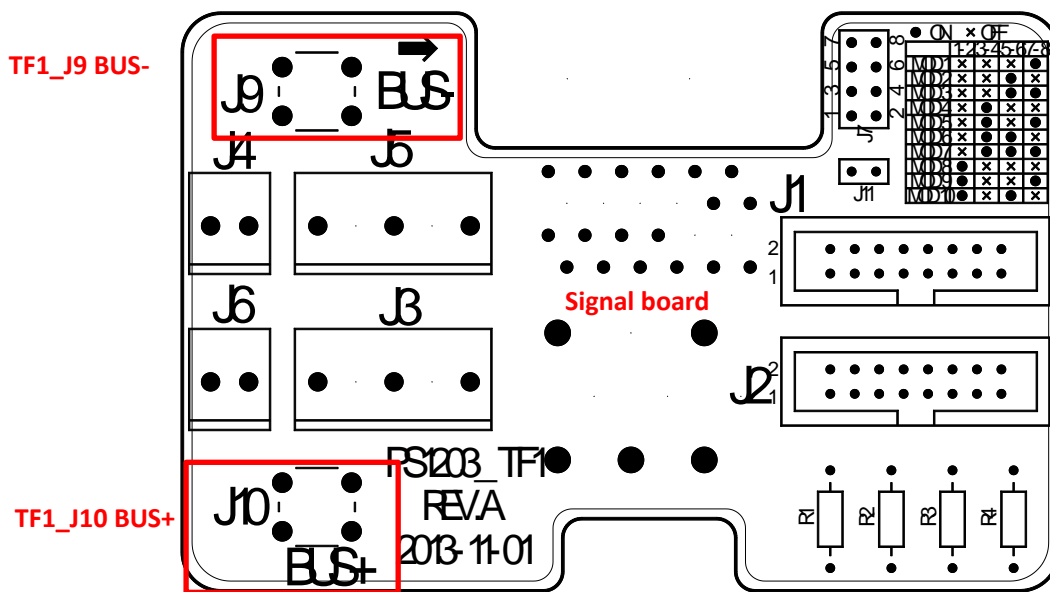


Figure 6 signal board

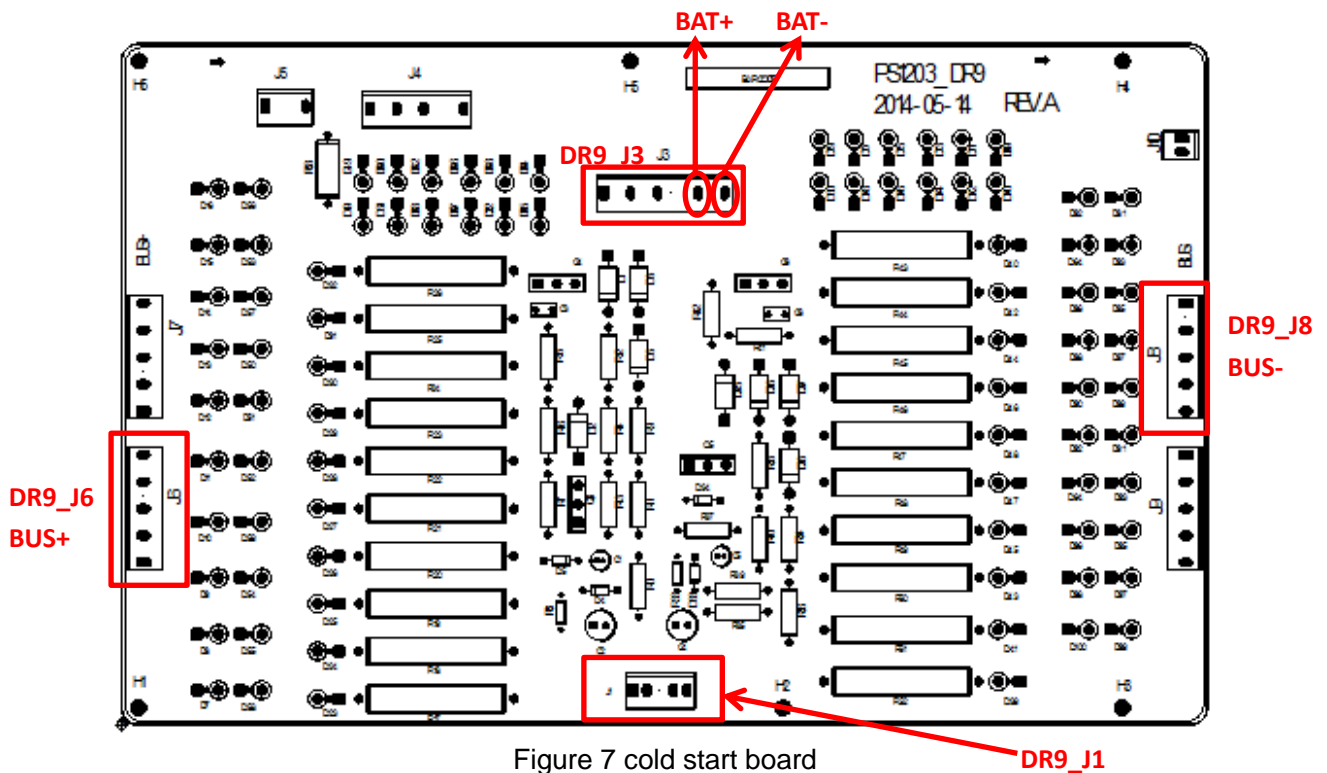


Figure 7 cold start board

5. Connect the battery cable, as is shown in figure 7 and 8.
DR9_J3 to terminal BAT+ and terminal BAT-

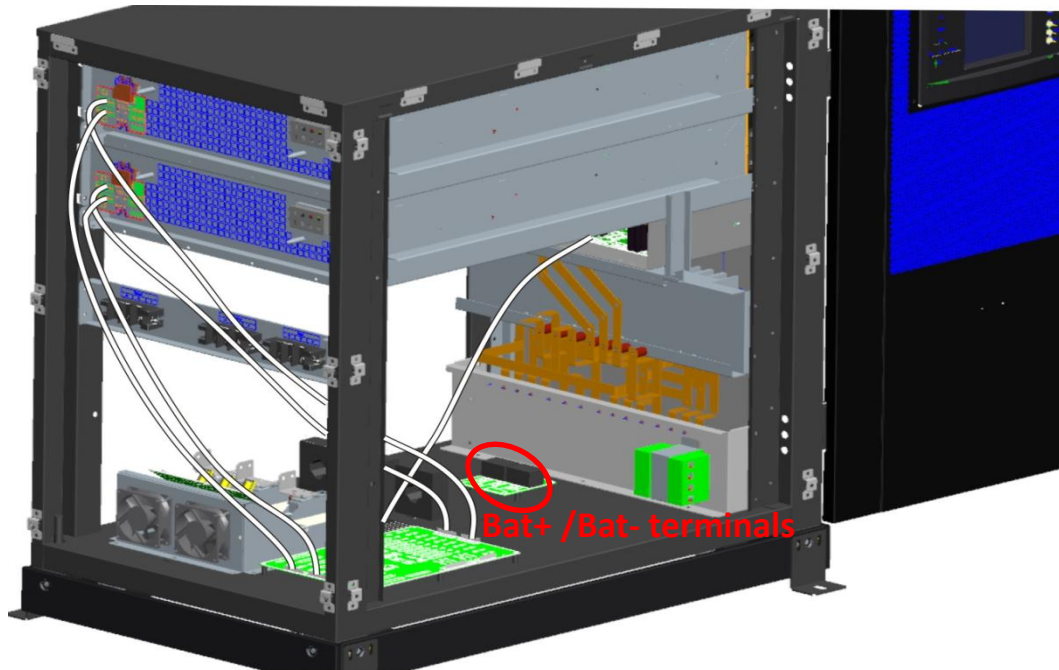


Figure 8 Battery connection

6. After check all cables and install back the unit cover.
7. Close the battery switch, and check the battery voltage, if it is normal, then press the battery cold start button for 3 seconds, UPS LCD will be lighted.
8. If UPS do not start automatically, please press the button again for 3 seconds.
9. For HT33090X and HT33120X, it is similar, only parallel connect another power modules