

Cold Start Option Installation Manual for HTX33010 V1.0

Option lists:

- ◆ Cold start board 1pcs(17001-00087)
- ◆ button 1pcs
- ◆ Cables 2pcs(W301 W302)

1. Remove the cabinet cover, and install the battery cold start board, please pay attention to the installation direction, as is shown in figure 1.

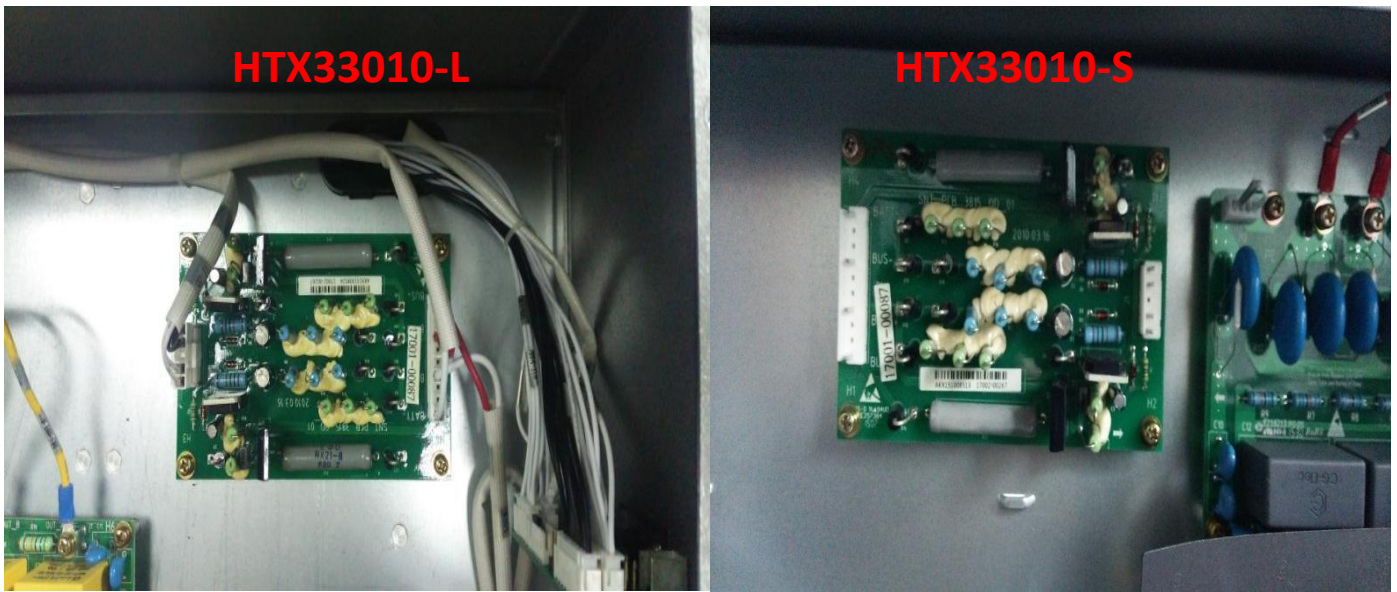


Figure 1 Board installation

2. Install the button, as is shown in figure 2.

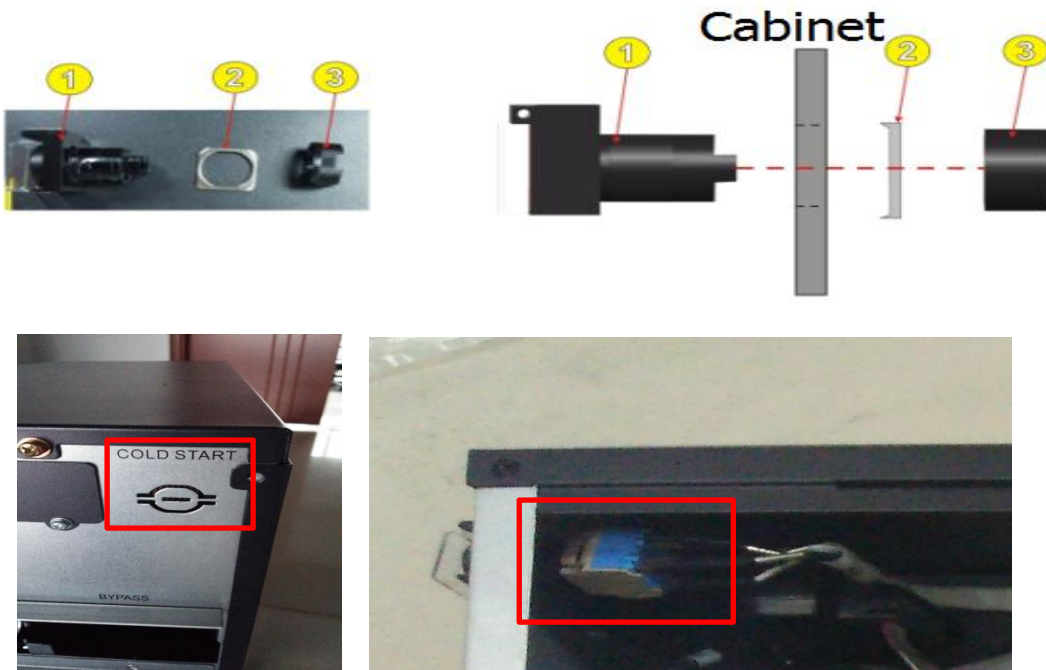


Figure 2 button

3. Connect the button cables, W302 J1 to button, as is shown in figure 3 and 4.
Note: After press button, the 3A and 4A(3B and 4B) should be shorted circuit.
3A 4A are black cables, 3B 4B are white cables

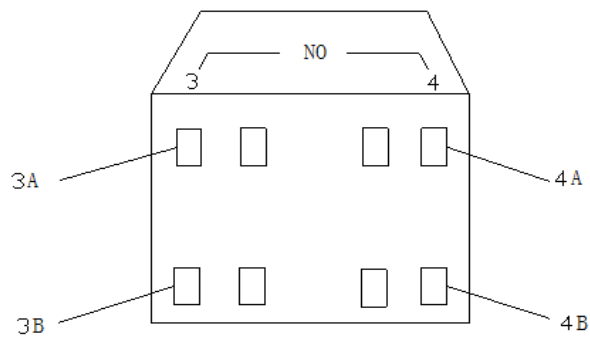
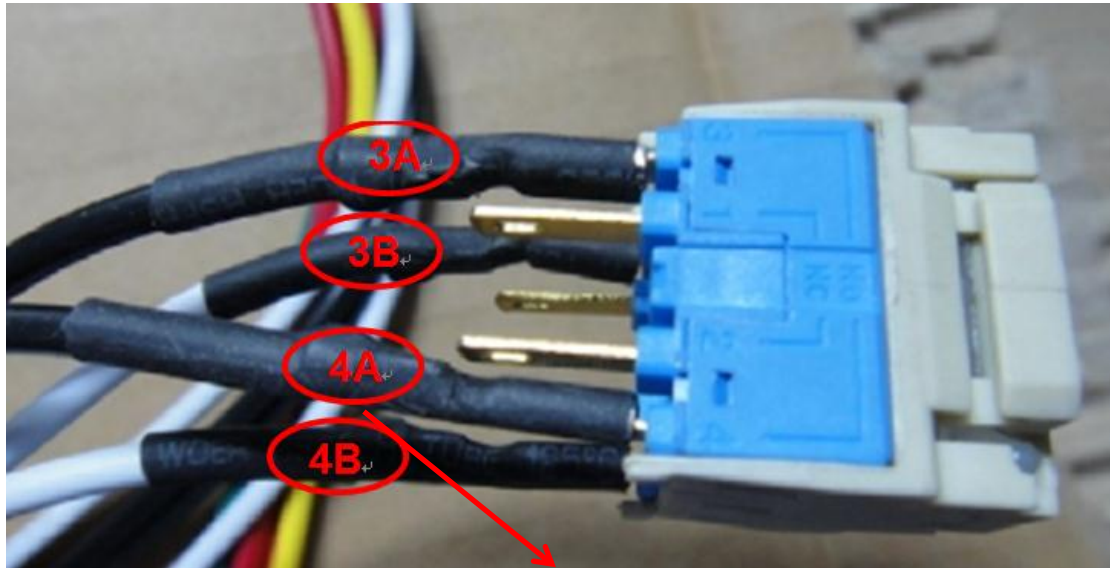


Figure 3 button cables

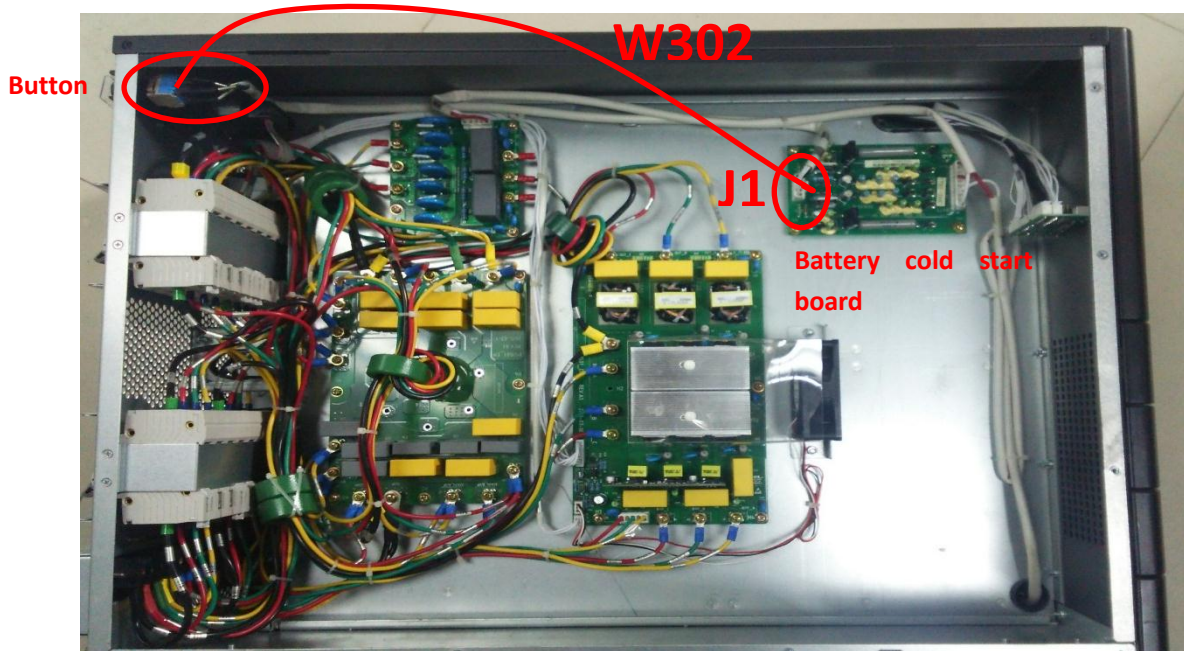


Figure 4 W302 cable

4. Connect W301 cable, as is shown in figure 5.
Note: EM1 and DR3 are the PCB silkscreen label.
DR3-J11 terminal is on the other side.

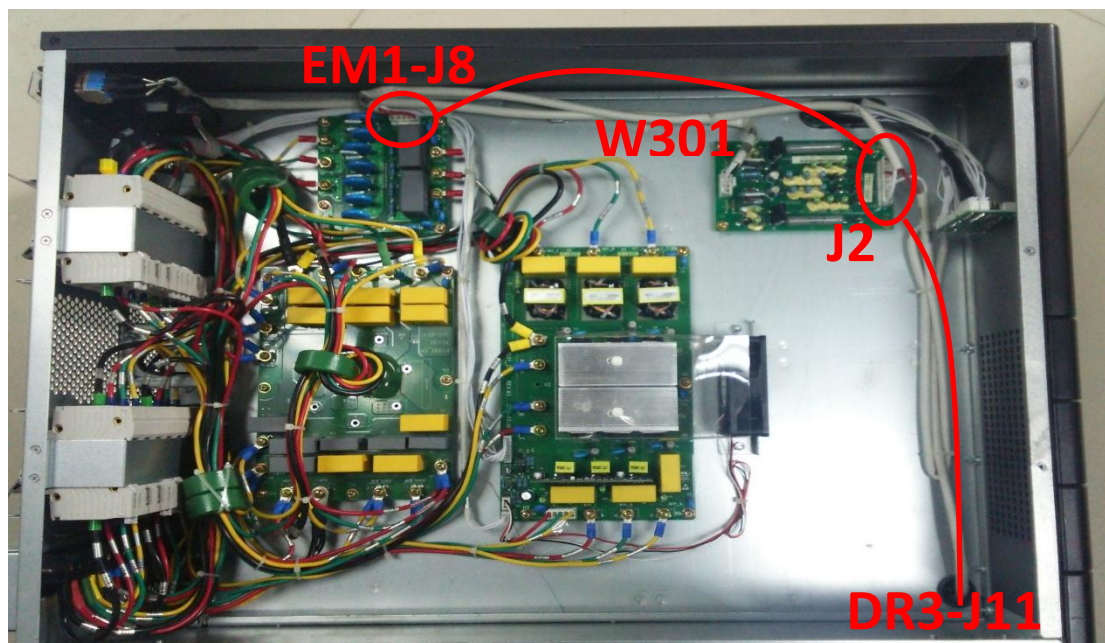


Figure 5 W301 cable

5. After check all cables and install back the unit cover.
6. Close the battery switch, and check the battery voltage, if it is normal, then press the battery cold start button for 3 seconds, UPS LCD will be lighted.
7. If UPS do not start automatically, please press the button again for 3 seconds.