

SNR-DWDM1-MDM-4/M

DWDM MUX/DMUX 4CH dual fiber series

1. Summary

Feature:

- 100GHz ITU Channel Spacing
- Low Insertion Loss
- Wide Pass Band
- High Channel Isolation
- High Stability and Reliability
- Epoxy Free Optical Path

Application:

- DWDM Network
- Fiber Optical Amplifier
- Metro Network
- Access System

Performance Specification:

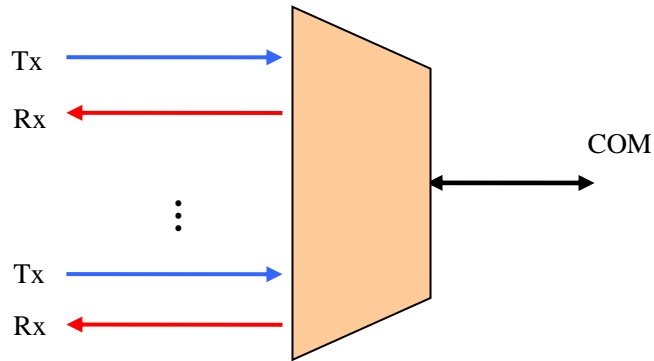
Parameter	Specification	
	Mux	Demux
Channel Number	4	4
Operating Wavelength (nm)	ITU Channel 34, 35, 36, 37, 58, 59, 60, 61	
Center Wavelength Accuracy (nm)	±0.08	
Bandwidth @-0.5dB (nm)	>0.30	
Insertion Loss (dB)	<3.0	
Ripple in pass band (dB)	<0.5	
Adjacent Channel Isolation (dB)	>28	
Non-Adjacent Channel Isolation (dB)	>40	
TDL (dB)	<0.5	
PDL (dB)	<0.3	
PMD (ps)	<0.2	
Directivity (dB)	>50	
Return Loss (dB)	>45	
Operating Temperature (°C)	-10~70	
Storage Temperature (°C)	-40~85	
Connector Type	COM:SC/UPC;Others:LC/UPC	
Fiber Type	SMF-28e	
Packaging Dimension	1/2 slot: 217x185x26	

Notes: All Parameters are excluding connectors. IL will increase 0.3dB with connectors

SNR-DWDM1-MDM-4/M

DWDM MUX/DMUX 8CH dualfiber

Function Program:

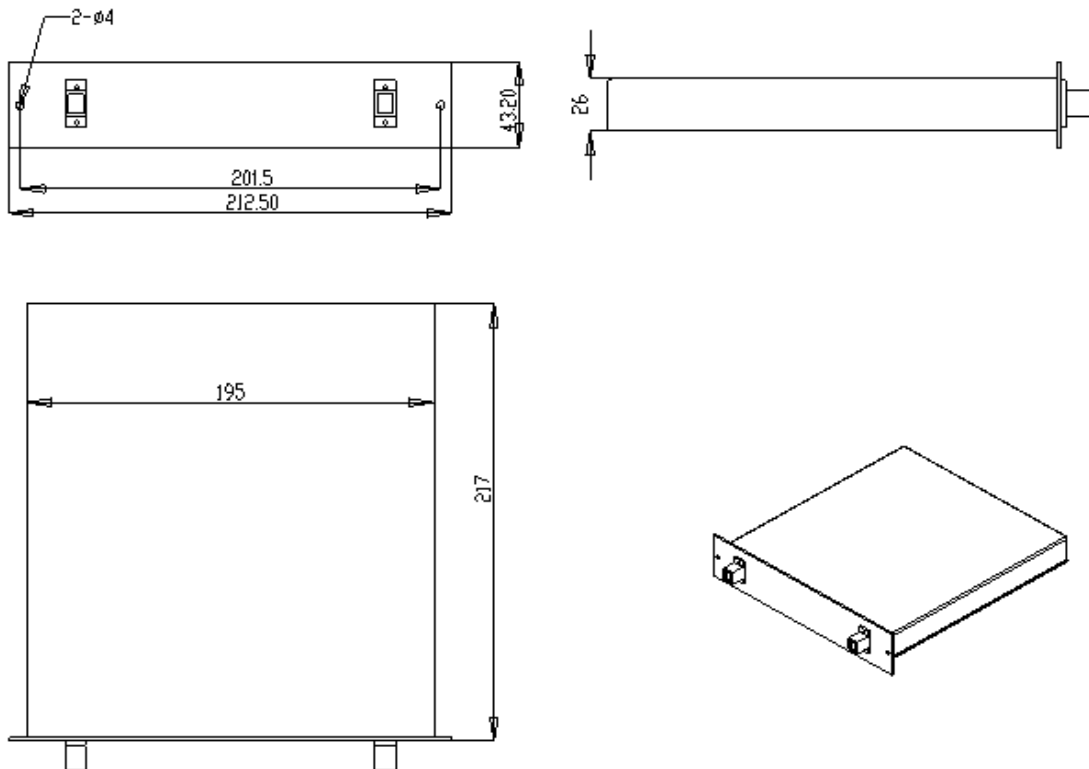


Tx: 1528.77,1529.55,1530.33,1531.12

Rx: 1547.72,1548.51,1549.32,1550.12

Package Dimensions:

1/2-Slot:



SNR-DWDM1-MDM-4/M

DWDM MUX/DMUX 8CH dualfiber

GUARANTEE:



CONTACT:

Address 620110, Sverdlovsk region, Yekaterinburg, Krasnolesya str., 12A, 4th floor, Russian

Tel: +7(343) 379-98-38

Fax: +7(343) 379-98-38

E-mail: info@nag.ru

Online shop: <http://shop.nag.ru>