

SNR-CWDM-MDM-2/M

CWDM MUX/DMUX 4CH single fiber series

CWDM Mux/Demux Module (4ch)

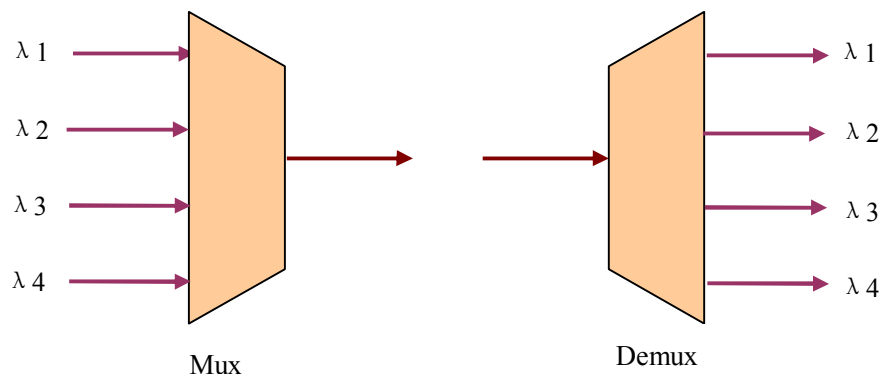
Feature:

- Low Insertion Loss
- Wide Pass Band
- High Channel Isolation
- High Stability and Reliability
- Epoxy Free Optical Path

Application:

- WDM Network
- Telecommunication
- Metro Network
- Access System

Function:



Performance Specification:

Parameter	Specification	
	Mux	Demux
Channel Number	4	4
Operating Wavelength (nm)	TRx 1550/1530, 1570/1510	
Center Wavelength Accuracy (nm)	± 0.5	
Bandwidth @-0.5dB (nm)	> 15	
Insertion Loss (including connector loss) (dB)	< 1.8	< 1.8
Ripple (dB)	< 0.3	
Adjacent Channel Isolation (dB)	> 30	
Non-Adjacent Channel Isolation (dB)	> 40	
TDL (dB)	< 0.45	
PDL (dB)	< 0.1	
Directivity (dB)	> 55	
Return Loss (dB)	> 45	
Operating Temperature ($^{\circ}\text{C}$)	$-10 \sim 70$	

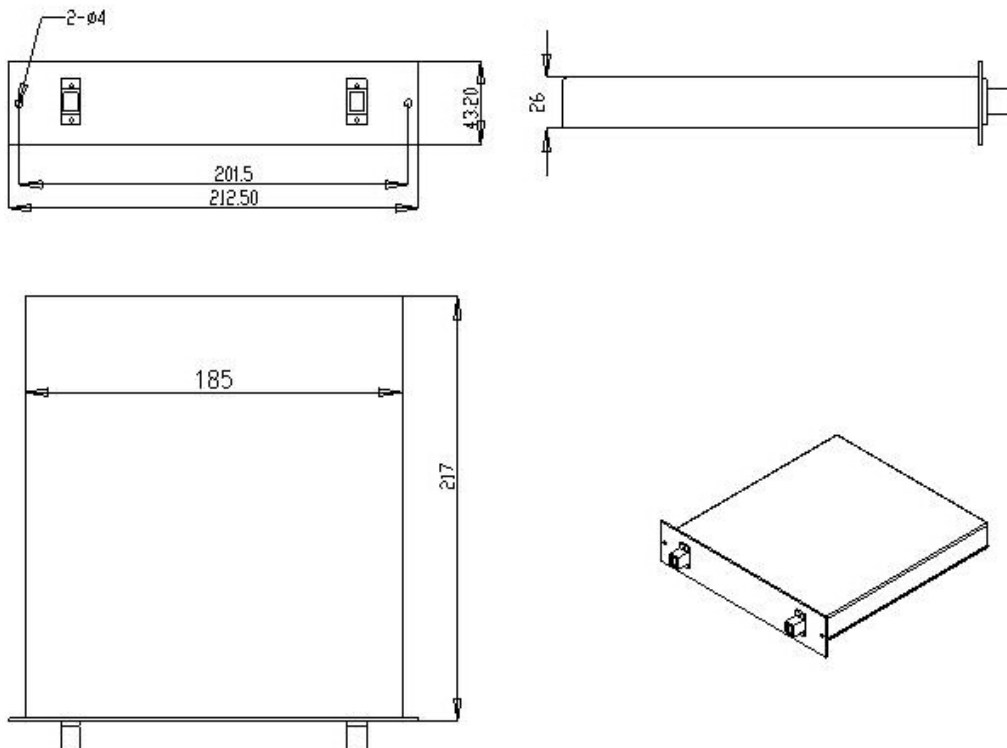
SNR-CWDM-MDM-2/M

CWDM MUX/DMUX 4CH single fiber series

Storage Temperature (C)	-40~85
Connector Type	COM with SC/UPC, the other ports with LC/UPC
Fiber Type	SMF-28e
Packaging Dimension	19" 1U-height pathpanel type 210x230x43.6

Notes: All Parameters are including connectors.

Package Dimensions:



SNR-CWDM-MDM-2/M

CWDM MUX/DMUX 4CH single fiber series

GUARANTEE:



CONTACT:

Address: Building 56/2, Predelnaya Street, Yekaterinburg, Russia

Tel: +7(343) 379-98-38

Fax: +7(343) 379-98-38

E-mail: info@nag.ru

Online shop: <http://shop.nag.ru>