

1. General specification

Processor	Cortex-A8 32-Bit RISC
System clock	303MHz
RAM	DDR3 256M Byte
Flash	128M Byte
Watchdog	Yes
RTC	Yes
LED indicator	3
LAN interface	10M/100M
Extended communication interface	RJ45 Can connect temperature and humidity, water immersion, SMS alarm

2. Power specification

	Range	Rated	Min	Max
Input				
Input DC voltage		12V	9.6V	14.4V
Input DC current		500mA	/	/

3. Pinout

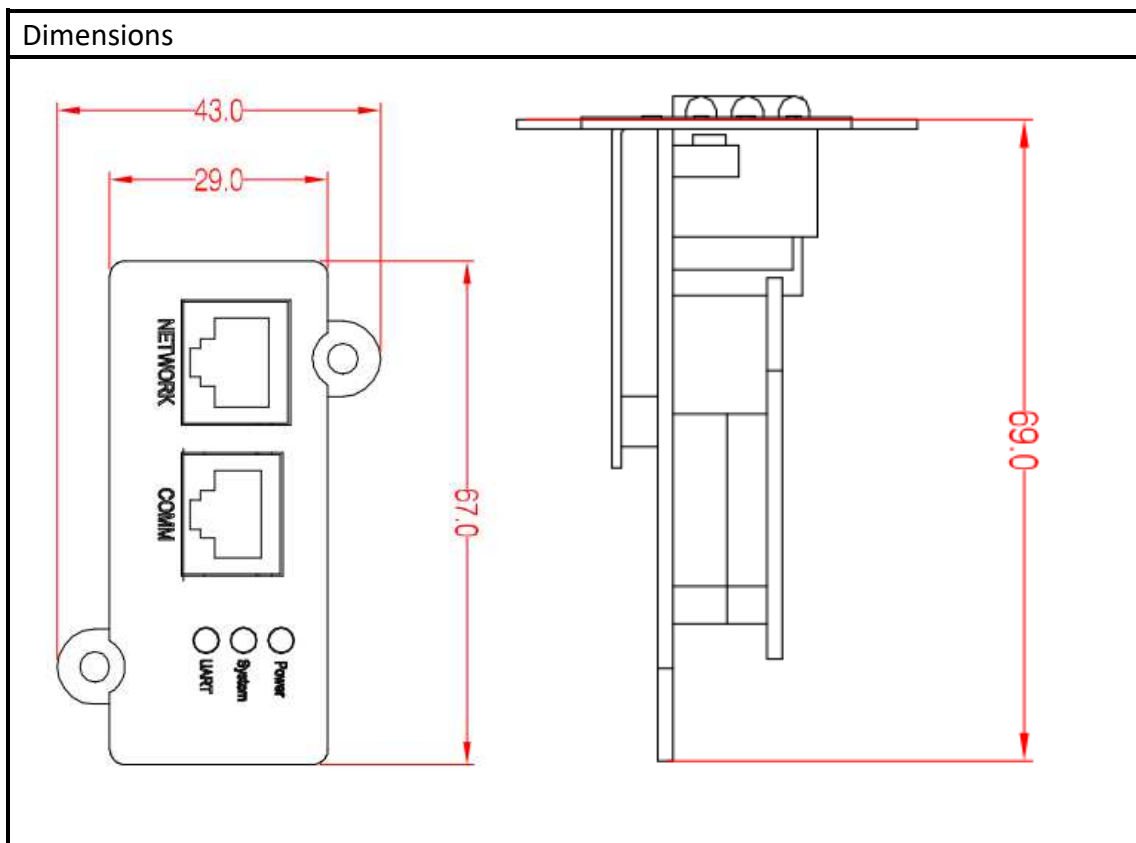
Pin definition	Input/output information	Description
P1 GND	GND	GND
P2 Power In	Input	Input DC power
P3 RS232_TXD	Output	RS232 signal output
P4 RS232_RXD	Input	RS232 signal input
P9 GND	GND	GND

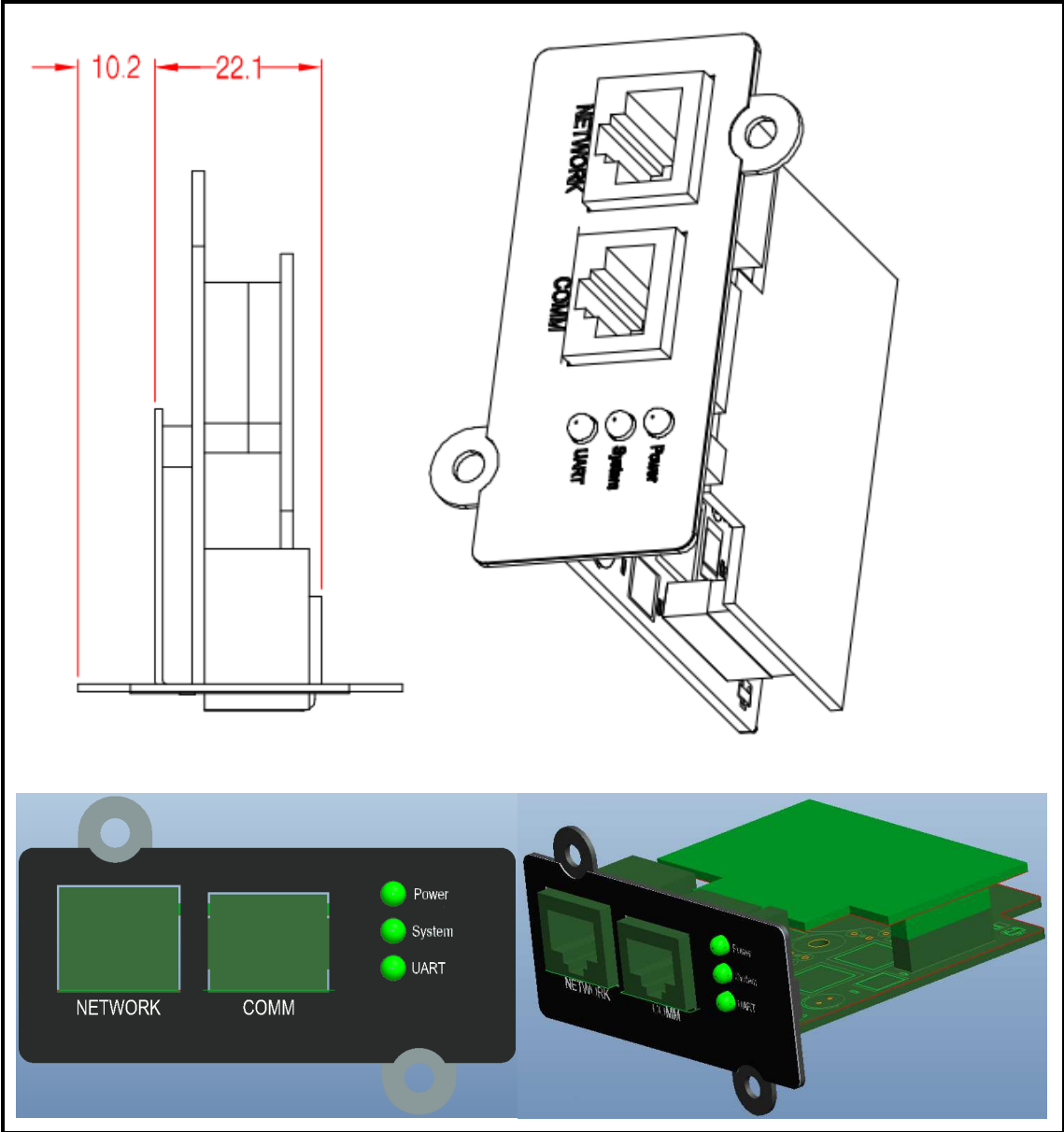
4. Environmental specification

Parameters	Min	Max
Operation Temperature	0°C	70°C
Storage Temperature	-40°C	85°C
Operating Humidity	10% RH	90% RH
Storage Humidity	5% RH	95% RH

5. Dimensions and Appearances

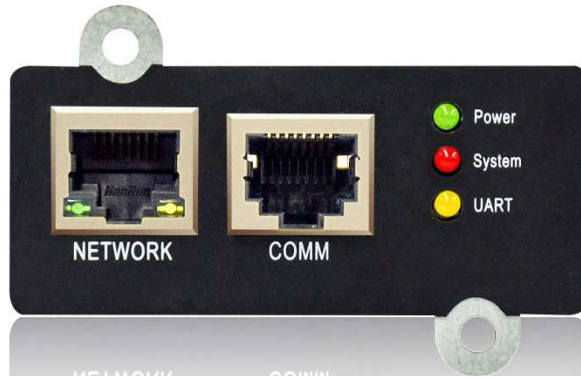
Dimensions	69.0mm(L) × 67.0mm(W) × 43.0mm(H)
Connector	26 pin special card slot





Appearances

Front



Top、Bottom

