

Contents

- 1. General Specification**
- 2. Power Specification**
- 3. Pin Assignment**
- 4. Signal Specification**
- 5. Environment Specification**
- 6. Dimension and Outlooking**

1. General Specification

CPU	ARM Cortex-A8 32bit
System Clock	600MHz
Flash Memory	128M Byte
SDRAM	128M Byte
LED	4
Watch Dog	Yes
USB Port	1
Modem Port	No
Environment Port	No
Real Time Clock	Yes
LCD Display	No
LAN Interface	10M/100M/1000M UTP
Ethernet Throughput	3M Byte per seconds
Ethernet Latency	0.2 milliseconds

2. Power Specification

NetAgentA

ITEM	Minimum	Maximum
DC Input Voltage	+5V	+15V
DC Input Current		6W Maximum

3. Pin Assignment

Pin	Input/Output	Description
P1 GND	GND	Ground PIN
P2 PowerIn	Input	DC power input.
P3 RS232_TXD	Output	+5.5V and -5.5V Voltage level for RS232
P4 RS232_RXD	Input	-3V to -15V for logic '1', +3V to +15V for logic '0'
P5-P7	No USE	
P8 SNMPSIG		NetAgent card plug in detect, connect to PIN 10
P9 GND	GND	Ground PIN
P10 SNMPSIG		NetAgent card plug in detect, connect to PIN 8
P11-P26	No Use	

4. Signal Specification

Receiver Inputs

PARAMETER	CONDITIONS	MIN	TYP	MAX
Input Voltage Range		-25V		+25 V
Input Threshold Low	TA = +25°C	+0.6V	+1.2V	
Input Threshold High	TA = +25°C		+1.5V	+2.4V
Input Hysteresis			0.3 V	
Input Resistance	TA = +25°C	3 k ohm	5 k ohm	7k ohm

Transmitter Outputs

PARAMETER	CONDITIONS	MIN	TYP	MAX
Output Voltage Swing	All transmitter outputs loaded with 3k ohm to ground	±5.0V	±5.4V	
Output Resistance	TA = +25°C	300	10M	
Output Short-Circuit Current			±35 mA	±60 mA

USB Port

Parameter	Description
Output Power	Maximum 500mA
USB Function	Universal Serial Bus Specification Rev. 2.0
Data Transfer	Supports data transfer at High-speed(480Mbit/sec), Full-speed(12Mbit/sec) and Low-speed (1.5Mbit/s)

5. Environment Specification

PARAMETER	CONDITIONS	Minimum	Maximum
Operating Temperature		0 °C	60 °C
Storage Temperature		-40 °C	85 °C
Operating Humidity	Non-Condensing	10% RH	90% RH
Storage Humidity	Non-Condensing	5% RH	95% RH

EMI
FCC Class B, CE

6. Dimension and Outlook

The whole package includes the following items.

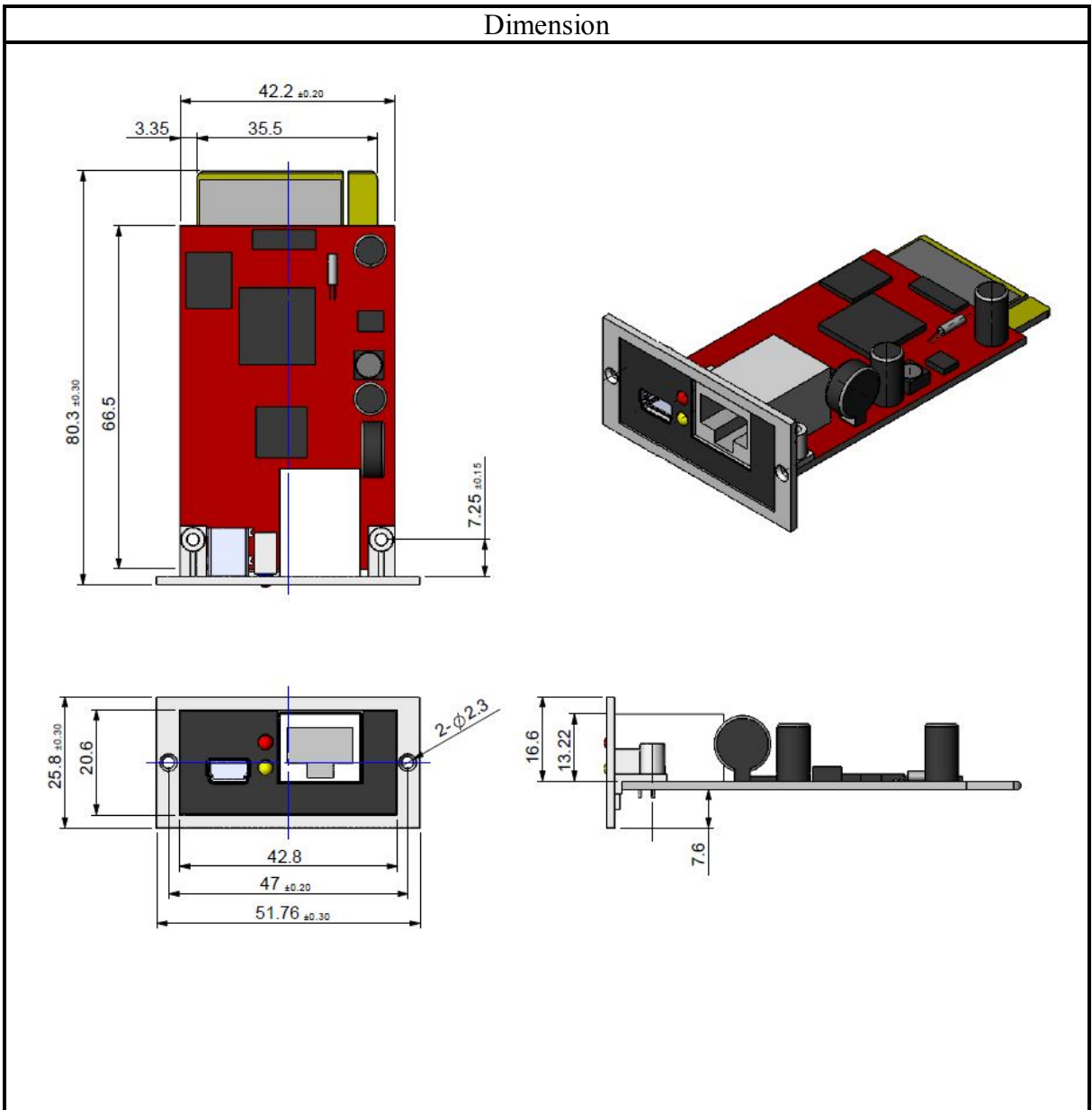
A. NetAgentA Module

Dimension	80.31mm(L) x 51.76mm(W) x 25.8mm(H)
-----------	-------------------------------------

Weight

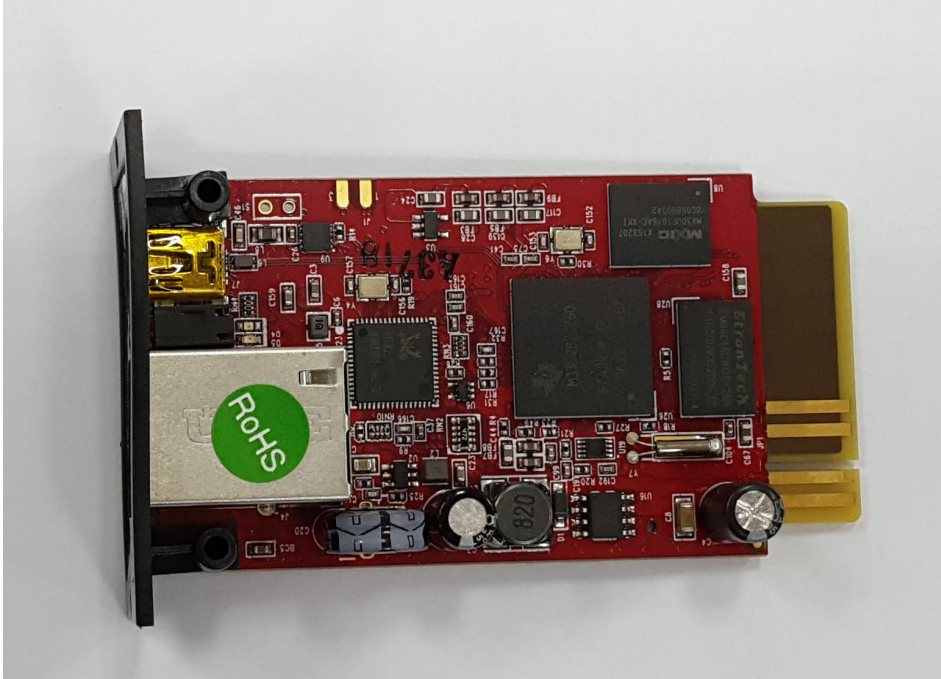
30.5g±2g

Dimension



Outlook

Top view



Bottom view



B. M2509 Cable

Dimension	23cm(L) \pm 1cm
Weight	15.0g \pm 1g
Envelope	In a plastic bag, 15.0cm(L) x 7.0cm(W)



C. NetAgent Utility CD

Dimension	12cm diameter
Weight	16g±1g
Envelope	In a plastic CD envelope, 15cm(L) x 13cm(W)

Please refer to the “NetAgent Utility” CD Specification for the detail contents inside the CD.



D. Shielding Bag

Dimension	150mm(L) x 95mm(W)
Weight	1.9g±0.5g



E. Desiccant

Dimension	48mm(L) x 39mm(W)
Weight	2.1g±0.5g



F. Packing

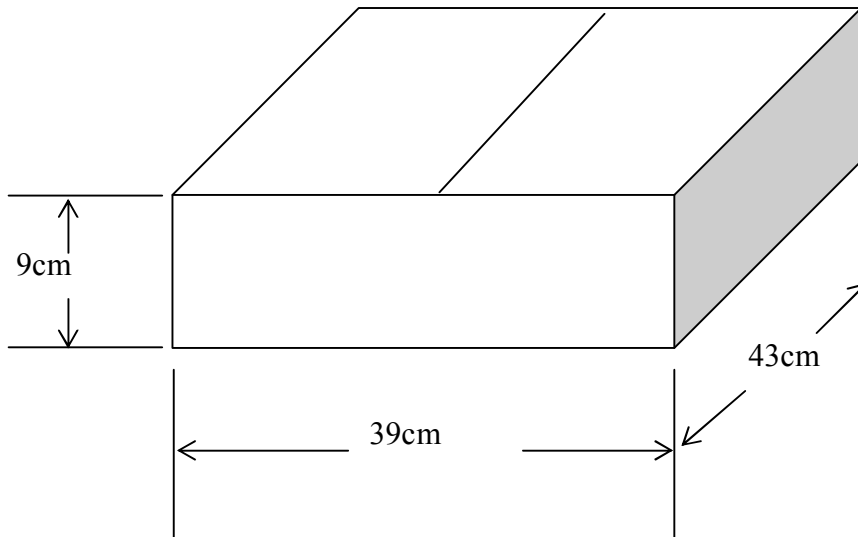
Internal packaging

Dimension	80.31mm(L) x 51.76mm(W) x 25.8mm(H)
Weight	34.5g±5g
Envelope	In a plastic bag, 15cm(L) x 9.5cm(W)



The Packing is using a pizza box.

Dimension	43cm(L) x 39cm(W) x 9cm(H)
Quantity	50pcs
Total Weight	2365g±200g



* For 50pcs DA806b

