

# RouterBOARD 493

## Quick Setup Guide and Warranty Information

### First use

- Insert the MiniPCI cards. RouterBOARD 493 provides three MiniPCI slots.
- Connect antenna cables to the MiniPCI cards.
- Install the board in a case and connect other peripherals and cables.
- Plug in power cable to turn on the board.

### Powering

The board accepts powering from the power jack, or from the LAN1 Ethernet port:

1. direct-input power jack **J901** (5.5mm outside and 2mm inside diameter, female, pin positive plug) accepts 9..28 V DC (overvoltage protection starts at 28.5V-29V).
2. LAN1 Ethernet port **J601** accepts 9..28 V DC input (at the board; higher voltage is needed to compensate for power loss on long cables – at least 18V suggested) from non-standard (passive) Power over Ethernet injectors (no power over datalines). The board **does not** work with IEEE802.3af compliant 48V power injectors.

**CAUTION:** all power inputs are always active, but only one of them may be used at a time to avoid damage of equipment. The maximum output of the power supply available for extension cards is normally 10W (3.0A).

### Booting process

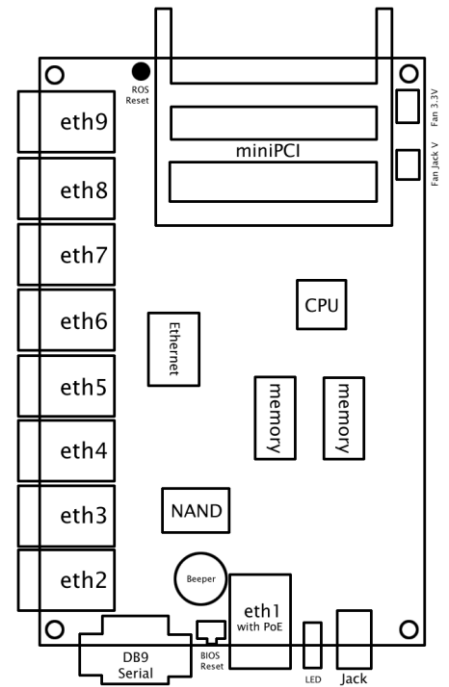
Initial connection has to be done via the Ethernet cable. Open **192.168.88.1** in your web browser, and choose “Webfig” for browser based configuration or “Winbox” for a Windows utility with the same functions. Username is **admin** and there is no password. In case IP connection is not available, Winbox can be used to connect to the MAC address of the device. More information here: [http://wiki.mikrotik.com/wiki/First\\_time\\_startup](http://wiki.mikrotik.com/wiki/First_time_startup)

In case you wish to boot the device from network, for example to use MikroTik Netinstall, hold the RESET button of the device when starting it until the LED light turns off, and the device will start to look for Netinstall servers.

It is also possible to connect with the onboard RS232C serial port. The serial port is set by default to 115200bit/s, 8 data bits, 1 stop bit, no parity, flow control off.

### Extension Slots and Ports

- Nine Ethernet ports, supporting automatic cross/straight cable correction (Auto MDI/X), so you can use either straight or cross-over cables for connecting to other network devices. The first Ethernet port (marked with the “PoE” label and detached from the 8-port block) accepts 9..28 V DC powering from a passive PoE injector. The other eight Ethernet ports (placed as a block) **do not** support PoE powering.
- Three MiniPCI Type IIIA/IIIB ports with 3.3V power signaling.
- DB9 RS232C asynchronous serial port.



## Operating System Support

Currently tested operating system is MikroTik RouterOS (starting from ROS version 3.0).

## Copyright and Warranty Information

Copyright MikroTiks SIA. This manual contains information protected by copyright law. No part of it may be reproduced or transmitted in any form without prior written permission from the copyright holder. RouterBOARD, RouterOS, RouterBOOT and MikroTik are trademarks of MikroTiks SIA. All trademarks and registered trademarks appearing in this manual are the property of their respective holders.

**Hardware.** MikroTik warrants all RouterBOARD series equipment for the term of fifteen (15) months from the shipping date to be free of defects in materials and workmanship under normal use and service, except in case of damage caused by mechanical, electrical or other accidental or intended damages caused by improper use or due to wind, rain, fire or other acts of nature.

To return failed units to MikroTik, you must perform the following RMA (Return Merchandise Authorization) procedure. Follow the instructions below to save time, efforts, avoid costs, and improve the speed of the RMA process.

1. If you have purchased your product from a MikroTik Reseller, please contact the Reseller company regarding all warranty and repair issues, the following instructions apply **ONLY** if you purchased your equipment directly from MikroTik in Latvia.
2. We do not offer repairs for products that are not covered by warranty. Exceptions can be made for RB1000, RB1100 and RB1200.
3. Out-of-warranty devices and devices not covered by warranty sent to Mikrotiks will be returned to the sender at sender's cost.

RMA Instructions are located on our webpage here: <http://rma.mikrotik.com>

**Manual.** This manual is provided “as is” without a warranty of any kind, expressed or implied, including, but not limited to, the implied warranty of merchantability and fitness for a particular purpose. The manufacturer has made every effort to ensure the accuracy of the contents of this manual, however, it is possible that it may contain technical inaccuracies, typographical or other errors. No liability is assumed for any inaccuracy found in this publication, nor for direct or indirect, incidental, consequential or other damages that may result from such an inaccuracy, including, but not limited to, loss of data or profits. Please report any inaccuracies found to [support@mikrotik.com](mailto:support@mikrotik.com)