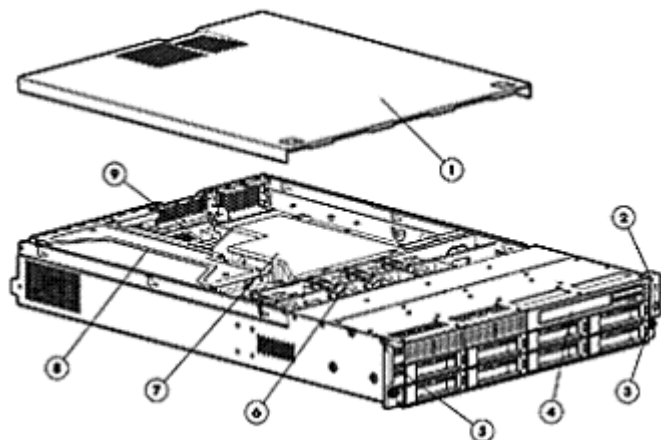
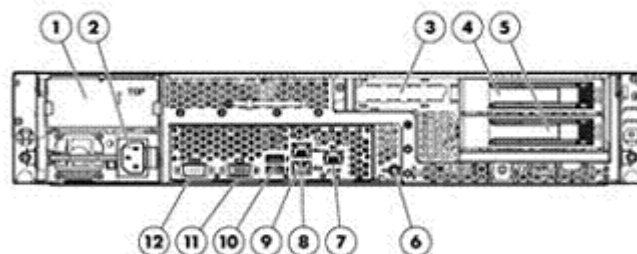


Overview



Front View:

1. Access panel
2. Front LED Indicators
3. Power on/off
4. Optional DVD-RW or DVD-ROM drive
5. Front USB Ports (2)
6. Non-Hot Plug Non Redundant fans (4 fans)
7. Air Baffle
8. PCI Cage
9. System Board



Rear View:

1. Redundant Power Supply Bay (Optional)
2. Power Supply Cable Socket
3. Low Profile Card Slot
4. PCI Expansion Card Slot
5. PCI Expansion Card Slot
6. UID LED Button
7. (Optional) LO100i 10/100 Mbps LAN port for IPMI management (RJ-45)
8. LAN Port
9. LAN Port
10. 2 Rear USB 2.0 Ports
11. VGA Port
12. Serial Port

What's New

- Announcing support for the Intel® Xeon® processor 5600 series—the next generation of intelligent server processors - offering significant performance (up to 40% over single-core processors), power regulation (Low Voltage DIMMs) enhancements
- Announcing the new High Efficiency server mode.
- Support for 750 W and 460 W Platinum Power Supply
- Support for I/O Accelerators

At A Glance

The HP ProLiant DL180 G6 is a low cost high capacity storage optimized 2-way server that delivers on a history of design excellence and 2U density for a variety of rack deployments and applications.

- **Processors:**
 - Supports up to two Intel® Xeon® Six and Four -Core 5600 sequence processors with up to 12 MB Level 3 cache
 - Supports up to two Quad-Core Intel® Xeon® processors: 5500 sequence with 8MB Level 3 cache
 - Intel® 5520 Chipset
- **Memory:**
 - Up to 12 DIMM slots



Overview

- Up to 192GB, using 16GB Quad-Rank PC3-8500R-7 DDR3 Registered (RDIMM) memory, operating at 800MHz when fully populated at 2 DIMMs per Channel in 12 slots
- Up to 96GB, using PC3-10600R DDR3Registered (RDIMM) memory, operating at 1066MHz when fully populated at 2 DIMMs per Channel in 12 slots.
 - Up to 48GB, using PC3-10600E DDR3 Unbuffered (UDIMM) memory, operating at 1066MHz when fully populated at 2 DIMMs per Channel in 12 slots**NOTE:** Half DIMM slots are available when one processor is installed.
- **Internal Drive Support:**
 - Support for up to twenty-five (25) SFF with a Smart Array controller.
 - Hot Plug Serial ATA (SATA) Models: Up to 12.5 TB (25 x 500GB Hot Plug 2.5"hard drives)
 - Hot Plug Serial Attached SCSI (SAS) Models: Up to 12.5 TB (25 x 500GB Hot Plug 2.5"hard drives)
 - Support for up to fourteen (14) LFF with a Smart Array controller:
 - Hot Plug Serial ATA (SATA) Models: Up to 28.0TB (14 x 2TB Hot Plug 3.5" hard drives)
 - Hot Plug Serial Attached SCSI (SAS) Models: SAS Model: Up to 28.0TB (14 x 2TB Hot Plug 3.5" hard drives)**NOTE:** Four (4), eight (8) and twelve (12) hard drives models are supported standard via BTO. Eight (8) and twelve (12) hard drive model support requires the addition of a Smart Array or HBA controller. Hot Plug and SAS functionality require the addition of a Smart Array or HBA controller.
 - Standard model drive bays:
 - Four (4) 3.5"Large Form Factor (LFF) hot-plug drive bays supporting up to 6Gb/s SAS or 3Gb/s SATA transfer rate.
NOTE: Embedded SATA controller support transfer rate up to 1.5Gb/s SATA. HP Smart Array P212 or P410 controller is required to achieve 6Gb/s SAS or 3Gb/s SATA transfer rate
 - Eight (8) 3.5" Large Form Factor (LFF) hot-plug drive bays supporting up to 6Gb/s SAS or 3Gb/s SATA transfer rate.
 - Twelve (12) 3.5" Large Form Factor (LFF) hot-plug drive bays supporting up to 3Gb/s SAS or 3Gb/s SATA transfer rate.
 - Optional drive bays:
 - Twenty Five (25) 2.5" Small Form Factor (SFF) hot-plug drive bays supporting up to 6Gb/s SAS or 3Gb/s SATA transfer rate.
 - Eight (8) 2.5" Small Form Factor (SFF) hot-plug drive bays supporting up to 6Gb/s SAS or 3Gb/s SATA transfer rate.
 - Rear Two (2) 3.5" Large Form Factor (LFF) hot-plug drive bays to use with 12LFF bays supporting up to 3Gb/s SAS or 3Gb/s SATA transfer rate.
NOTE: Full Height/ Full Length Riser Option is not available when the Rear 2LFF drive bays is selected for the system.
NOTE: All Hard drive bay options except 4LFF require HP Smart Array P410 or P212 controller.
NOTE: To achieve highest possible stated transfer rate please make sure the firmware on the drive bays (backplanes) and HP Smart Array controller up to date. Latest firmware are available to download from HP support web site.
- **Network Controller:**
 - HP NC362i Integrated Dual Port Gigabit Server Adapter
- **Storage Controllers:**
 - 4 HDD Models: HP Embedded SATA RAID Controller RAID 0,1,10
NOTE: Embedded SATA controller support transfer rate up to 3Gb/s SATA
NOTE: To enable RAID on Embedded SATA, use the HP Smart Array B110i SATA Raid controller, To enable use of the B110i, enter the ROM based setup utility(RBSU). The option for enabling RAID can be found in the Advanced section of the RBSU
NOTE: For Hot Plug SATA, upgrade to the Smart Array Hot Plug Advance Pack for B110i
 - 8 HDD Models: HP Smart Array P410 /256MB Controller (RAID 0/1/1+0/5/5+0 **NOTE:** Support speed up to 6Gb/s SAS or 3Gb/s SATA
NOTE: Available upgrades: 512MB with BBWC or FBWC, Battery kit upgrade (for the 256MB cache), and Smart Array Advanced Pack (SAAP)



Overview

- 12 HDD Models: HP Smart Array P212 /256MB Controller(RAID 0/1/1+0/5/5+0)
NOTE: A minimum of 256 MB cache, battery kit, and Smart Array Advanced Pack License Key upgrade is required to enable RAID 6, 6+0 **NOTE:** Support speed up to 3Gb/s SAS or 3Gb/s SATA
- 25 HDD Model: HP Smart Array P212/256MB Controller (RAID 0/1/1+0/5/5+0)
NOTE: Available upgrades: P410 with FBWC, 256MB with BBWC, 512MB with FBWC, Battery kit upgrade (for the 256MB cache), and Smart Array Advanced Pack (SAAP). **NOTE:** Support speed up to 6Gb/s SAS or 3Gb/s SATA
NOTE: To achieve highest possible stated transfer rate please make sure the firmware on the drive bays (backplanes) and HP Smart Array controller up to date. Latest firmware are available to download from HP support web site
- **Expansion Slots:**
 - Up to Four (4) available PCI-Express Slots via the three (3) PCI-E Slot Riser
 - One available Low Profile x16 PCI-Express slot using a Low profile Riser
 - One 3PCI-E x8 Full Height Kit, providing 2x8 full length/full height slots as well as an additional x8(x4 electrically) slot
 - Two Full Height/ Full Length Riser options:
 - Option 1: 2 PCIe2x8 and 1 PClex8(4) full-length/full-height slots (Standard)
 - Option 2: 2 PCIe2x8 full-length/full-height PCI-Express slots (Optional)
 - Option 3: 2 PCI-X, full-length/full-height riser Slots(Optional)
 - Option 4: 1 PCIe2x16 full-length / full-height slot (Optional)
 - Option 5: 2 PCIe2x8 and 1 PClex8(4) full-length/full-height slots (Optional)**NOTE:** Full Height/ Full Length Riser Option are not available when the Rear DVD or rear 2LFF drive bay are selected for the system. The rear DVD kit includes the riser option
- **Redundancy:**
 - Fully redundant non-hot plug fans (Optional)
 - Hot plug power supply with optional redundancy
- **Power Sources:**
 - Dual Common Slot Bay for Right Sized, Hot plug and Redundant Power
 - HP 750W CS HE Gold Power Supply (Standard on some models)
 - HP 460W CS HE Gold Power Supply (Standard on some models)
 - HP 460 W CS Platinum Power Supply Kit (Standard on some models)
 - HP 750W CS Platinum Power Supply Kit
- **Infrastructure Management:**
 - With G6, ProLiant 100-series server administrators are able to deploy and monitor their servers using methods similar to 300 series servers and above. Agents and the Easy Set-up CD are available that provide a user experiences consistent with 300 series and above.
 - With Easy Set-up CD, customers get SmartStart "like" deployment tools that reduce the time required for server setup and updates. Easy Set-up CDs and their ISO images are provided with each ProLiant G6 100-series server and are used to perform assisted installations for one or two servers. Users performing multi-server installations involving large numbers of servers may require the following deployment tools:
 - SmartStart Scripting Toolkit - Automated scalable deployment utility
 - Smart Components - a self-executable software consisting of driver and firmware
 - With agents and providers, ProLiant 100 series servers get environmental monitoring that is similar and consistent to that of ProLiant 300 series servers and above. This server now offers the HP Insight Management Agents and HP Insight Management WBEM Providers, two well established sets of management and Internet standards technologies that provide capabilities which provide integration to HP Systems Insight Manager (SIM).
 - HP Insight Control for Linux, a product option, delivers essential infrastructure management that can help save time and money by making it easy to deploy, migrate, monitor, control and optimize your IT infrastructure through a single, simple management console. Insight Control for Linux supports Linux-based central management servers.
- **Ports:**
 - Five USB ports (two front, two rear , one optional internal)
NOTE: In order to utilize the internal USB port the USB cable (P/N: 536769-B21) must be connected to the internal USB header
- **Optical Drive:**
 - Support for one (optional): DVD-ROM, DVD/CD RW



Overview

NOTE: In the 12LFF or 25SFF drives bay model Optical drives are required to be installed with rear option kit (P/N 515826-B21)

- **Form Factor:**
 - 2U rack models
- **Operating Systems and Virtualization Software:**
 - Supports Windows, RHEL, SLES, VMware, and Citrix XenServer (Retail)
- **Deployment/Serviceability:**
 - HP ProLiant DL180 G6 models have fixed rails which provide support for racks with round mounting holes and tool-free support for racks with square mounting holes (including Compaq/HP 7000, 9000, 10000 and HP series), with an adjustment range of 26" - 36"
 - Tool-less access to all system components for easy in rack serviceability
 - Customer Self Repair (CSR): HP products are designed with many CSR parts to minimize repair time and allow for greater flexibility in performing defective parts replacement
- **Warranty:**
 - This product is covered by a global limited warranty and supported by HP Services and a worldwide network of HP Authorized Channel Partners. Hardware diagnostic support and parts replacement is available for three years from date of purchase. Support for software and initial setup is available for 90 days from date of purchase. Enhancements to warranty services are available through HP Care Pack services or customized service agreements. Hard drives have either a one year or three year warranty; refer to the specific hard drive QuickSpecs for details.
NOTE: Server Warranty includes 3-Years Next Business Day Parts replacement, 0-Years Labor, 0-Years Onsite support. Additional information regarding worldwide limited warranty and technical support is available at: <http://h18004.www1.hp.com/products/servers/platforms/warranty/index.html>



Standard Features

NOTE: For the Standard Features shipped in the Factory Integrated Models, please see the "Configuration Information - Factory Integrated Models" section.

Processor

One of the following depending on Model

Six-Core Processors

Intel® Xeon® Processor X5670 (2.93 GHz, 12MB L3 Cache, 95W, DDR3-1333, HT, Turbo 2/2/2/2/3/3) FIO

NOTE: Available through Configure To Order only. See Factory Integration Models section for more details.

Intel® Xeon® Processor X5660 (2.80 GHz, 12MB L3 Cache, 95W, DDR3-1333, HT, Turbo 2/2/2/2/3/3) FIO

NOTE: Available through Configure To Order only. See Factory Integration Models section for more details.

Intel® Xeon® Processor X5650 (2.66 GHz, 12MB L3 Cache, 95W, DDR3-1333, HT, Turbo 2/2/2/2/3/3) FIO

Intel® Xeon® Processor L5640 (2.26GHz, 12MB L3 Cache, 60W, DDR3-1333, HT, Turbo 2/2/3/3/4/4) FIO

NOTE: Available through Configure To Order only. See Factory Integration Models section for more details.

Quad -Core Processors

Intel® Xeon® Processor E5640 (2.66 GHz, 12MB L3 Cache, 80W, DDR3-1066, HT, Turbo 1/1/2/2) FIO

NOTE: Available through Configure To Order only. See Factory Integration Models section for more details.

Intel® Xeon® Processor E5630 (2.53 GHz, 12MB L3 Cache, 80W, DDR3-1066, HT, Turbo 1/1/2/2) FIO

NOTE: Available through Configure To Order only. See Factory Integration Models section for more details.

Intel® Xeon® Processor E5620 (2.40 GHz, 12MB L3 Cache, 80W, DDR3-1066, HT, Turbo 1/1/2/2) FIO

Intel® Xeon® Processor E5506 (2.13 GHz, 4MB L3 Cache, 80W, DDR3-800), FIO

Intel® Xeon® Processor L5630 (2.13 GHz, 12M L3 Cache, 40W, DDR3-1066, HT, Turbo 1/1/2/2/) FIO

NOTE: Available through Configure To Order only. See Factory Integration Models section for more details.

Intel® Xeon® Processor E5540 (2.53 GHz, 8MB L3 Cache, 80W, DDR3-1066, HT, Turbo 1/1/2/2)

Intel® Xeon® Processor E5520 (2.26 GHz, 8MB L3 Cache, 80W, DDR3-1066, HT, Turbo 1/1/2/2)

Intel® Xeon® Processor E5506 (2.13 GHz, 4MB L3 Cache, 80W, DDR3-800)

Intel® Xeon® Processor L5630 (2.13 GHz, 12ML L3 Cache, 40W, DDR3-1066, HT, Turbo 1/1/2/2/) FIO

NOTE: Available through Configure To Order only. See Factory Integration Models section for more details.

Intel® Xeon® Processor L5520 (2.26 GHz, 8MB L3 Cache, 60W, DDR3-1066, HT, Turbo 1/1/2/2)

Intel® Xeon® Processor E5504 (2.00 GHz, 4MB L3 Cache, 80W, DDR3-800)

Two -Core Processors

Intel® Xeon® Processor E5503 (2.00 GHz, 4MB L3 Cache, 80W, DDR3-800) FIO

NOTE: Available through Configure To Order only. See Factory Integration Models section for more details.



Standard Features

NOTE: HT indicates that the processor model supports Intel® Hyper-Threading Technology.

NOTE: Turbo indicates the maximum potential frequency increment when using Intel® Turbo Boost Technology, with 4, 3, 2, and 1 cores active.

NOTE: DDR3 speed is the maximum memory speed of the processor. Actual memory speed may depend on the quantity and type of DIMMs installed.

NOTE: For the Intel 5000 Series, the letter preceding the model number indicates the performance/wattage of the processor. "X" denotes High Performance/Wattage; "E" denotes Enterprise Performance/Wattage (Mainstream); and "L" denotes Lower Wattage.

Upgradeability	Upgradeable to two processors
----------------	-------------------------------

Chipset	Intel® 5520 Chipset NOTE: For more information regarding Intel chipsets, please see the following URL: http://www.intel.com/products/server/chipsets/ .
---------	---

Cache Memory	12 MB Level 3 cache (L5630,E5620,X5650) 4 MB Level 3 cache (E5506)
--------------	---

Memory Protection	Advanced memory protection Mirroring Mode Lockstep Mode
-------------------	---

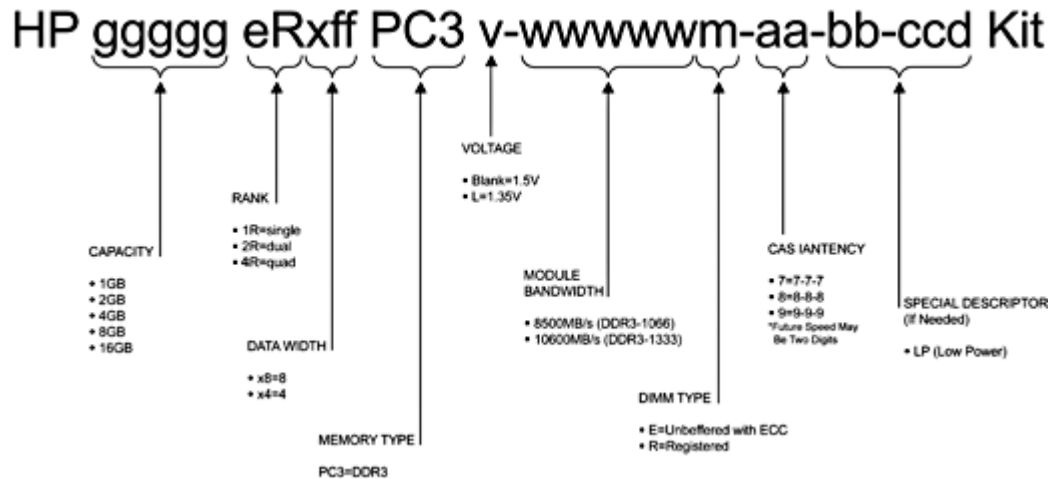
Memory	Type	DDR3 Registered (RDIMM) or Unbuffered (UDIMM)
	Standard (Entry Models)	4GB (1 x 4GB)
	Standard (Base Models)	8GB (2 x 4GB)
	Standard (Performance Models)	16GB (4 x 4GB)
	Maximum (RDIMM)	192GB (12 x 16GB)
	Maximum (UDIMM)	48GB (12 x 4GB)

NOTE: Depending on the memory configuration and processor model, the memory speed may run at 1333MHz, 1066MHz, or 800MHz. Please see the Online Memory Configuration Tool at: www.hp.com/go/ddr3memory-configurator.

DDR3 memory options part number decoder



Standard Features



Network Controller HP NC362i Integrated Dual Port Gigabit Server Adapter

Expansion Slots	Slot Number	Bus Speed	Bus Number*	Device Number**	Hot Plug (Y/N)	Notes
	1	x16 PCI-Express	6	0	N	Low Profile
	2	x8 PCI-Express	5	0	N	Full Length Full Height
	3	x8 PCI-Express	4	0	N	Full Length Full Height
	4	x4 PCI-Express	3	0	N	Full Length Full Height
	2	PCI-X***	Dynamic	1	N	Full Length Full Height
	3	PCI-X***	Dynamic	2	N	Full Length Full Height

NOTE: All slots can accept universal keyed PCI cards.

NOTE: Support is limited to PCI-X cards only.

* Default bus assignment. Inserting cards with PCI bridges may alter the actual bus assignment number.

** Slots are enumerated differently based on OS. MS OS's enumerate from lowest to highest Device ID by bus (starting with the lowest bus).

*** PCI-X bus speed will be 100MHz in maximum and support two PCI-X/100MHz cards.

**** Slot 2 contains bus 4 and bus 5 because BIOS configures this x16 PCI-express.

NOTE: PCI-X support is limited to PCI-X cards only.

NOTE: Slot to two x8 PCI-express slot for production riser, this is valid only on Option 1: 2 PCIe2x8 full-length/full-height PCI-Express slots (Optional) or Option 4: 2 PCIe2x8 and 1 PClex8 (4) full-length/full-height slots (Optional).



Standard Features

Storage Controller	4HDD Models	<p>HP Smart Array B110i SATA RAID</p> <p>NOTE: To enable RAID on Embedded SATA, use the HP Smart Array B110i SATA RAID Controller, To enable use of the B110i, enter the ROM based setup utility(RBSU). The option for enabling RAID can be found in the Advanced section of the RBSU.</p> <p>NOTE: Embedded SATA controller support transfer rate up to 3Gb/s</p> <p>NOTE: A diskette drive or virtual FDD using LO100 Advanced Pack is needed to install storage controller drivers during a Windows operating system installation from a CD.</p>
	8HDD Models	<p>HP Smart Array P410/256MB Controller (RAID 0/1/1+0/5/5+0)</p> <p>NOTE: Support transfer rate up to 6Gb/s SAS or 3Gb/s SATA</p>
	12HDD Models	<p>HP Smart Array P212/256MB Controller (RAID 0/1/1+0/5/5+0)</p> <p>NOTE: Available upgrades: P410 with FBWC, 256MB with BBWC, 512MB with FBWC, Battery kit upgrade (for the 256MB cache), and Smart Array Advanced Pack (SAAP).</p> <p>NOTE: Support transfer rate up to 3Gb/s SAS or 3Gb/s SATA</p>
	25HDD Models	<p>HP Smart Array P410/256MB Controller (RAID 0/1/1+0/5/5+0)</p> <p>NOTE: Available upgrades: P410, 512MB with FBWC, Battery kit upgrade (for the 256MB cache), and Smart Array Advanced Pack (SAAP).</p> <p>NOTE: Support transfer rate up to 6Gb/s SAS or 3Gb/s SATA</p>
<p>NOTE: A minimum of 256 MB cache, battery kit, and Smart Array Advanced Pack License Key upgrade (P/N: 516471-B21) is required to enable RAID 6, 6+0</p> <p>NOTE: To achieve highest possible stated transfer rate please make sure the firmware on the drive bays (backplanes) and HP Smart Array controller up to date. Latest firmware is available to download from HP support web site.</p>		

Storage	Diskette Drives	Via USB only
	Optical Drives	<p>Optional HP Slim SATA DVD-ROM Optical Drive</p> <p>Optional HP Slim SATA DVD RW Optical Drive</p> <p>NOTE: Support in 4, 8, and 12 drive models. Optical drives can only be installed in 12 drive model and 25SFF drive bay system with rear option kit (P/N 515826-B21).</p>
	Drive Bays	<p>Up to 14 Hot Plug SAS/SATA 3.5" drives</p> <p>Up to 25 Hot Plug SAS/SATA 2.5" drives</p> <p>NOTE: 4 Drive Models are Non-Hot Pluggable. Smart Array Controller must be added for Hot Plug drive capability. 4 Drive Models can be upgraded with the addition of a Smart Array Controller and a SAS/SATA Multi-lane cable (496013-B21).</p> <p>NOTE: The addition of a Smart Array Controller requires the addition of a SAS/SATA Multi-lane cable (P/N 496013-B21).</p>

Maximum Internal Storage	Hot Plug 3.5" SATA	28.0TB (14 x 2TB)
	Hot Plug 3.5" SAS	28.0TB (14 x 2TB)
	Hot Plug 2.5" SATA	12.5TB (25 x 500GB)
	Hot Plug 2.5" SAS	12.5TB (25 x 500GB)



Standard Features

Interfaces	Network RJ-45 (Ethernet)	2 10/100/1000 NIC ports (plus 1 dedicated for the HP ProLiant Lights Out 100i Remote Management)
	Serial	1
	Graphics	1
	USB	5 total ports: (2) front, (2) rear, (1) optional internal NOTE: In order to connect a USB device internally, the internal USB Cable G6 Kit must be used (P/N 536769-B21). NOTE: Please see the following URL for additional information regarding USB support: http://h18004.www1.hp.com/products/servers/platforms/usb-support.html .

Graphics	32MB* shared supporting all display resolutions up to 1600x1200 16bpp@75Hz NOTE: 8MB is dedicated to video memory.
----------	--

Form Factor	Rack (2U), (3.5 in/8.89 cm)
-------------	-----------------------------

Embedded Manageability	HP Lights-Out 100 (LO100) Advanced	HP Lights-Out 100, simplifies server setup, control, and lights-out remote administration of ProLiant 100 Series servers and functions without additional software. It can be accessed from any location via LAN or Internet and works hand-in-hand with HP Systems Insight Manager (SIM), helping customers unlock the value of the ProLiant platform and deliver the highest possible quality of IT service to the business. Advanced Licenses are required for Virtual KVM and Virtual Media feature activation.
------------------------	---	---

Key features of LO100 are:

- IPMI 2.0 & SMASH CLP support
- ROM Setup Utility
- Improvements to virtual media with the addition of USB 2.0 drives and protocol support for much faster transfer speeds and DVD-ROM support plus simplified virtual media (floppy and CD with no FFTP server requirements)
- Enhanced browser interface and embedded KVM over IP provides OS-independent remote graphical console
- 24x7 Technical Support and Update (TSU) 1 year support and license upgrades included in Advanced license

NOTE: For more information, see: <http://www.hp.com/go/lo100>

HP Insight Control management software	HP Insight Control for Linux	HP Insight Control for Linux, as a product option, delivers essential infrastructure management that can help save time and money by making it easy to deploy, monitor, remote control, and optimize your IT infrastructure through a single, simple management console. The Insight Control for Linux installs and license software modules that are integrated into HP System Insight Manager.
--	-------------------------------------	--

The HP Insight Control for Linux (IC-Linux) serves environments requiring a Linux-based management consoles. See www.hp.com/go/ic-linux



Standard Features

Insight Control server deployment

HP Insight Control include one year of 24 x 7 HP Software Technical Support and Update Service ensuring rapid access to HP support staff and proactive delivery of software updates. For more information about this service, please visit: <http://www.hp.com/services/insight>

HP Insight Control server deployment is a deployment solution for HP ProLiant and Integrity servers hosted on a Windows CMS. It automates the process of deploying and provisioning server software, enabling companies to quickly and easily adapt to changing business demands. Insight Control server deployment includes software optimizations for HP servers, including the HP scripting toolkits, configuration jobs for leading industry-standard operating systems, sample unattended files, and HP server support packs that include software drivers, management agents, and important documentation. Deploying servers can be accomplished either through imaging or through scripting.

Insight Control server deployment is hosted on a Windows server and is intended for heterogeneous environments deploying Windows, Linux, VMware ESX and Microsoft Hyper-V systems.

Insight Control server deployment includes one year of 24 x 7 HP Software Technical Support and Update Service ensuring rapid access to HP support staff and proactive delivery of software updates. For more information about this service, please visit: <http://www.hp.com/services/insight>.

Core Server Management ProLiant 100 Series G6 Core Management Software

HP provides management solutions that are designed to simplify a server's installation, configuration, and maintenance throughout the entire server lifecycle. This provides the customers with higher levels of operational efficiency and highly reliable systems.

While ProLiant 100 series G6 servers do not support the Insight Foundation Suite for ProLiant, they support a key subset of this important suite software tools and utilities which are very suitable for this class of server: SIM, SMH, agents, providers, and a SmartStart 'like' deployment CD called Easy Set-up which greatly simplifies server set-up. Additionally the DL100 and SL100 G6 models support the SmartStart Scripting Toolkit (SSSTK), an automated scalable deployment utility.

Information on core management supported on ProLiant 100 series G6 servers can be found at these URLs:

- Core Management: www.hp.com/go/coremanagement

HP Systems Insight Manager

HP ProLiant 100 series Easy Set-up CDs: www.hp.com/servers/easysetup

HP Systems Insight Manager (HP SIM) provides a unified, secure and extensible standards-based environment to centrally manage servers, storage and other infrastructure devices, (both HP and non-HP) across multiple operating system platforms.

Insight Management Agents

- HP Insight Management Agents and Insight Management Providers are available for HP Systems Insight Manager (SIM) Integration.

ProLiant 100-series G6 servers can use the same SNMP based Insight



Standard Features

Management Agents supported by other ProLiant servers. As a result, administrators can use HP Systems Insight Manager (SIM) 5.3 and greater to manage ProLiant 100-series G6 servers. Administrators can also use any other SNMP-based management tool. These agents are obtained as part of the ProLiant 100-series model-specific "Easy Set-up" CDs, or through: www.hp.com/servers/easysetup

The following capabilities are enabled on the 100-series G6 servers by the SNMP agents:

- Health monitoring capabilities, including monitoring for drives, fans, network, power supplies, and temperature
- Alerting capabilities, including basic alert notification for Smart Array drive pre-failure only
- Performance monitoring capabilities providing information on processor, memory, disk free space, network utilization

NOTE: For additional information, please see:

<http://www.hp.com/go/insight>

Easy Set-up CD

Easy Set-up CDs are available on all 100-series G6 servers and are also available as an ISO image web download. HP ProLiant Easy Set-up CDs provide easy, step-by-step, single and multi-server server utilities for the ProLiant 100-series G6 servers to streamline server setup for 100-series G6 servers. The user experience is consistent with SmartStart and offers the following capabilities:

- Boot environment and GUI
- Assisted Installation: Windows 2003 Server and Windows 2008 Server drivers
- Manual installation: Windows 2003 Server, Windows 2008 Server, and Linux drivers (specific OS support varies by server. Refer to each server's QuickSpecs for supported versions)
- HP Insight Diagnostics
- AutoRun
- Array Configuration Utility (ACU) has been combined with Array Diagnostics Utility (ADU) to offer both configuration of array controllers and storage devices and testing of array controller hardware
- SmartStart Scripting Toolkit (SSSTK) and Smart Components for software and drivers for DL100 and SL100 servers

NOTE: OS and SW available for Manual Installation are listed on each servers' QuickSpecs.

SmartStart Scripting Toolkit (SSSTK)

The SmartStart Scripting Toolkit is a server deployment product that delivers an unattended automated installation for high-volume server deployments. The SmartStart Scripting Toolkit includes a set of utilities for configuring and deploying servers in a customized, predictable, and unattended manner. These utilities enable you to duplicate the configuration of a source server on target servers with minimum user interaction.

The Toolkit is designed for IT experts with experience in scripting operating system installations and configuring ProLiant server hardware.



Standard Features

NOTE: For additional information, please see:

<http://h18004.www1.hp.com/products/servers/management/toolkit/index.html>

Subscriber's Choice

Subscriber's Choice Driver and Support Alerts/Notifications is a web-based email subscription service that provides software and driver change notifications for ProLiant products. Sign up at:

<http://www.hp.com/go/subscriberschoice>

and customize your profile to receive various new alerts as they become available, on a weekly or monthly basis.

ROMPaaq, software and latest drivers

The latest software, drivers, and firmware fully optimized and tested for your ProLiant server and options; downloaded from Software and Drivers download pages website at: <http://www.hp.com/go/support> and from www.hp.com/servers/easysetup. Contains the following:

- HP Insight Management Agents for Systems Insight Manager (SIM) Integration
- HP Systems Management Homepage
- Array Configuration Utility (ACU)
- Array Diagnostics Utility (ADU)
- HP Insight Diagnostics

Industry Standard Compliance

ACPI V2.0 Compliant
PCI 2.2 Compliant
PXE Support
WOL Support
Microsoft® Logo certifications
IPMI 2.0 Compliant

Security

Power-on password
Setup password
Diskette boot control
Secure Sockets Layer (SSL)
Secure Shell (SSH)

Security - Trusted Platform Module

The TPM (Trusted Platform Module) is a microcontroller chip that can securely store artifacts used to authenticate the server platform. These artifacts can include passwords, certificates and encryption keys. Windows® BitLocker™ Drive Encryption (BitLocker) is a data protection feature available in Windows Server® 2008. BitLocker leverages the enhanced security capabilities of a Trusted Platform Module (TPM) version 1.2. The TPM works with BitLocker to help protect user data and to ensure that a server running Windows Server 2008 has not been tampered with while the system was offline.

NOTE: For more information about TPM, including a white paper, go to www.hp.com/go/TPM

NOTE: ProLiant OS pre-installed units will come with the partition required for TPM deployment.

NOTE: The TPM key is unique to every TPM deployed server and must be retained. Misplacing or losing the key could result in data loss.



Standard Features

Server Power Cords

One 6' Highline (IEC-IEC) power cord ships standard

NOTE: HP ProLiant DL servers no longer ship standard with NEMA power cords (P/N 163719-002) that allow connection to 110V US wall outlets in a home or office. ProLiant DL servers are primarily connected to PDU's in data center racks so they now ship standard with only a PDU power cord (416151-B21). If a user wishes to power a ProLiant DL server using a 110V receptacle (NEMA-15), the NEMA power cord (P/N 227099-001) must be ordered separately.

If customers require a power cord, they can check the power cord matrix for the appropriate cord. Please see the following power cord matrix: <http://www.hp.com/go/powercordmatrix>

NOTE: Rack models ship standard with an IEC cable.

UPS and PDU Power Cord Matrix

Please see the UPS and PDU cable matrix's on the HP Power Protection and Management page. Under Power Cords, click on the "HP Power Cord Matrix" link. That link will list cable descriptions, requirements, and specifications for UPS and PDU units. Please see the following link:

www.hp.com/products/powercords.

Power Supply

HP has a new design for ProLiant power. The new Common Slot Power Supply bay. This design provides the customer with commonality in power supplies across multiple platforms to save on the cost of spares and allows HP to offer multiple power solutions to fit the customers' needs. Many HP ProLiant Servers come with Common Slot, High Efficiency and Right-Size Power Supplies. Common Slot (CS) designates commonality of the power supply across multiple ProLiant servers. HP's new Common Slot power supplies are designed for highest efficiency to provide power efficiency without degrading performance of the ProLiant. Power Supplies will have efficiency ratings up to 92%. There are three Right Size power options available, depending on the configuration of your server. To make sure you select the correct power supply to meet your configuration, we suggest that you use the HP Power Advisor to decide the "Right-Size" for your configuration. All HP Common Slot power sources are UL, CE Mark Compliant, Hot Plug and Redundant.

Common Slot ProLiant

It is highly recommended that you use the HP Power Advisor in defining the "Right-Size" power supply for your needs. HP offers Power Supply Options:

- 460Watts, Common Slot, 92% Efficiency
- 750Watts, Common Slot, 92% Efficiency
- 460Watts, Common Slot, 94% Efficiency
- 750Watts, Common Slot, 94% Efficiency

HP's ProLiant Common Slot Power supplies (460W & 750W) meet multiple Energy Efficiency Initiatives. Climate Savers Computing Initiative GOLD, ECOS Consulting 80PLUS GOLD and plans on offering models that meet the Energy Star for Server requirements when they are published.

HP's ProLiant Common Slot Power supplies (1200W) meet multiple Energy Efficiency Initiatives. Climate Savers Computing Initiative Bronze, ECOS Consulting 80PLUS Bronze Power Supply requirements.

Redundant Power: Optional (1 + 1 or n+n redundant) power supplies can be purchased through power supply option kits.



Standard Features

System Fans 4 system fans ship standard; Non-hot plug, Non-redundant
NOTE: Redundant fan kit (P/N 516009-B21) available for purchase.

Operating Systems and Virtualization Software Support for ProLiant Servers [Microsoft Windows Server](#)
[Microsoft Windows Server Hyper-V](#)
[Red Hat Enterprise Linux \(RHEL\)](#)
[SUSE Linux Enterprise Server \(SLES\)](#)
[VMware ESX Server](#)
[Citrix Essentials for XenServer \(Retail\)](#)
NOTE: For more information on HP's Certified and Supported ProLiant Servers for OS and Virtualization Software and latest listing of software drivers available for your server, please visit our Support Matrix at: <http://www.hp.com/go/supportos> and our driver download page <http://www.hp.com/support/DL180G6>

Rack Airflow Requirements **Rack 10000 G2 series Cabinets**
The increasing power of new high-performance processor technology requires increased cooling efficiency for rack-mounted servers. The 10000 G2 Series Racks provide enhanced airflow for maximum cooling, allowing these racks to be fully loaded with servers using the latest processors.

CAUTION: If a third-party rack is used, observe the following additional requirements to ensure adequate airflow and to prevent damage to the equipment:

Front and rear doors: If your 42U server rack includes closing front and rear doors, you must allow 830 square inches (5,350 sq cm) of hole evenly distributed from top to bottom to permit adequate airflow (equivalent to the required 64 percent open area for ventilation).

Side: The clearance between the installed rack component and the side panels of the rack must be a minimum of 2.75 inches (7 cm).

CAUTION: Always use blanking panels to fill all remaining empty front panel U-spaces in the rack. This arrangement ensures proper airflow. Using a rack without blanking panels results in improper cooling that can lead to thermal damage.

Rack Kit HP ProLiant DL180 rack models have fixed rails which provide support for racks with round mounting holes and tool-free support for racks with square mounting holes (including Compaq/HP 7000, 9000, 10000 and HP series), with an adjustment range of 26" - 36".

Telco Rack Support Support for all 2 and 4 post Telco racks and threaded hole racks requires an additional option kit from Rack Solutions. The Rack Solutions brackets can be purchased at: www.hp.com/go/rackandpower.



Standard Features

Factory Express Portfolio for Servers and Storage

HP Factory Express offers configuration, customization, integration and deployment services for HP servers and storage products. Customers can choose how their factory solutions are built, tested, integrated, shipped and deployed.

Factory Express offers service packages for simple configuration, racking, installation, complex configuration and design services as well as individual factory services, such as image loading, asset tagging, and custom packaging. HP products supported through Factory Express include a wide array of servers and storage: HP Integrity, HP ProLiant, HP ProLiant Server Blades, HP BladeSystem, HP 9000 servers as well as the MSAxxx, VA7xxx, EVA, XP, rackable tape libraries and configurable network switches.

For more information on Factory Express services for your specific server model please contact your sales representative or go to: <http://www.hp.com/go/factory-express>.

HP Enterprise Configurator

The HP eConfigure Enterprise Configurator now provides factory default racking for our HP hardware portfolio. This approach is aligned with our strategic direction to meet the needs and expectations of our valued customers. If you require "custom" rack configuration, please contact HP's Customer Business Center or an Authorized Partner for assistance. <http://www.hp.com/products/configurator>.

HPC Interconnect

NOTE: High Performance Computing (HPC) interconnect technologies are available for this server under the Cluster Platform product portfolio. These high-speed interconnects are fully supported by HP when they are part of these configure to order clusters. Solutions can be defined with a lot of flexibility with the help of configuration tools. Please visit the following URL to configure HPC Clusters with InfiniBand or Gigabit Ethernet: <http://www.hp.com/techservers/clusters/ucp/index.html>

InfiniBand

PCI-Express Generation 2 adapters

Service and Support

HP services provide total care and support expertise with committed response designed to meet your IT and business needs.

HP Care Pack services include coverage for the HP branded hardware options qualified for the server, purchased at the same time or afterward, internal to the enclosure, as well as 22" and smaller external monitors and tower UPS options up to 3kVA; these items will be covered at the same service level and for the same coverage period as the server. Coverage of UPS Battery is not included, standard warranty terms & conditions apply. For servers or storage systems installed within a rack, service also covers all HP qualified rack options installed within the same rack.

To fully capitalize on your HP ProLiant servers' capabilities requires a service partner who thoroughly understands your server technology and systems environment. HP Services, an industry leader in provision of multi vender support solutions provides a range of support services designed to meet the varying needs of business. Whether an SMB or large global corporation HP has a ProLiant server support offer to help you speedily deploy and maximize system uptime.

Recommended Service - Simplify ProLiant solution implementation, maintenance and management.

- **Support Service** - 3-Year 24x7 4 hr Response service support coverage
- **Deployment Service** - Hardware Installation

Enhanced Service - Optimize service level to increase IT performance and availability



Standard Features

- **Support Service** - 3-Year 24x7 24 hr Call to repair service support coverage
- **Support-** - 3-Year 24x7 6 hr Call to repair service support coverage
- **Support Plus** - 24x7 4 hr Response service support including OS coverage

Installation of a ProLiant server and Microsoft or Linux O/S per the Customer Description and/or Data Sheet. To be delivered on a scheduled basis 8am-5pm, M-F, excl. HP holidays.

For a complete listing of service offerings and information visit:

<http://www.hp.com/services/proliantservices>

<http://h20219.www2.hp.com/services/us/en/warranty/carepack-servers-proliant.html>



Models

Four Drive Serial ATA (SATA) Models

NOTE: Upgrading from 4 Non-Hot Plug SATA hard drives to 4 Hot Plug SATA/SAS hard drives requires the addition of a storage controller and one Internal mini-SAS cable (P/N 496013-B21).

NOTE: Upgrading to 8 Hot Plug SATA/SAS hard drives requires the addition of a HP 2U G6 8HDD LFF DL18X KIT (P/N 506924-B21), storage controller (Smart Array P410/256MB recommended), and two Internal SATA/SAS cables (mini-SAS cable (P/N 496013-B21).

HP DL180G6 E5504 2x2GB 4LFF 487502-001	Processor	Intel® Xeon® Processor E5504 (2.00 GHz, 4MB L3 Cache, 80W, DDR3-800)
	Cache Memory	4MB shared L3 cache (E5504)
	Memory	4GB (2 x 2GB) PC3-10600E (UDIMM)
	Network Controller	HP NC362i Integrated Dual Port Gigabit Server Adapter
	Storage Controller	Embedded SATA Raid Standard RAID 0,1,10
	Hard Drive	1x 160GB Hot Plug SATA NOTE: Hot-plug functionality requires the addition of a Smart Array controller.
	Internal Storage	8.0TB (4 x 2TB Hot Plug 3.5" SATA hard drives), Maximum 8.0TB (4 x 2TB Hot Plug 3.5" SAS hard drives), Maximum
	Optical Drive	None ship standard
	Power Supply	460W common slot, high efficiency power supply
	Form Factor	Rack (2U)

HP DL180G6 L5520 2x2GB 4LFF 487506-001	Processor	Intel® Xeon® Processor L5520 (2.26 GHz, 8MB L3 Cache, 60W, DDR3-1066, HT, Turbo 1/1/2/2)
	Cache Memory	8MB shared L3 cache (L5520)
	Memory	4GB (2 x 2GB) PC3-10600E (UDIMM)
	Network Controller	HP NC362i Integrated Dual Port Gigabit Server Adapter
	Storage Controller	Embedded SATA Raid Standard RAID 0,1,10
	Hard Drive	1x 160GB Hot Plug SATA NOTE: Hot-plug functionality requires the addition of a Smart Array controller.
	Internal Storage	8.0TB (4 x 2TB Hot Plug 3.5" SATA hard drives), Maximum 8.0TB (4 x 2TB Hot Plug 3.5" SAS hard drives), Maximum
	Optical Drive	None ship standard
	Power Supply	460W common slot, high efficiency power supply
	Form Factor	Rack (2U)

HP DL180G6 E5506 1x4GB 4LFF 590637-001	Processor	Intel® Xeon® Processor E5506 (2.13 GHz, 4MB L3 Cache, 80W, DDR3-800)
	Cache Memory	4MB shared L3 cache (E5506)
	Memory	4GB (1 x 4GB) PC3-10600R-9 (RDIMM)
	Network Controller	HP NC362i Integrated Dual Port Gigabit Server Adapter
	Storage Controller	HP Smart Array B110i SATA RAID Controller
	Hard Drive	None Ship Standard



Models

Internal Storage	8.0TB (4 x 2TB Hot Plug 3.5" SATA hard drives), Maximum 8.0TB (4 x 2TB Hot Plug 3.5" SAS hard drives), Maximum
Optical Drive	None ship standard
Power Supply	460W common slot, high efficiency power supply
Form Factor	Rack (2U)

Eight Drive Serial ATA (SATA) Models

NOTE: Supports up to 8 Hot Plug SATA or SAS Hard Drives.

HP DL180G6 E5620 2x4GB 8LFF 590638-001	Processor	Intel® Xeon® Processor E5620 (2.4 GHz, 12MB L3 Cache, 80W, DDR3-1066, HT, Turbo 1/1/2/2)
	Cache Memory	8MB shared L3 cache
	Memory	8GB (2 x 4GB) PC3-10600R-9 (RDIMM)
	Network Controller	HP NC362i Integrated Dual Port Gigabit Server Adapter
	Storage Controller	HP Smart Array P410/256MB BBWC Controller (RAID 0/1/1+0/5/5+0) NOTE: Smart Array Advanced Pack License Key upgrade (P/N 516471-B21) is required to enable RAID 6, 6+0
	Hard Drive	None ship standard
	Internal Storage	16.0TB (8 x 2TB Hot Plug 3.5" SATA hard drives), Maximum 16.0TB (8 x 2TB Hot Plug 3.5" SAS hard drives), Maximum
	Optical Drive	None ship standard
	Power Supply	460W common slot, high efficiency power supply
	Form Factor	Rack (2U)

HP DL180G6 E5520 3x2GB 8LFF 487503-001	Processor	Intel® Xeon® Processor E5520 (2.26 GHz, 8MB L3 Cache, 80W, DDR3-1066, HT, Turbo 1/1/2/2)
	Cache Memory	8MB shared L3 cache
	Memory	6GB (3 x 2GB) PC3-10600E (UDIMM)
	Network Controller	HP NC362i Integrated Dual Port Gigabit Server Adapter
	Storage Controller	HP Smart Array P410 /256MB Controller (RAID 0/1/1+0/5/5+0) NOTE: A minimum of 256 MB cache, battery kit, and Smart Array Advanced Pack License Key upgrade (P/N 516471-B21) is required to enable RAID 6, 6+0
	Hard Drive	None ship standard
	Internal Storage	16.0TB (8 x 2TB Hot Plug 3.5" SATA hard drives), Maximum 16.0TB (8 x 2TB Hot Plug 3.5" SAS hard drives), Maximum
	Optical Drive	None ship standard
	Power Supply	460W common slot, high efficiency power supply
	Form Factor	Rack (2U)

HP DL180G6 L5630 1x4 GB 8LFF 590636-001	Processor	Intel® Xeon® Processor L5630 (2.13 GHz, 12M L3 Cache, 40W, DDR3-1066, HT, Turbo 1/1/2/2)
	Cache Memory	12MB shared L3 cache
	Memory	4GB (1 x 4GB) PC3L-10600R-9 (RDIMM)



Models

Network Controller	HP NC362i Integrated Dual Port Gigabit Server Adapter
Storage Controller	HP Smart Array P410 /256MB Controller (RAID 0/1/1+0/5/5+0) NOTE: A minimum of 256 MB cache, battery kit, and Smart Array Advanced Pack License Key upgrade (P/N 516471-B21) is required to enable RAID 6, 6+0
Hard Drive	None ship standard
Internal Storage	16.0TB (8 x 2TB Hot Plug 3.5" SATA hard drives), Maximum 16.0TB (8 x 2TB Hot Plug 3.5" SAS hard drives), Maximum
Optical Drive	None ship standard
Power Supply	460W common slot, high efficiency Platinum power supply
Form Factor	Rack (2U)

Twelve Drive Serial ATA (SATA) Models

NOTE: Internal Storage expandable to 14 SAS/SATA drives with 2 Rear Drive Option Kit (P/N 488234-B21)

HP DL180G6 E5620 2x4GB 12LFF US 590639-001	Processor	Intel® Xeon® Processor E5620 (2.4 GHz, 12MB L3 Cache, 80W, DDR3-1066, HT, Turbo 1/1/2/2)
	Cache Memory	12MB shared L3 cache
	Memory	8GB (2 x 4GB) PC3-10600R-9 (RDIMM)
	Network Controller	HP NC362i Integrated Dual Port Gigabit Server Adapter
	Storage Controller	HP Smart Array P212 /256MB BBWC Controller (RAID 0/1/1+0/5/5+0) NOTE: Smart Array Advanced Pack License Key upgrade (P/N 516471-B21) is required to enable RAID 6, 6+0
	Hard Drive	None ship standard (up to 12 Hot Plug SATA or SAS drives supported)
	Internal Storage	24.0TB (12 x 2TB Hot Plug 3.5" SATA hard drives), Maximum 24.0TB (12 x 2TB Hot Plug 3.5" SAS hard drives), Maximum NOTE: Internal Storage expandable to 14 SAS/SATA drives with 2 Rear Drive Option Kit (P/N 488234-B21)
	Optical Drive	None ship standard
	Power Supply	750W common slot, high efficiency power supply
	Form Factor	Rack (2U)

HP DL180G6 E5540 6x2GB 12LFF US 487507-001	Processor	(2) Intel® Xeon® Processor E5540 (2.53 GHz, 8MB L3 Cache, 80W, DDR3-1066, HT, Turbo 1/1/2/2)
	Cache Memory	8MB shared L3 cache
	Memory	12GB (6 x 2GB) PC3-10600R (RDIMM)
	Network Controller	HP NC362i Integrated Dual Port Gigabit Server Adapter
	Storage Controller	HP Smart Array P212 /256MB Controller (RAID 0/1/1+0/5/5+0) NOTE: The minimum of 256 MB cache, battery kit, and Smart Array Advanced Pack License Key upgrade (P/N 516471-B21) is required to enable RAID 6, 6+0
	Hard Drive	None ship standard (up to 12 Hot Plug SATA or SAS drives supported)



Models

Internal Storage	24.0TB (12 x 2TB Hot Plug 3.5" SATA hard drives), Maximum 24.0TB (12 x 2TB Hot Plug 3.5" SAS hard drives), Maximum NOTE: Internal Storage expandable to 14 SAS/SATA drives with 2 Rear Drive Option Kit (P/N 488234-B21)
Optical Drive	None ship standard
Power Supply	750W common slot, high efficiency power supply
Form Factor	Rack (2U)

HP DL180G6 E5520 3x2GB 12LFF 487508-001	Processor	Intel® Xeon® Processor E5520 (2.26 GHz, 8MB L3 Cache, 80W, DDR3-1066, HT, Turbo 1/1/2/2)
	Cache Memory	8MB shared L3 cache
	Memory	6GB (3 x 2GB) PC3-10600E (UDIMM)
	Network Controller	HP NC362i Integrated Dual Port Gigabit Server Adapter
	Storage Controller	HP Smart Array P212 /256MB Controller (RAID 0/1/1+0/5/5+0) NOTE: The minimum of 256 MB cache, battery kit, and Smart Array Advanced Pack License Key upgrade (P/N 516471-B21) is required to enable RAID 6, 6+0
	Hard Drive	None ship standard (up to 12 Hot Plug SATA or SAS drives supported)
	Internal Storage	24.0TB (12 x 2TB Hot Plug 3.5" SATA hard drives), Maximum 24.0TB (12 x 2TB Hot Plug 3.5" SAS hard drives), Maximum NOTE: Internal Storage expandable to 14 SAS/SATA drives with 2 Rear Drive Option Kit (P/N 488234-B21)
	Optical Drive	None ship standard
	Power Supply	750W common slot, high efficiency power supply
	Form Factor	Rack (2U)

Twenty Five Drive SAS Models

HP DL180G6 X5650 4x4GB 25SFF 590640-001	Processor	(2) Intel® Xeon® Processor X5650 (2.66 GHz, 12MB L3 Cache, 95W, DDR3-1333, HT, Turbo 2/2/3/3)
	Cache Memory	12MB shared L3 cache
	Memory	16GB (4 x 4GB) PC3-10600R-9 (RDIMM)
	Network Controller	HP NC362i Integrated Dual Port Gigabit Server Adapter
	Storage Controller	HP Smart Array P410/256MB BBWC Controller (RAID 0/1/1+0/5/5+0) NOTE: Smart Array Advanced Pack License Key upgrade (P/N 516471-B21) is required to enable RAID 6, 6+0
	Hard Drive	None Ship Standard
	Internal Storage	12.5TB (25 x 500GB Hot Plug 2.5" SATA hard drives), Maximum 12.5TB (25 x 500GB Hot Plug 2.5" SAS hard drives), Maximum
	Optical Drive	None ship standard
	Power Supply	750 W common slot ,power supply
	Form Factor	Rack (2U)



Smart Buys

The ProLiant Smart Buy program offers a collection of promotional server and option products that are configured with SMB in mind, offered at discounted prices, and positioned for quick delivery. Smart Buy server offers are available for a limited time only.

S-BUY DL180G6 E5504 2GB 8LFF 532074-005	Processor(s)	(1) Intel® Xeon® processor E5504 (2.00GHz, 80W, DDR3-800)
	Cache Memory	4MB Level 3 cache
	Memory	HP 2GB UDIMM (1x2GB) 2Rx8 PC3-10600E-9 Kit
	Network Controller	HP NC362i Integrated Dual Port Gigabit Server Adapter
	Storage Controller	HP Smart Array P410/256MB Controller (RAID 0/1/1+0/5/5+0)
	Hard Drive	None included, supports up to 8LFF
	Internal Storage	14.0TB (14 x 1TB Hot Plug 3.5" SATA hard drives), Maximum 14.0TB (14 x 1TB Hot Plug 3.5" SAS hard drives), Maximum
	Optical Drive	HP Slim SATA DVD RW Drive
	Power Supply	HP 750W CS HE Gold Power Supply
	Form Factor	Rack (2U), (3.5 in./8.89cm)

S-BUY DL180G6 E5520 4GB 8LFF 532075-005	Processor(s)	(1) Intel® Xeon® processor E5520 (2.26GHz, 80W, DDR3-1066)
	Cache Memory	8MB Level 3 cache
	Memory	4GB UDIMM (2x2) (2x HP 2GB 2Rx8 PC3-10600E-9 Kit)
	Network Controller	HP NC362i Integrated Dual Port Gigabit Server Adapter
	Storage Controller	HP Smart Array P410/256MB Controller (RAID 0/1/1+0/5/5+0)
	Hard Drive	None included, supports up to 8LFF
	Internal Storage	14.0TB (14 x 1TB Hot Plug 3.5" SATA hard drives), Maximum 14.0TB (14 x 1TB Hot Plug 3.5" SAS hard drives), Maximum
	Optical Drive	HP Slim SATA DVD RW Drive
	Power Supply	HP 750W CS HE Gold Power Supply
	Form Factor	Rack (2U), (3.5 in./8.89cm)

S-BUY DL180G6 E5520 4GB 12LFF 532072-005	Processor(s)	(2) Intel® Xeon® processor E5520 (2.26GHz, 80W, DDR3-1066)
	Cache Memory	8MB Level 3 cache
	Memory	4GB RDIMM (2x2)(2x HP 2GB 2Rx8 PC3-10600R-9 Kit)
	Network Controller	HP NC362i Integrated Dual Port Gigabit Server Adapter
	Storage Controller	HP Smart Array P410/256MB Controller (RAID 0/1/1+0/5/5+0)
	Hard Drive	None included, supports up to 12LFF
	Internal Storage	14.0TB (14 x 1TB Hot Plug 3.5" SATA hard drives), Maximum 14.0TB (14 x 1TB Hot Plug 3.5" SAS hard drives), Maximum
	Optical Drive	HP Slim SATA DVD RW Drive
	Power Supply	(2) HP 750W CS HE Gold Power Supply
	Form Factor	Rack (2U), (3.5 in./8.89cm)



Smart Buys

S-BUY DL180G6 E5540 8GB 8LFF 532078-005	Processor(s)	(2) Intel® Xeon® processor E5540 (2.53GHz, 80W, DDR3-1066)
	Cache Memory	8MB Level 3 cache
	Memory	8GB RDIMM (4x2) (2x HP 4GB 2Rx4 PC3-10600R-9)
	Network Controller	HP NC362i Integrated Dual Port Gigabit Server Adapter
	Storage Controller	HP Smart Array P410/256MB Controller (RAID 0/1/1+0/5/5+0)
	Hard Drive	None included, supports up to 8LFF
	Internal Storage	14.0TB (14 x 1TB Hot Plug 3.5" SATA hard drives), Maximum 14.0TB (14 x 1TB Hot Plug 3.5" SAS hard drives), Maximum
	Optical Drive	HP Slim SATA DVD RW Drive
	Power Supply	2x HP 750W CS HE Gold Power Supply
	Form Factor	Rack (2U), (3.5 in./8.89cm)

S-BUY DL180G6 E5506 4GB LFF 605666-005	Processor(s)	(1) Intel® Xeon® Processor E5506 (2.13 GHz, 80W, DDR3-800)
	Cache Memory	4MB L3 Cache
	Memory	4GB UDIMM (2x HP 2GB 2Rx8 PC3-10600E-9)
	Network Controller	HP NC362i Integrated Dual Port Gigabit Server Adapter
	Storage Controller	HP Smart Array P410/256 MB w/ Battery
	Hard Drive	None included, supports up to 8 LFF
	Optical Drive	HP Slim SATA DVD RW Drive
	Power Supply	HP 460W CS HE Power Supply
	Form Factor	Rack (2U), (3.5 in./8.89cm)

S-BUY DL180G6 E5650 12GB 8LFF 605665-005	Processor(s)	(2) Intel® Xeon® Processor X5650 (2.66 GHz, 95W, DDR3-1333, HT, Turbo 2/2/2/2/3/3)
	Cache Memory	12MB L3 Cache
	Memory	12GB RDIMM (6x HP 2GB 2Rx8 PC3-10600R-9)
	Network Controller	HP NC362i Integrated Dual Port Gigabit Server Adapter
	Storage Controller	HP Smart Array P410/512MB with FBWC
	Hard Drive	None included, supports up to 8 LFF
	Optical Drive	HP Slim SATA DVD RW Drive
	Power Supply	HP 750W CS HE Power Supply
	Form Factor	Rack (2U), (3.5 in./8.89cm)



Smart Buys

S-BUY DL180G6 E5660 24GB 12LFF 605664-005	Processor(s)	(2) Intel® Xeon® Processor X5660 (2.80 GHz, 95W, DDR3-1333, HT, Turbo 2/2/2/2/3/3)
	Cache Memory	12MB L3 Cache
	Memory	24GB RDIMM (6x HP 4GB 2Rx4 PC3-10600R-9)
	Network Controller	HP NC362i Integrated Dual Port Gigabit Server Adapter
	Storage Controller	HP Smart Array P410/1G with FBWC
	Hard Drive	None included, supports up to 12 LFF
	Optical Drive	None included
	Power Supply	2x HP 750W CS HE Power Supply
	Form Factor	Rack (2U), (3.5 in./8.89cm)



Configuration Information - Factory Integrated Models

NOTE: This section lists some of the steps required to configure a Factory Integrated Model. To ensure only valid configurations are ordered, HP recommends the use of an HP approved configurator. Contact your local sales representative for information on CTO product offerings and requirements.

NOTE: HP does not allow factory integration of options into standard models listed above. Configure-to-order servers must start with a CTO Chassis.

NOTE: FIO indicates that this option is a Factory Installable Option.

Step 1: Base Configuration (choose one of the following configurable models)

Hot Plug LFF Model

HP ProLiant DL180 G6 Hot Plug SAS/SATA Rack CTO Chassis

507168-B21

Factory Integrated Model ships with:

HP NC362i Integrated Dual Port Gigabit Server Adapter

Three available PCI-Express slots:

Slot 1: x16 low-profile/half-height slot

Optional Slots 2, 3, & 4: 2x8 full-height/full length, 1x4 full-height/full length (Recommended)

NOTE: Optional PCI-X option kit includes: Slot 1 and 2: full-length/full-height PCI-X 100. PCI-X slots are 64 bits; 133 MHz capable if only one PCI-X card is installed in the server.

NOTE: Optional FL/FH option kit includes: Slot 1: full length/full height slot.

One HP SATA Embedded Cable Kit

One Highline IEC Power Cord

4 Non-Hot Plug Fans

Rack (2U), (3.5 in/8.89 cm)

Tool-less Fixed Rails

Hot Plug SFF Model

HP ProLiant DL180 G6 Hot Plug SAS/SATA Rack CTO Chassis

594911-B21

Factory Integrated Model ships with:

HP NC362i Integrated Dual Port Gigabit Server Adapter

Three available PCI-Express slots:

Slot 1: x16 low-profile/half-height slot

Optional Slots 2, 3, & 4: 2x8 full-height/full length, 1x4 full-height/full length (Recommended)

NOTE: Optional PCI-X option kit includes: Slot 1 and 2: full-length/full-height PCI-X 100. PCI-X slots are 64 bits; 133 MHz capable if only one PCI-X card is installed in the server.

NOTE: Optional FL/FH option kit includes: Slot 1: full length/full height slot.

One HP SATA Embedded Cable Kit

One Highline IEC Power Cord

4 Non-Hot Plug Fans

Rack (2U), (3.5 in/8.89 cm)



Configuration Information - Factory Integrated Models

Step 2: Choose Required Options (only one of the following from each list unless otherwise noted)

HP Processors

NOTE: If 2 processors are desired, select one xxxxx-L21 and one xxxxxB21.

Six-Core Processors

Intel® Xeon® Processor X5670 (2.93 GHz, 12MB L3 Cache, 95W, DDR3-1333, HT, Turbo 2/2/2/2/3/3), FIO 590619-L21

Intel® Xeon® Processor X5660 (2.80 GHz, 12MB L3 Cache, 95W, DDR3-1333, HT, Turbo 2/2/2/2/3/3), FIO 590617-L21

Intel® Xeon® Processor X5650 (2.66 GHz, 12MB L3 Cache, 95W, DDR3-1333, HT, Turbo 2/2/2/2/3/3), FIO 590615-L21

Intel® Xeon® Processor L5640 (2.26GHz, 12MB L3 Cache , 60W, DDR3-1333, HT, Turbo 2/2/3/3/4/4), FIO 590607-L21

Quad-Core Processors

Intel® Xeon® Processor E5640 (2.66 GHz, 12MB L3 Cache, 80W, DDR3-1066, HT, Turbo 1/1/2/2), FIO 590613-L21

Intel® Xeon® Processor E5630 (2.53 GHz, 12MB L3 Cache, 80W, DDR3-1066, HT, Turbo 1/1/2/2), FIO 590611-L21

Intel® Xeon® Processor E5620 (2.40 GHz, 12MB L3 Cache, 80W, DDR3-1066, HT, Turbo 1/1/2/2), FIO 590609-L21

Intel® Xeon® Processor E5540 (2.53 GHz, 8MB L3 Cache, 80W, DDR3-1066, HT, Turbo 1/1/2/2), FIO 508343-L21

Intel® Xeon® Processor E5520 (2.26 GHz, 8MB L3 Cache, 80W, DDR3-1066, HT, Turbo 1/1/2/2), FIO 508342-L21

Intel® Xeon® Processor E5506 (2.13 GHz, 4MB L3 Cache, 80W, DDR3-800), FIO 573909-L21

Intel® Xeon® Processor E5504 (2.00 GHz, 4MB L3 Cache, 80W, DDR3-800), FIO 508341-L21

Intel® Xeon® Processor L5630 (2.13 GHz, 12MB L3 Cache, 40W, DDR3-1066, HT, Turbo 1/1/2/2), FIO 590605-L21

Intel® Xeon® Processor L5520 (2.26 GHz, 8MB L3 Cache, 60W, DDR3-1066, HT, Turbo 1/1/2/2), FIO 508344-L21

Dual-Core Processor

Intel® Xeon® Processor E5503 (2.00 GHz, 4MB L3 Cache, 80W, DDR3-800), FIO 594118-L21



Configuration Information - Factory Integrated Models

HP Memory	Registered RDIMMs	
	HP 2GB (1x2GB) Dual Rank x8 PC3-10600 (DDR3-1333) Registered CAS-9 Memory Kit	500656-B21
	HP 4GB (1x4GB) Dual Rank x4 PC3-10600 (DDR3-1333) Registered CAS-9 Memory Kit	500658-B21
	HP 4GB (1x4GB) Quad Rank x8 PC3-8500 (DDR3-1066) Registered CAS-7 Low Power Memory Kit	500660-B21
	HP 4GB (1x4GB) Single Rank x4 PC3-10600 (DDR3-1333) Registered CAS-9 Memory Kit	593339-B21
	HP 8GB (1x8GB) Dual Rank x4 PC3-8500 (DDR3-1066) Registered CAS-7 Memory Kit	516423-B21
	HP 16GB (1x16GB) Quad Rank x4 PC3-8500 (DDR3-1066) Registered CAS-7 Memory Kit	500666-B21
	Unregistered with ECC UDIMMs	
	HP 1GB (1x1GB) Single Rank x8 PC3-10600 (DDR3-1333) Unbuffered CAS-9 Memory Kit	500668-B21
	HP 2GB (1x2GB) Dual Rank x8 PC3-10600 (DDR3-1333) Unbuffered CAS-9 Memory Kit	500670-B21
	HP 4GB (1x4GB) Dual Rank x8 PC3-10600 (DDR3-1333) Unbuffered CAS-9 Memory Kit	500672-B21
	<p>NOTE: All DDR3 memory option kits consist of one DIMM per kit. For detailed memory configuration rules and guidelines, please use the Online DDR3 Memory Configuration Tool: www.hp.com/go/ddr3memory-configurator.</p> <p>NOTE: Kits described as LP include Low Power DIMMs. For more information on ProLiant Energy Efficient Features, see: http://h18004.www1.hp.com/products/servers/platforms/energyefficient/</p> <p>NOTE: There is a maximum support limitation of 8 ranks per memory channel (maximum of 2 quad rank DIMMs per channel)</p>	

HP Drive Cage Options	HP 2U G6 4HDD CAGE Kit, FIO	506926-B21
	HP 2U G6 8HDD CAGE Kit, FIO	506927-B21
	HP 2U G6 12HDD CAGE Kit, FIO	506928-B21
	HP 2U 8SFF HDD CAGE & BKPLN G6 FIO	534958-B21
	HP 2U G6 25 SFF CAGE FIO Kit	516011-B21
	<p>NOTE: Selection of the 25 SFF drive cage requires an HP Smart Array P410 or P812 controller.</p>	
	HP 2U Rear 2-Bay LFF Hard Drive Kit	488234-B21



Configuration Information - Factory Integrated Models

HP Power Supplies

NOTE: Many HP ProLiant Servers now offer new power options, including Common Slot Power Supplies. These power supplies come in multiple power ratings and higher efficiency levels to offer the Right Size solution to fit your configuration. This provides improved power delivery and the advantage of reclaiming lost power. Prior to making a power supply selection it is "highly recommended" that the "HP Power Advisor" is run to determine the right size power supply for your server configuration. The HP Power Advisor is located at: www.hp.com/go/proliant-energy-efficient

HP 460W CS HE Power Supply Kit	503296-B21
HP 750W CS HE Power Supply Kit	512327-B21
HP 460W CS Platinum Power Supply Kit	593188-B21
HP 750W CS Platinum Power Supply Kit	593831-B21

CAUTION: Optional Power Supplies used for Redundancy "MUST" match the original supplied power supply. Upgrades for more power headroom, when replacing the original power supplies must match if purchased for redundancy. Option Kits contain optional power supply, an IEC power cable and PDU IEC cables. In ProLiant Servers that have more than one power slot (bay), same size power supplies are recommended. If non-matched power supplies are inserted you will get errors and operation will fail.

Step 3: Choose Additional Factory Integratable Options (only one from each list unless otherwise noted)

HP Storage Controller	HP P410/ZM FIO Smart Array Controller	462860-B21
	HP Smart Array P411/256 MB w/ Battery FIO	491193-B21
	HP Smart Array P410/256 MB w/ Battery FIO	491195-B21
	HP Smart Array P212/256 MB w/ Battery FIO	491191-B21

Step 4: Choose Additional Options for Factory Integration

NOTE: For additional options, please refer to the "Core Options" and "Additional Options" sections below.



Core Options

NOTE: Some options may not be available for factory integration. Please contact an HP sales representative for additional information.

HP Unique Options	HP DL180G6 Redundant Fan Kit	516009-B21
	HP DL180G6 Rear DVD Cage Kit	515826-B21
	NOTE: The x16 low profile slot is not available when this option is configured.	
	HP Dedicated Management Port Kit	516006-B21
	HP Internal USB Cable G6 Kit	536769-B21
	NOTE: This option required to connect a USB device internally.	
	HP DL180 G6 3PCI-E x8, Full Height Kit	577668-B21
	NOTE: This option provides two x8 full-length/full-height slots as well as an additional x8 (x4 electrically) slot. This allows the DL180G6 to have a maximum of four (4) slots.	
	HP PCI-X Full Riser DL180 G6 Kit	488230-B21
	NOTE: This option kit replaces the three internal expansion slots listed in step 1 base configuration.	
	NOTE: Optional PCI-X option kit includes: Slot 1: full-length/full-height PCI-X 100; Slot 2: Full length/Full-height PCI-X 100. PCI-X slots are 64 bits; 133 MHz capable if only one PCI-X card is installed in the server.	
	HP 2U G6 8HDD LFF DL18X KIT	506924-B21
	NOTE: Upgrading to 8 Hot Plug SATA/SAS hard drives requires the addition of a storage controller (Smart Array P410/256MB recommended), two Internal ATA/SAS cables, (mini-SAS cable (496013-B21)).	
	HP DL180G6 Rear 2LFF Kit	488234-B21
	NOTE: Supports 12 hard drive server models only. Hard Drives not included.	
	NOTE: This option replaces the 2 Full Length, Full Height x8 PCIe slots.	
	HP KIT 2PCI-E x8, FH, DL180G6	497145-B21
	NOTE: This option provides 2 Full Length, Full Height x8 PCIe slots.	
	HP KIT PCI-E x16, DL180G6	497143-B21
	NOTE: This option replaces the 2 Full Length, Full Height x8 PCIe slots.	

HP Processor

Six-Core Processors

Intel® Xeon® Processor X5670 (2.93 GHz, 12MB L3 Cache, 95W, DDR3-1333, HT, Turbo 2/2/2/2/3/3)	590619-B21
Intel® Xeon® Processor X5660 (2.80 GHz, 12MB L3 Cache, 95W, DDR3-1333, HT, Turbo 2/2/2/2/3/3)	590617-B21
Intel® Xeon® Processor X5650 (2.66 GHz, 12MB L3 Cache, 95W, DDR3-1333, HT, Turbo 2/2/2/2/3/3)	590615-B21
Intel® Xeon® Processor L5640 (2.26GHz, 12MB L3 Cache, 60W, DDR3-1333, HT, Turbo 2/2/3/3/4/4)	590607-B21

Quad-Core Processors

Intel® Xeon® Processor E5640 (2.66 GHz, 12MB L3 Cache, 80W, DDR3-1066, HT, Turbo 1/1/2/2)	590613-B21
Intel® Xeon® Processor E5630 (2.53 GHz, 12MB L3 Cache, 80W, DDR3-1066, HT, Turbo 1/1/2/2)	590611-B21
Intel® Xeon® Processor E5620 (2.40 GHz, 12MB L3 Cache, 80W, DDR3-1066, HT, Turbo 1/1/2/2)	590609-B21



Core Options

Intel® Xeon® Processor L5630 (2.13 GHz, 12MB L3 Cache, 40W, DDR3-1066, HT, Turbo 1/1/2/2/)	590605-B21
Intel® Xeon® Processor L5520 (2.26 GHz, 8MB L3 Cache, 60W, DDR3-1066, HT, Turbo 1/1/2/2/)	508344-B21
Intel® Xeon® Processor E5540 (2.53 GHz, 8MB L3 Cache, 80W, DDR3-1066, HT, Turbo 1/1/2/2/)	508343-B21
Intel® Xeon® Processor E5520 (2.26 GHz, 8MB L3 Cache, 80W, DDR3-1066, HT, Turbo 1/1/2/2/)	508342-B21
Intel® Xeon® Processor E5506 (2.13 GHz, 4MB L3 Cache, 80W, DDR3-800)	573909-B21
Intel® Xeon® Processor E5504 (2.00 GHz, 4MB L3 Cache, 80W, DDR3-800)	508341-B21

Two-Core Processors

Intel® Xeon® Processor E5503 (2.00 GHz, 4MB L3 Cache, 80W, DDR3-800)	594118-B21
--	------------

NOTE: HT indicates that the processor model supports Intel® Hyper-Threading Technology.

NOTE: Turbo indicates the maximum potential frequency increment when using Intel® Turbo Boost Technology, with 4, 3, 2, and 1 cores active.

NOTE: DDR3 speed is the maximum memory speed of the processor. Actual memory speed may depend on the quantity and type of DIMMs installed.

NOTE: For the Intel 5000 Series, the letter preceding the model number indicates the performance/wattage of the processor. "X" denotes High Performance/Wattage; "E" denotes Enterprise Performance/Wattage (Mainstream); and "L" denotes Lower Wattage.

HP Memory

Registered RDIMMs

HP 2GB (1x2GB) Dual Rank x8 PC3-10600 (DDR3-1333) Registered CAS-9 Memory Kit	500656-B21
HP 4GB (1x4GB) Dual Rank x4 PC3-10600 (DDR3-1333) Registered CAS-9 Memory Kit	500658-B21
HP 4GB (1x4GB) Quad Rank x8 PC3-8500 (DDR3-1066) Registered CAS-7 Low Power Memory Kit	500660-B21
HP 4GB (1x4GB) Single Rank x4 PC3-10600 (DDR3-1333) Registered CAS-9 Memory Kit	593339-B21
HP 8GB (1x8GB) Dual Rank x4 PC3-8500 (DDR3-1066) Registered CAS-7 Memory Kit	516423-B21
HP 16GB (1x16GB) Quad Rank x4 PC3-8500 (DDR3-1066) Registered CAS-7 Memory Kit	500666-B21
HP 4GB (1x4GB) Single Rank x4 PC3L-10600 (DDR3-1333) Registered CAS-9 Low Power Memory Kit	604504-B21
HP 8GB (1x8GB) Dual Rank x4 PC3L-10600 (DDR3-1333) Registered CAS-9 Low Power Memory Kit	604506-B21
HP 8GB (1x8GB) Dual Rank x4 PC3-10600 (DDR3-1333) Registered CAS-9 Memory Kit	500662-B21

Unregistered with ECC UDIMMs

HP 1GB (1x1GB) Single Rank x8 PC3-10600 (DDR3-1333) Unbuffered CAS-9 Memory Kit	500668-B21
---	------------



Core Options

HP 2GB (1x2GB) Dual Rank x8 PC3-10600 (DDR3-1333) Unbuffered CAS-9 Memory Kit 500670-B21

HP 4GB (1x4GB) Dual Rank x8 PC3-10600 (DDR3-1333) Unbuffered CAS-9 Memory Kit 500672-B21

NOTE: All DDR3 memory option kits consist of one DIMM per kit. For detailed memory configuration rules and guidelines, please use the Online DDR3 Memory Configuration Tool: www.hp.com/go/ddr3memory-configurator

NOTE: Kits described as LP include Low Power DIMMs. For more information on ProLiant Energy Efficient Features, see:

<http://h18004.www1.hp.com/products/servers/platforms/energyefficient/>

HP Optical Drives

HP Slim SATA DVD-ROM Optical Drive 481041-B21

HP Slim SATA DVDRW Optical Drive 481043-B21

NOTE: Optical drives can be installed in front, on 4 & 8 bay hard drive models.

NOTE: Optical drives can be installed in 12 and 25 drive model with the addition of rear option kit (P/N 515826-B21).

HP Hard Drives

NOTE: The components of a storage subsystem (e.g. the drive, the HBA/controller, and the server backplane) should operate at the same data transfer rate or the system bandwidth will be negotiated down to an acceptable level for all components.

NOTE: Hard drives have either a one year or three year warranty; refer to the specific hard drive QuickSpecs for details.

SAS Hot Plug SFF (2.5-inch) Enterprise (ENT) Drives

HP 300GB 6G SAS 10K rpm SFF (2.5-inch) Dual Port Enterprise 3yr Warranty Hard Drive 507127-B21

HP 146GB 6G SAS 15K rpm SFF (2.5-inch) Dual Port Enterprise 3yr Warranty Hard Drive 512547-B21

HP 146GB 6G SAS 10K rpm SFF (2.5-inch) Dual Port Enterprise 3yr Warranty Hard Drive 507125-B21

HP 72GB 6G SAS 15K rpm SFF (2.5-inch) Dual Port Enterprise 3yr Warranty Hard Drive 512545-B21

SAS Hot Plug LFF (3.5-inch) Enterprise (ENT) Drives

NOTE: 3G Hard Drives will operate at up to 3.0 Gb/s in 4 drive models that use the embedded controller.

HP 600GB 6G SAS 15K rpm LFF (3.5-inch) Dual Port Enterprise 3yr Warranty Hard Drive 516828-B21

HP 450GB 6G SAS 15K rpm LFF (3.5-inch) Dual Port Enterprise 3yr Warranty Hard Drive 516816-B21

HP 300GB 6G SAS 15K rpm LFF (3.5-inch) Dual Port Enterprise 3yr Warranty Hard Drive 516814-B21

NOTE: Please see the QuickSpecs for Technical Specifications and additional information:

http://h18000.www1.hp.com/products/quickspecs/12244_na/12244_na.html

NOTE: If selecting more than 4 hard drives or if using SAS hard drives, a Smart Array controller and two SAS/SATA cables (P/N 464830-B21) are required.

SAS Hot Plug SFF (2.5-inch) Midline (MDL) Drives



Core Options

HP 500GB 6G SAS 7.2K rpm SFF (2.5-inch) Dual Port Midline 1yr Warranty Hard Drive 507610-B21

SAS Hot Plug LFF (3.5-inch) Midline (MDL) Drives

NOTE: 3G Hard Drives will operate at up to 3.0 Gb/s in 4 drive models that use the embedded controller.

HP 2TB 6G SAS 7.2K rpm LFF (3.5-inch) Dual Port Midline 1yr Warranty Hard Drive 507616-B21

HP 1TB 6G SAS 7.2K rpm LFF (3.5-inch) Dual Port Midline 1yr Warranty Hard Drive 507614-B21

SATA Hot Plug SFF (2.5-inch) Midline (MDL) Drives

HP 500GB 3G SATA 7.2K rpm SFF (2.5-inch) Midline 1yr Warranty Hard Drive 507750-B21

HP 160GB 3G SATA 7.2K rpm SFF (2.5-inch) Midline 1yr Warranty Hard Drive 530888-B21

SATA Hot Plug LFF (3.5-inch) Midline (MDL) Drives

HP 2TB 3G SATA 7.2K rpm LFF (3.5-inch) Midline 1yr Warranty Hard Drive 507632-B21

HP 1TB 3G SATA 7.2K rpm LFF (3.5-inch) Midline 1yr Warranty Hard Drive 454146-B21

HP 500GB 3G SATA 7.2K rpm LFF (3.5-inch) Midline 1yr Warranty Hard Drive 458928-B21

SATA Hot Plug LFF (3.5-inch) Entry (ETY) Drives

HP 250GB 3G SATA 7.2K rpm LFF (3.5-inch) Entry 1yr Warranty Hard Drive 571230-B21

HP 160GB 3G SATA 7.2K rpm LFF (3.5-inch) Entry 1yr Warranty Hard Drive 458945-B21

NOTE: Please see the QuickSpecs for Technical Specifications and additional specifications:

http://h18000.www1.hp.com/products/quickspecs/13021_na/13021_na.html

SATA Hot Plug Midline (MDL) Solid State Drives

HP 60GB 3G SATA SFF (2.5-inch) Midline 1yr Warranty Solid State Drive 572071-B21

HP 120GB 3G SATA SFF (2.5-inch) Midline 1yr Warranty Solid State Drive 572073-B21

SATA Hot Plug 3.5" Midline (MDL) Solid State Drives

HP 60GB 3G SATA LFF (3.5-inch) Midline 1yr Warranty Solid State Drive 570761-B21

HP 120GB 3G SATA LFF (3.5-inch) Midline 1yr Warranty Solid State Drive 570763-B21

NOTE: Please see the QuickSpecs for Technical Specifications and additional information:

http://h18000.www1.hp.com/products/quickspecs/13415_na/13415_na.html



Core Options

HP Networking

Gigabit Ethernet Adapters

HP NC112T PCIe Gigabit Server Adapter	503746-B21
HP NC360T PCI Express Dual Port Gigabit Server Adapter	412648-B21
HP NC364T PCI Express Quad Port Gigabit Server Adapter	435508-B21
NOTE: Does not support Windows 2000.	
HP NC365T 4-port Ethernet Server Adapter	593722-B21
HP NC373F PCI Express Multifunction Gigabit Server Adapter	394793-B21
HP NC373T PCI Express Multifunction Gigabit Server Adapter	394791-B21
HP NC382T PCI Express Dual Port Multifunction Gigabit Server Adapter	458492-B21

10 Gigabit Ethernet Adapters

NOTE: No more than two 10GbE I/O devices are supported in a single ProLiant server.

NOTE: A minimum of two Gigabytes (2 GB) of server memory is required per each adapter.

NOTE: Direct Attach Cable (DAC) for copper environments or fiber transceivers and cables for fiber-optic environments must be purchased separately.

HP NC522SFP Dual Port 10GbE Server Adapter	468332-B21
HP NC550SFP Dual Port 10GbE Server Adapter	581201-B21

NOTE: Please see the QuickSpecs for Technical Specifications and additional information: www.hp.com/go/ProLiantNICs.



Additional Options

HP Entry-Level Server Management	HP LO100i Advanced Pack, No Media 1-Server License including 1 year of 24x7 Technical Support and Updates NOTE: For additional License Kits please see the Lights-Out 100i QuickSpecs at: www.hp.com/go/lo100 .	530521-B21
HP Insight Software	HP Insight Control for Linux	TC213AAE
	HP Insight Control for Linux, 1-server license, including one year of 24x7 Technical Support and Updates, Electronic NOTE: This part number can be purchased as a single license or as multiple licenses with a single activation key. Customer will receive a license entitlement certificate via e-mail. The license entitlement certificate must be redeemed online or via fax in order to obtain the license activation key(s). Includes one year of 24 x 7 HP Software Technical Support and Update Service.	
	HP Insight Control for Linux, No Media, 1-Server license, including one year of 24x7 Technical Support and Updates	TC209A
	HP Insight Control for Linux, Media pack (DVD) - No licenses included NOTE: This optional Media pack DVD contains the ISO image for HP Insight Control for Linux, HP Systems Insight Manager, HP Insight Control power management, HP Insight Control virtual machine management, and an integrated installer. Servers must be acquired separately. NOTE: This Media pack is optional because the latest ISO image and latest updates may be downloaded at no cost from: http://www.hp.com/go/ic-linux (click on Download button). NOTE: Licenses ship without media. The Media Kit for Insight Control for Linux can be ordered separately, or can be downloaded at: http://www.hp.com/go/ic-linux (click on Download button). NOTE: Customer will receive a license entitlement certificate, which must be redeemed online or via fax in order to obtain the license activation key(s). Includes one year of 24 x 7 HP Software Technical Support Service. NOTE: For additional License Kits, including electronic licensing options, please see the QuickSpecs at: http://h18000.www1.hp.com/products/quickspecs/13019_na/13019_na.html	TC208A
	HP Insight Control server deployment	
	HP Insight Control server deployment Electronic License including 1 year 24x7 Technical Support and Updates	T9082AAE
	HP Insight Control server deployment 1-Server License including 1 year 24x7 Technical Support and Updates	452151-B21
	NOTE: Licenses ship without media. The Insight Control Media Kit can be ordered separately, or can be downloaded at: http://www.hp.com/go/insightupdates . NOTE: Customer will receive a license entitlement certificate, which must be redeemed online or via fax in order to obtain the license activation key(s). Includes one year of 24 x 7 HP Software Technical Support Service. NOTE: For additional license kits please see the Insight Control QuickSpecs at: http://h18004.www1.hp.com/products/quickspecs/12631_na/12631_na.html	



Additional Options

HP I/O Accelerator Options	HP 160GB SLC PCIe ioDrive	600278-B21
	NOTE: A low-profile PCI bracket is included for use in low-profile slots.	
	NOTE: A minimum of 4 GB of system memory is required per card	
	HP 320GB MLC PCIe ioDrive	600279-B21
	NOTE: A low-profile PCI bracket is included for use in low-profile slots.	
HP I/O Accelerator Options	NOTE: A minimum of 8 GB of system memory is required per card	
	HP 320GB SLC PCIe ioDrive Duo	600281-B21
	NOTE: A minimum of 8 GB of system memory is required per card	
HP I/O Accelerator Options	HP 640GB MLC PCIe ioDrive Duo	600282-B21
	NOTE: A minimum of 16 GB of system memory is required per card	
	NOTE: Please see the QuickSpecs for Technical Specifications and additional information:	
	http://h18000.www1.hp.com/products/quickspecs/13587_na/13587_na.html	
HP Graphics Options	HP Graphic Card Power Adapter Kit	533955-B21
NOTE: The kit is applicable for 4LFF,8LFF and 8SFF cages . The Graphic Power Adapter Kit can support up to 150 Watts.		
HP Security - TPM	HP Trusted Platform Module Option Kit	488069-B21
HP Storage Controllers	SAS Controllers	
	HP Smart Array P212 Controller	
	HP P212/Zero Memory Smart Array Controller	462828-B21
	HP P212/256MB Smart Array Controller	462834-B21
	HP Smart Array P410 Controller	
	HP Smart Array P410/256MB Controller	462862-B21
	HP Smart Array P410/512MB BBWC Controller	462864-B21
	HP Smart Array P410/1G with FBWC	572532-B21
	HP Smart Array P410/512MB with FBWC	578230-B21
	HP Smart Array P411 Controller	
	HP Smart Array P411/256MB Controller	462830-B21
	HP Smart Array P411/512MB BBWC	462832-B21
	HP Smart Array P411/1G Flash Backed Write Cache	572531-B21
	HP Smart Array P411/512MB Flash Backed Write Cache	578229-B21
	Smart Array P800 Controller	
	HP Smart Array P800/512 BBWC Controller	381513-B21
	HP Smart Array P812 Controller	
	HP Smart Array P812/1G Flash Backed Cache Controller	487204-B21
	Optional Upgrades	
	HP Int SAS/SATA Multi-Lane Cable Kit	464830-B21
	HP Mini SAS to Mini SAS 28in Cable Assy	496013-B21
	NOTE: Supports internal drives on the DL180 G6 with the Smart Array P800 Controller.	



Additional Options

1G Flash Backed Write Cache	534562-B21
256 MB Cache Module	462968-B21
NOTE: Supported on HP Smart Array P212 Controller only.	
512MB Flash Backed Write Cache	534916-B21
512MB BBWC	462967-B21
NOTE: Supported on HP Smart Array P410 Controller and HP Smart Array P411 Controller only.	
Battery Kit upgrade	462969-B21
NOTE: To enable BBWC on the 256MB cache.	
NOTE: Supported on HP Smart Array P212 Controller, HP Smart Array P410 Controller, and HP Smart Array P411 Controller only.	
HP 8484 to Mini SAS 33in Cable Assembly	591734-B21
NOTE: Cable for use connecting the Smart Array P800 Controller to internal hard disk drives on select HP ProLiant G6 Servers.	
HP Smart Array Hot Plug Advanced Pack for B110i No Media 1-Server license including 1yr 24x7 Technical Support	TC421A
HP Smart Array Advanced Pack No Media 1-Server license including 1yr 24x7 Technical Support	516471-B21
NOTE: This part number can be used to purchase a single license or to order multiple licenses with a single activation key. Customers will receive a license entitlement certificate via e-mail. The license entitlement certificate must be redeemed online or via fax in order to obtain the license activation key(s). Include one year of 24x7 HP Software Technical Support Services.	
NOTE: Please see the QuickSpecs for Technical Specifications and additional information:	
http://h18000.www1.hp.com/products/quickspecs/13203_na/13203_na.html (Smart Array P212 Controller)	
http://h18000.www1.hp.com/products/quickspecs/13201_na/13201_na.html (Smart Array P410 Controller)	
http://h18000.www1.hp.com/products/quickspecs/13202_na/13202_na.html (Smart Array P411 Controller)	
SAS HBA	
HP SC08Ge Host Bus Adapter	488765-B21
NOTE: Please see the QuickSpecs for Technical Specifications and additional information:	
http://h18000.www1.hp.com/products/quickspecs/13082_na/13082_na.html (SC08Ge HBA)	
HP SC08e 6Gb 2-ports Ext PCIe SAS HBA	614988-B21
NOTE: This is a 2 x4 External Port HBA.	
NOTE: This is only approved for the HP Storage Works P2000 G3 SAS Modular Smart Array.	
NOTE: Please see the QuickSpecs for Technical Specifications and additional information:	
http://h18000.www1.hp.com/products/quickspecs/13651_na/13651_na.html	
SCSI HBA	
HP SC11Xe Host Bus Adapter	412911-B21
NOTE: Recommended HBA for SCSI tape drive connect.	



Additional Options

NOTE: Please see the QuickSpecs for Technical Specifications and additional information:
http://h18000.www1.hp.com/products/quickspecs/12566_na/12566_na.html
 (SCSI HBA)

HP InfiniBand Options	QLogic IB 4X QDR PCI-e G2 Dual-port HC	583211-B21
	HP IB 4X QDR CX-2 PCI-e G2 Dual Port HCA	592520-B21
	HP IB 4X DDR CX-2 PCI-e G2 Dual Port HCA	592521-B21

NOTE: Please see the QuickSpecs for additional information:
http://h18000.www1.hp.com/products/quickspecs/13078_na/13078_na.html

HP Backup & Recovery Software	Data Protector Express	
	HP Data Protector Express 4.0 SP1 Backup Server	BB117BA
	HP Data Protector Express 4.0 SP1 for Microsoft Small Business Server	BB118BA
	HP Data Protector Express Backup Server 4.0 SP1 Upgrade from Data Protector Express Single Server Edition	BB117BT

NOTE: Only one of these Data Protector Express base products is required. To see available options: <http://www.hp.com/go/dataprotectorexpress>

HP Tape Backup	NOTE: For the complete range of StorageWorks tape drives, autoloaders, libraries and media see: http://www.hp.com/go/tape . For hardware and software compatibility of HP StorageWorks tape backup products see: http://www.hp.com/go/connect .	
	HP StorageWorks DAT 160 SAS Internal Tape Drive	Q1587A
	NOTE: For installation into 1U SAS Rack-Mount Kit (AE459B) or 3U SAS Rack-Mount Kit (AG576B). No peripheral bay available for installation into the server. Connection using the HP SC44Ge SAS Host Bus Adapter (416096-B21) recommended.	
	HP StorageWorks 1U USB Rack-Mount Kit with one DAT 320 USB Tape Drive	AP835A
	HP StorageWorks DAT 320 SAS Internal Tape Drive	AJ830A
	NOTE: For installation into 1U SAS Rack-Mount Kit (AE459B) or 3U SAS Rack-Mount Kit (AG576B). No peripheral bay available for installation into the server. Connection using the HP SC44Ge SAS Host Bus Adapter (416096-B21) recommended.	
	HP StorageWorks LTO-2 Ultrium 448 SAS Internal Tape Drive	DW085A
	NOTE: For installation into 1U SAS Rack-Mount Kit (AE459B) or 3U SAS Rack-Mount Kit (AG576B). No peripheral bay available for installation into the server. Connection using the HP SC44Ge SAS Host Bus Adapter (416096-B21) recommended.	
	HP StorageWorks LTO-3 Ultrium 920 SAS Internal Tape Drive	EH847A
	NOTE: For installation into 1U SAS Rack-Mount Kit (AE459B) or 3U SAS Rack-Mount Kit (AG576B). No peripheral bay available for installation into the server. Connection using the HP SC44Ge SAS Host Bus Adapter (416096-B21) recommended.	
HP StorageWorks 1/8 G2 LTO-3 Ultrium 920 SAS Tape Autoloader	AH558A	
NOTE: Requires HP 1U Tape Autoloader Rack-Mount Kit (AH166A) for rack installation. Connection using the HP SC44Ge SAS Host Bus Adapter (416096-B21) recommended.		



Additional Options

HP StorageWorks MSL2024 Tape Library with one LTO-3 Ultrium 920 SAS Drive AH559A
NOTE: Connection using the HP SC44Ge SAS Host Bus Adapter (416096-B21) recommended.

HP Disk Backup

NOTE: For the complete range of StorageWorks D2D Backup Systems see: <http://www.hp.com/go/d2d>. For the complete range of StorageWorks RDX drives and media see: <http://www.hp.com/go/rdx>. For hardware and software compatibility of HP StorageWorks disk backup products see: <http://www.hp.com/go/connect>.

HP StorageWorks D2D Backup Systems with Backup Data Deduplication

HP StorageWorks D2D2502i Backup System EJ001A

NOTE: 1.5TB of usable network disk backup capacity. Network connected appliance with connectivity using the iSCSI protocol. If the server requires a hardware iSCSI initiator, the QLogic QLA4050 Host Bus Adapter is recommended.

HP StorageWorks D2D2504i Backup System EJ002A

NOTE: 3.0TB of usable network disk backup capacity. Network connected appliance with connectivity using the iSCSI protocol. If the server requires a hardware iSCSI initiator, the QLogic QLA4050 Host Bus Adapter is recommended.

USB Removable Media RDX Disk Backup Systems

HP StorageWorks RDX320 Internal Removable Disk Backup System AJ767A

NOTE: For installation into 1U USB Rack-Mount Kit (A8007A). No peripheral bay available for drive installation into the server. 320GB of disk capacity per data cartridge.

HP StorageWorks RDX500 Internal Removable Disk Backup System AJ934A

NOTE: For installation into 1U USB Rack-Mount Kit (A8007A). No peripheral bay available for drive installation into the server. 500GB of disk capacity per data cartridge.

HP StorageWorks RDX750 Internal Removable Disk Backup System AW577A

NOTE: For installation into 1U USB Rack-Mount Kit (A8007A). No peripheral bay available for drive installation into the server. 750GB of disk capacity per data cartridge.

HP StorageWorks Options

StorageWorks Fibre Channel HBA

NOTE: The following is a list of all Fibre Channel Host Bus Adapters for Windows and Linux. For detailed compatibility information please see:

<http://h18006.www1.hp.com/storage/saninfrastructure/hba.html>.

Brocade Fibre Channel HBAs

HP 81B PCIe 8Gb FC Single Port HBA AP769A

HP 82B PCIe 8Gb FC Dual Port HBA AP770A

HP 41B PCIe 4Gb FC Single Port HBA AP767A

HP 42B PCIe 4Gb FC Dual Port HBA AP768A

Emulex Fibre Channel HBAs

HP StorageWorks 81E 8Gb SP PCI-e FC HBA AJ762A

HP 82E 8Gb Dual-port PCI-e FC HBA AJ763A

HP StorageWorks FC2142SR 4Gb PCI-e HBA A8002A

HP StorageWorks FC2242SR Dual Channel 4Gb PCI-e FC HBA A8003A



Additional Options

QLogic Fibre Channel HBAs

HP StorageWorks 81Q PCI-e FC HBA AK344A

HP 82Q 8Gb Dual Port PCI-e FC HBA AJ764A

HP StorageWorks FC1142SR 4Gb PCI-e HBA AE311A

HP StorageWorks FC1242SR Dual Channel 4 Gb PCI-e HBA AE312A

StorageWorks SCSI HBA

HP U320e SCSI Host Bus Adapter AH627A

NOTE: Recommended for MSL SCSI Tape Library connect.

StorageWorks Converged Network Adapter

HP CN1000E 2P Converged Network Adapter AW520A

HP Disk Storage Systems

MSA SAN Storage Arrays

HP StorageWorks MSA60 Array 418408-B21

NOTE: Please see the QuickSpecs for additional options and configuration information at:

http://h18000.www1.hp.com/products/quickspecs/12627_na/12627_na.html

HP StorageWorks MSA70 Array 418800-B21

NOTE: Please see the QuickSpecs for additional options and configuration information at:

http://h18000.www1.hp.com/products/quickspecs/12652_na/12652_na.html

HP Uninterruptible Power Systems

HP Rack-mountable UPS

HP R1500 G2 UPS

HP R1.5 VA 1U UPS AF419A

HP R/T3000 UPS

HP R/T3000 UPS, High voltage AF453A

HP Rack-Mountable R5500 UPS

HP R5500 3U UPS AF426A

NOTE: For additional information on all HP Uninterruptible Power Systems and accessories please go to: www.hp.com/products/ups

NOTE: For additional information on sizing your server, please reference: <http://www.upsizer.com>



Additional Options

HP Power Distribution Units	Monitored PDUs	
	HP Monitored Power Distribution Unit: Full Rack Version	
	HP 8.6 kVA S1324 Monitored PDU- single input, 3Ø, 24A	AF504A
	HP 8.3 S1140 Monitored PDU- single input, 1Ø, 40A	AF506A
	HP Monitored Power Distribution Unit: Half Rack Version	
	HP 4.9 kVA S124 Monitored PDU- single input, 1Ø, 24A	AF914A
	Modular PDUs 1U/0U (Up to 28 outlets)	
	4.9 kVA Modular PDU, 24A	252663-D72
8.3 kVA Modular PDU, 40A	252663-D73	
<p>NOTE: Please see the QuickSpecs for Technical Specifications and additional information: http://h18000.www1.hp.com/products/quickspecs/12118_na/12118_na.html</p>		

HP Rack Series	HP Rack 10000 G2 Series (Carbon/Graphite Metallic)	
	HP Universal Rack 10642 G2 Pallet	AF001A
	HP Universal Rack 10642 G2 Shock	AF002A
	<p>NOTE: It is mandatory to use a shock pallet when shipping racks with equipment installed.</p>	
	<p>NOTE: Please see the Rack 10000 G2 QuickSpecs for Technical Specifications such as height, width, depth, weight, and color: http://h18000.www1.hp.com/products/quickspecs/12402_na/12402_na.html</p>	
	<p>NOTE: For additional information regarding Rack Cabinets, please see the following URL: http://www.hp.com/go/rackandpower.</p>	

HP Rack Options	HP KVM Switch Options	
	HP 0x2x8 KVM Server Console G2 Switch	AF616A
	HP 0x2x16 KVM Server Console G2 Switch	AF617A
	<p>NOTE: Cat5e cables are required to connect Interface Adapters to Console Switches. Cat5e cables can be found at the following URL: http://www.hp.com/go/kvm.</p>	
	HP Serial Console Server Options	
	0x2x16 KVM Server Console G2 Switch with Virtual Media and CAC	AF618A
	0x2x32 KVM Server Console G2 Switch with Virtual Media and CAC	AF619A
	1x1Ex8 KVM IP Console Switch G2 with Virtual Media and CAC	AF620A
	2x1Ex16 KVM IP Console Switch G2 with Virtual Media and CAC	AF621A
	4x1Ex32 KVM IP Console Switch G2 with Virtual Media and CAC	AF622A
	<p>NOTE: Cat5e cables are required to connect Serial Adapters to Serial Console Servers. Additional Serial Adapters and Cat5e cables can be found at the following URL: http://www.hp.com/go/kvm.</p>	
	<p>NOTE: For additional information regarding KVM switches, Serial Console servers, rack mount monitors, keyboards and all related options please see the following URL: http://www.hp.com/go/kvm.</p>	
	Rack Kits	
	HP Rack Cable Management Velcro Clips	379820-B21



Additional Options

HP USB and SD Options	HP External USB CD/DVD R/RW Optical Drive	FS943AA#ABA
	HP USB-PS/2 Mouse	DC369A
	HP USB 04 Standard Keyboard	DT528A#ABA
	HP 2GB USB Flash Media Drive Key Kit	608447-B21

NOTE: HP qualified blank USB key for use with HP ProLiant servers that support the VMware virtualization environment and other HP value-add software like SmartStart. HP recommends this industry standard USB flash device for use with VMware ESXi. USB device must be installed in the internal slot of the ProLiant server for use with VMware ESXi. Refer to [HP VMware Getting Started Guide](#) for installation instructions.

HP Care Pack Services	Hardware Services 4-Hour On-site Service	
	13-Hour x 5-Day Coverage, 3 Years, Electronic	UH271E
	24-Hour x 7-Day Coverage, 3 Years, Electronic	UH272E
	Hardware Services Next Business Day On-Site Service	
	9-Hour x 5-Day Coverage, 3 Years, Electronic	UH270E
	Hardware Services 6-Hour Call to Repair On-Site Service	
	6-Hour Call to Repair, On-site Service, 7-Day x 24-Hour Coverage, 3 Years, Electronic	UH273E

Hardware Installation, Electronic UH301E

NOTE: For more information, customer/resellers can contact: <http://www.hp.com/services/carepack>.



Memory

NOTE: Memory configurations listed do not apply to "Factory Integrated Models".

HP ProLiant DL180 G6

Standard Memory (depending on model)

- 4GB (1 x 4GB) PC3-10600R-9 Registered memory, with Advanced ECC Capabilities Memory installed.
- 8GB (2 x 4GB) PC3-10600R-9 Registered memory, with Advanced ECC Capabilities Memory installed.
- 16GB (4 x 4GB) PC3-10600R-9 Registered memory, with Advanced ECC Capabilities Memory installed.

Maximum Memory

Up to 192GB memory is available with the optional installation of PC3-8500R Registered DIMM memory kits.

NOTE: Charts do not represent all possible memory configurations.

DDR3 memory population guidelines

For detailed memory configuration rules and guidelines, please use the Online DDR3 Memory Configuration Tool:

www.hp.com/go/ddr3memory-configurator

Some DIMM installation guidelines are summarized below:

- For servers with twelve (12) memory slots
- There are three (3) channels per processor; six (6) channels per server
- There are two (2) DIMM slots for each memory channel; twelve (12) total slots
- Memory channel 1 consists of the two (2) DIMMs that are closest to the processor
- Memory channel 3 consists of the two (2) DIMMs that are furthest from the processor
- DIMM slots that are white should be populated first
- Do not mix Unbuffered memory (UDIMMs) with Registered memory (RDIMMs)
- Do not install DIMMs if the corresponding processor is not installed
- If only one processor is installed in a 2CPU system, only half of the DIMM slots are available
- To maximize performance, balance the total memory capacity between all installed processors
- It is not required, but it is recommended to load the channels similarly if possible
- If any Quad rank DIMMs are installed, all channels are limited to only 2 DIMMs per channel.
- You can only install two quad-rank DIMMs per channel
- You can install two UDIMMs per channel; if available, the third slot in the channel must remain empty
- Populate DIMMs from heaviest load (quad-rank) to lightest load (single-rank) within a channel
- Heaviest load (DIMM with most ranks) within a channel goes furthest from the chipset
- If mixing DIMM voltage is a requirement, please note that the DIMMs will run at 1.5V since all 1.35V are capable of supporting 1.5V operations
- Low Voltage DIMMs can only be used with Intel Xeon 5600 series processors.
- For memory mirroring mode, channel 3 must be unpopulated. Channels 1 and 2 are populated identically
- For lock-step mode, channel 3 must be unpopulated. DIMMs in channels 1 and 2 will be installed in pairs. The paired slots will be 1,4; 2,5; 3,6 on a 3DPC system or 1,4; 2,5; on a 2DPC system



Memory

DIMM Type ->	Registered DIMMS (RDIMMs)							Unbuffered with ECC DIMMs (UDIMMs)		
DIMM Rank ->	Single Rank (1R)	Dual Rank (2R)				Quad Rank (4R)		Single Rank (1R)	Dual Rank (2R)	
DIMM Capacity ->	4GB	2GB	4GB	8GB	8GB	4GB	16GB	1GB	2GB	4GB
DIMM Native Speed (MHz) ->	1333	1333	1333	1066	1333	1066	1066	1333	1333	1333
Voltage	LV/Reg	Reg	Reg	Reg	Reg	LV/Reg	Reg	Reg	Reg	Reg
SLOTS THAT CAN BE POPULATED										
12 slot servers	12	12	12	12	12	12	12	12	12	12
MAXIMUM CAPACITY (GB)										
12 slot servers	48	24	48	96	96	48	192	12	24	48
POPULATED DIMM SPEED (MHz)										
1 DIMM Per Channel	1333	1333	1333	1066	1333	1066	1066	1333	1333	1333
2 DIMM Per Channel	1333*	1333*	1333*	1066	1333*	800	800	1066	1066	1066

* Supported with BIOS update via ROM Based Setup Utility (RBSU). UDIMM support is on 12-slot server.

NOTES:

- PC3-10600 DIMMs have a maximum speed of 1333MHz. PC3-8500 DIMMs have a maximum speed of 1066MHz
- Mixing DIMM speeds is allowed, but the system processor speed rules always override the DIMM capabilities.
- If you do mix DIMM speeds, the memory bus will default to the minimum clock rate of all DIMMs in the system - even if the slower DIMM is on the other processor.
- If you install 1x 1066MHz DIMM in channel 1 and 1x 1333MHz DIMM in channel 2, the maximum speed will be 1066MHz.
- If you install 1x 1066MHz DIMM in channel 1 and 5x 1333MHz DIMMs with 1 DIMM Per Channel (DPC) in each of the other channels, the maximum speed will be 1066MHz.
- If you install 3DPC in one channel (if applicable) and 1DPC in all other channels, you run at 800MHz.
- Maximum memory speed will also depend on the processor installed.
- References to the above MHz speeds are for the various speeds of DDR3 DIMMs; 1333 refers to DDR3-1333, etc.

DIMM slot and configuration diagrams

Basic memory slot & population diagram

- Population order; start with "A" first, "B" second, "C" third, etc.

12 DIMM SLOTS (6 per CPU node)					
	CPU1		CPU2		
	slot #	population order	slot #	population order	
Chnl 1	1	D	1	D	Chnl 1
	2	A	2	A	
Chnl 2	3	E	3	E	Chnl 2
	4	B	4	B	
Chnl 3	5	F	5	F	Chnl 3
	6	C	6	C	



Memory

Standard memory configuration (1 CPU model)

- 6GB, consisting of three (3) 2GB dual-rank PC3-10600 RDIMMs

	CPU1		CPU2		
	slot #	population order	slot #	population order	
Chnl 1	1	D: empty	1	D: empty	Chnl 1
	2	A: 2GB DIMM	2	A: empty	
Chnl 2	3	E: empty	3	E: empty	Chnl 2
	4	B: 2GB DIMM	4	B: empty	
Chnl 3	5	F: empty	5	F: empty	Chnl 3
	6	C: 2GB DIMM	6	C: empty	

Standard memory plus optional memory (1 CPU model)

- 30GB, consisting of three (3) 2GB RDIMMs plus three (3) 8GB RDIMMs
 - 3x 2GB dual-rank PC3-10600 RDIMMs
 - 3x 8GB dual-rank PC3-8500 RDIMMs

	CPU1		CPU2		
	slot #	population order	slot #	population order	
Chnl 1	1	D: 8GB DIMM	1	D: empty	Chnl 1
	2	A: 2GB DIMM	2	A: empty	
Chnl 2	3	E: 8GB DIMM	3	E: empty	Chnl 2
	4	B: 2GB DIMM	4	B: empty	
Chnl 3	5	F: 8GB DIMM	5	F: empty	Chnl 3
	6	C: 2GB DIMM	6	C: empty	

Standard memory replaced with optional memory (1 CPU model)

RDIMM maximum configuration

- 96GB, consisting of six (6) 16GB quad-rank PC3-8500 RDIMMs

	CPU1		CPU2		
	slot #	population order	slot #	population order	
Chnl 1	1	D: 16GB DIMM	1	D: empty	Chnl 1
	2	A: 16GB DIMM	2	A: empty	
Chnl 2	3	E: 16GB DIMM	3	E: empty	Chnl 2
	4	B: 16GB DIMM	4	B: empty	
Chnl 3	5	I: 16GB DIMM	5	I: empty	Chnl 3
	6	C: 16GB DIMM	6	C: empty	



Memory

UDIMM maximum configuration (1 CPU model)

- 24GB, consisting of six (6) 4GB dual-rank PC3-10600 UDIMMs

	CPU1		CPU2		
	slot #	population order	slot #	population order	
Chnl 1	1	D: 4GB DIMM	1	D: empty	Chnl 1
	2	A: 4GB DIMM	2	A: empty	
Chnl 2	3	E: 4GB DIMM	3	E: empty	Chnl 2
	4	B: 4GB DIMM	4	B: empty	
Chnl 3	5	F: 4GB DIMM	5	F: empty	Chnl 3
	6	C: 4GB DIMM	6	C: empty	

Standard memory replaced with optional memory (2 CPU model)

RDIMM maximum configuration

- 192GB, consisting of twelve (12) 16GB quad-rank PC3-8500 RDIMMs

	CPU1		CPU2		
	slot #	population order	slot #	population order	
Chnl 1	1	D: 16GB DIMM	1	D: 16GB DIMM	Chnl 1
	2	A: 16GB DIMM	2	A: 16GB DIMM	
Chnl 2	3	E: 16GB DIMM	3	E: 16GB DIMM	Chnl 2
	4	B: 16GB DIMM	4	B: 16GB DIMM	
Chnl 3	5	F: 16GB DIMM	5	F: 16GB DIMM	Chnl 3
	6	C: 16GB DIMM	6	C: 16GB DIMM	

UDIMM maximum configuration (2 CPU model)

- 48GB, consisting of twelve (12) 4GB dual-rank PC3-10600 UDIMMs

	CPU1		CPU2		
	slot #	population order	slot #	population order	
Chnl 1	1	D: 4GB DIMM	1	D: 4GB DIMM	Chnl 1
	2	A: 4GB DIMM	2	A: 4GB DIMM	
Chnl 2	3	E: 4GB DIMM	3	E: 4GB DIMM	Chnl 2
	4	B: 4GB DIMM	4	B: 4GB DIMM	
Chnl 3	5	F: 4GB DIMM	5	F: 4GB DIMM	Chnl 3
	6	C: 4GB DIMM	6	C: 4GB DIMM	

NOTE: Capacity references are rounded to the common Gigabyte values.

- 1GB = 1024MB



Memory

- 2GB = 2048MB
- 4GB = 4096MB
- 8GB = 8192MB
- 16GB = 16384MB

For detailed memory configuration rules and guidelines, please use the [Online DDR3 Memory Configuration Tool: www.hp.com/go/ddr3memory-configurator](http://www.hp.com/go/ddr3memory-configurator)

HP Memory	Registered RDIMMs	
	HP 2GB (1x2GB) Dual Rank x8 PC3-10600 (DDR3-1333) Registered CAS-9 Memory Kit	500656-B21
	HP 4GB (1x4GB) Dual Rank x4 PC3-10600 (DDR3-1333) Registered CAS-9 Memory Kit	500658-B21
	HP 4GB (1x4GB) Single Rank x4 PC3-10600 (DDR3-1333) Registered CAS-9 Memory Kit	593339-B21
	HP 4GB (1x4GB) Quad Rank x8 PC3-8500 (DDR3-1066) Registered CAS-7 Low Power Memory Kit	500660-B21
	HP 8GB (1x8GB) Dual Rank x4 PC3-8500 (DDR3-1066) Registered CAS-7 Memory Kit	516423-B21
	HP 16GB (1x16GB) Quad Rank x4 PC3-8500 (DDR3-1066) Registered CAS-7 Memory Kit	500666-B21
	HP 4GB (1x4GB) Single Rank x4 PC3L-10600 (DDR3-1333) Registered CAS-9 Low Power Memory Kit	604504-B21
	HP 8GB (1x8GB) Dual Rank x4 PC3L-10600 (DDR3-1333) Registered CAS-9 Low Power Memory Kit	604506-B21
	HP 8GB (1x8GB) Dual Rank x4 PC3-10600 (DDR3-1333) Registered CAS-9 Memory Kit	500662-B21
	Unregistered with ECC UDIMMs	
	HP 1GB (1x1GB) Single Rank x8 PC3-10600 (DDR3-1333) Unbuffered CAS-9 Memory Kit	500668-B21
	HP 2GB (1x2GB) Dual Rank x8 PC3-10600 (DDR3-1333) Unbuffered CAS-9 Memory Kit	500670-B21
	HP 4GB (1x4GB) Dual Rank x8 PC3-10600 (DDR3-1333) Unbuffered CAS-9 Memory Kit	500672-B21

NOTE: All DDR3 memory option kits consist of one DIMM per kit. For detailed memory configuration rules and guidelines, please use the [Online DDR3 Memory Configuration Tool: www.hp.com/go/ddr3memory-configurator](http://www.hp.com/go/ddr3memory-configurator).

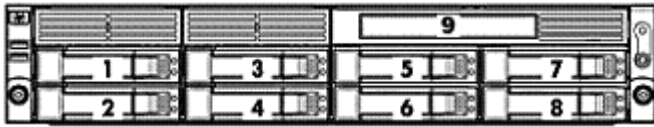
NOTE: Kits described as LP include Low Power DIMMs. For more information on ProLiant Energy Efficient Features, see:

<http://h18004.www1.hp.com/products/servers/platforms/energyefficient/>



Storage

8 Drive Cage with DVD-Drive bay



- 1-8 Eight 3.5" Hot Plug SAS/SATA Hard Drive Bays
- 9 DVD-ROM, DVD RW

12 Drive Cage



- 1-12 Twelve 3.5" Hot Plug SAS/SATA Hard Drive Bays
- 13-14 Two Rear 3.5" Hot Plus SAS/SATA Hard Drive Bays
Not Shown

Drive Support

Removable Media

	Quantity Supported	Position Supported	Controller
DVD-ROM	Up to 1	9	Integrated IDE (ATAPI) (optional)
DVD RW	Up to 1	9	Integrated IDE (ATAPI) (optional)

Hard Drives

NOTE: The components of a storage subsystem (e.g. the drive, the HBA/controller, and the server backplane) should operate at the same data transfer rate or the system bandwidth will be negotiated down to an acceptable level for all components.

NOTE: Hard drives have either a one year or three year warranty; refer to the specific hard drive QuickSpecs for details.

SATA Hot Plug SFF (2.5-inch) Midline (MDL) Drives

	Quantity Supported	Position Supported	Controller
500GB 3G SATA 7.2K 160GB 3G SATA 7.2K	Up to 8 with 8 drive cage	1-8	HP Smart Array P212/Zero Memory Controller HP Smart Array P212/256 MB Controller HP Smart Array P410/256 MB Controller HP Smart Array P410/512 MB BBWC Controller HP Smart Array P410/512 MB FBWC Controller HP Smart Array P410/1G FBWC Controller HP Smart Array P812/1G FBWC Controller HP Smart Array P800/512 BBWC Controller
	Up to 25 with 25 drive cage	1-25	NOTE: Smart Array P212 Controllers recommended. HP Smart Array P212/Zero Memory Controller HP Smart Array P212/256 MB Controller HP Smart Array P410/256 MB Controller HP Smart Array P410/512 MB BBWC Controller



Storage

HP Smart Array P410/512 MB FBWC Controller
 HP Smart Array P410/1G FBWC Controller
 HP Smart Array P812/1G FBWC Controller
 HP Smart Array P800/512 BBWC Controller
 HP Smart Array Hot Plug Advance Pack for B110i

SATA Hot Plug LFF (3.5-inch) Midline (MDL) Drives

	Quantity Supported	Position Supported	Controller
2TB 3G SATA 7.2K 1TB 3G SATA 7.2K 500GB 3G SATA 7.2K	Up to 8 with 8 drive cage	1-8	HP Smart Array P212/Zero Memory Controller HP Smart Array P212/256 MB Controller HP Smart Array P410/256 MB Controller HP Smart Array P410/512 MB BBWC Controller HP Smart Array P410/512 MB FBWC Controller HP Smart Array P410/1G FBWC Controller HP Smart Array P812/1G FBWC Controller HP Smart Array P800/512 BBWC Controller
	Up to 14 with 12 drive cage + Rear Drive Cage	1-14	NOTE: Smart Array P212 Controllers recommended. HP Smart Array P212/Zero Memory Controller HP Smart Array P212/256 MB Controller HP Smart Array P410/256 MB Controller HP Smart Array P410/512 MB BBWC Controller HP Smart Array P410/512 MB FBWC Controller HP Smart Array P410/1G FBWC Controller HP Smart Array P812/1G FBWC Controller HP Smart Array P800/512 BBWC Controller HP Smart Array Hot Plug Advance Pack for B110i

SATA Hot Plug LFF (3.5-inch) Entry (ETY) Drives

	Quantity Supported	Position Supported	Controller
250GB 3G SATA 7.2K 160GB 3G SATA 7.2K	Up to 8 with 8 drive cage	1-8	HP Smart Array P212/Zero Memory Controller HP Smart Array P212/256 MB Controller HP Smart Array P410/256 MB Controller HP Smart Array P410/512 MB BBWC Controller HP Smart Array P410/512 MB FBWC Controller HP Smart Array P410/1G FBWC Controller HP Smart Array P812/1G FBWC Controller HP Smart Array P800/512 BBWC Controller
	Up to 14 with 12 drive cage + Rear Drive Cage	1-14	HP Smart Array P212/Zero Memory Controller HP Smart Array P212/256 MB Controller HP Smart Array P410/256 MB Controller HP Smart Array P410/512 MB BBWC Controller HP Smart Array P410/512 MB FBWC Controller HP Smart Array P410/1G FBWC Controller HP Smart Array P812/1G FBWC Controller HP Smart Array P800/512 BBWC Controller HP Smart Array Hot Plug Advance Pack for B110i

SATA Hot Plug Midline (MDL) Solid State Drives

Quantity Supported	Position Supported	Controller
--------------------	--------------------	------------



Storage

60GB 3.0G SATA SSD	Up to 8 with 8 drive cage	1-8	HP Smart Array P212/Zero Memory Controller
120GB 3.0G SATA SSD			HP Smart Array P212/256 MB Controller
	Up to 25 with 25 drive cage	1-25	HP Smart Array P410/256 MB Controller
			HP Smart Array P410/512 MB BBWC Controller
			HP Smart Array P410/512 MB FBWC Controller
			HP Smart Array P410/1G FBWC Controller
			HP Smart Array P812/1G FBWC Controller
			HP Smart Array P212/Zero Memory Controller
			HP Smart Array P212/256 MB Controller
			HP Smart Array P410/256 MB Controller
			HP Smart Array P410/512 MB BBWC Controller
			HP Smart Array P410/512 MB FBWC Controller
	HP Smart Array P410/1G FBWC Controller		
	HP Smart Array P812/1G FBWC Controller		
	HP Smart Array Hot Plug Advance Pack for B110i		

SATA Hot Plug 3.5" Midline (MDL) Solid State Drives

	Quantity Supported	Position Supported	Controller
60GB 3.0G SATA SSD	Up to 8 with 8 drive cage	1-8	HP Smart Array P410/256 MB Controller
120GB 3.0G SATA SSD			HP Smart Array P410/512 MB BBWC Controller
			HP Smart Array P410/512 MB FBWC Controller
			HP Smart Array P410/1G FBWC Controller
			HP Smart Array P812/1G FBWC Controller
			HP Smart Array P212/Zero Memory Controller
			HP Smart Array P212/256 MB Controller
			HP Smart Array B110i Hot Plug Advance Pack for B110i

SAS Hot Plug SFF (2.5-inch) Midline (MDL) Drives

	Quantity Supported	Position Supported	Controller		
500GB 6G SAS 7.2K	Up to 8 with 8 drive cage	1-8	HP Smart Array P212/Zero Memory Controller		
			HP Smart Array P212/256 MB Controller		
			HP Smart Array P410/256 MB Controller		
			HP Smart Array P410/512 MB BBWC Controller		
			HP Smart Array P410/512 MB FBWC Controller		
			HP Smart Array P410/1G FBWC Controller		
			HP Smart Array P812/1G FBWC Controller		
			HP Smart Array P800/512 BBWC Controller		
			Up to 25 with 25 drive cage	1-25	HP Smart Array P212/Zero Memory Controller
					HP Smart Array P212/256 MB Controller
	HP Smart Array P410/256 MB Controller				
	HP Smart Array P410/512 MB BBWC Controller				
			HP Smart Array P410/512 MB FBWC Controller		
			HP Smart Array P410/1G FBWC Controller		
			HP Smart Array P812/1G FBWC Controller		
			HP Smart Array P800/512 BBWC Controller		

SAS Hot Plug LFF (3.5-inch) Midline (MDL) Drives

	Quantity Supported	Position Supported	Controller
2TB 6G SAS 72K	Up to 8 with 8	1-8	HP Smart Array P212/Zero Memory Controller



Storage

1TB 6G SAS 7.2K	drive cage		HP Smart Array P212/256 MB Controller HP Smart Array P410/256 MB Controller HP Smart Array P410/512 MB BBWC Controller HP Smart Array P410/512 MB FBWC Controller HP Smart Array P410/1G FBWC Controller HP Smart Array P812/1G FBWC Controller HP Smart Array P800/512 BBWC Controller
	Up to 14 with 12 drive cage + Rear Drive Cage	1-14	HP Smart Array P212/Zero Memory Controller HP Smart Array P212/256 MB Controller HP Smart Array P410/256 MB Controller HP Smart Array P410/512 MB BBWC Controller HP Smart Array P410/512 MB FBWC Controller HP Smart Array P410/1G FBWC Controller HP Smart Array P812/1G FBWC Controller HP Smart Array P800/512 BBWC Controller

SAS Hot Plug SFF (2.5-inch) Enterprise (ENT) Drives

	Quantity Supported	Position Supported	Controller
300GB 6G 10K SAS 146GB 6G 15K SAS 146GB 6G 10K SAS 72GB 6G 15K SAS	Up to 8 with 8 drive cage	1-8	HP Smart Array P212/Zero Memory Controller HP Smart Array P212/256 MB Controller HP Smart Array P410/256 MB Controller HP Smart Array P410/512 MB BBWC Controller HP Smart Array P410/512 MB FBWC Controller HP Smart Array P410/1G FBWC Controller HP Smart Array P812/1G FBWC Controller HP Smart Array P800/512 BBWC Controller
	Up to 25 with 25 drive cage	1-25	HP Smart Array P212/Zero Memory Controller HP Smart Array P212/256 MB Controller HP Smart Array P410/256 MB Controller HP Smart Array P410/512 MB BBWC Controller HP Smart Array P410/512 MB FBWC Controller HP Smart Array P410/1G FBWC Controller HP Smart Array P812/1G FBWC Controller HP Smart Array P800/512 BBWC Controller

SAS Hot Plug LFF (3.5-inch) Enterprise (ENT) Drives

	Quantity Supported	Position Supported	Controller
600GB 6G SAS 15K DP 450GB 6G SAS 15K DP 300GB 6G SAS 15K	Up to 8 with 8 drive cage	1-8	HP Smart Array P212/Zero Memory Controller HP Smart Array P212/256 MB Controller HP Smart Array P410/256 MB Controller HP Smart Array P410/512 MB BBWC Controller HP Smart Array P410/512 MB FBWC Controller HP Smart Array P410/1G FBWC Controller HP Smart Array P812/1G FBWC Controller HP Smart Array P800/512 BBWC Controller
	Up to 14 with 12 drive cage + Rear Drive Cage	1-14	HP Smart Array P212/Zero Memory Controller HP Smart Array P212/256 MB Controller HP Smart Array P410/256 MB Controller HP Smart Array P410/512 MB BBWC Controller HP Smart Array P410/512 MB FBWC Controller



Storage

HP Smart Array P410/1G FBWC Controller
 HP Smart Array P812/1G FBWC Controller
 HP Smart Array P800/512 BBWC Controller

External Storage

	Quantity Supported	Position Supported	Controller
60 Modular Smart Array	Up to 4	External	HP Smart Array P212/Zero Memory Controller HP Smart Array P212/256 MB Controller HP Smart Array P800/512 BBWC Controller
	Up to 8	External	HP Smart Array P411/256 MB Controller HP Smart Array P411/512 FBWC Controller HP Smart Array P411/512 MB FBWC Controller HP Smart Array P411/1G FBWC Controller HP Smart Array P812/1G Flash Backed Cache Controller HP Smart Array P800/512 BBWC Controller
70 Modular Smart Array	Up to 2	External	HP Smart Array P212 Zero Memory Controller HP Smart Array P212/256 MB Controller
	Up to 4	External	HP Smart Array P411/256 MB Controller HP Smart Array P411/512 MB FBWC Controller HP Smart Array P411/512 MB FBWC Controller HP Smart Array P411/1G FBWC Controller HP Smart Array P812/1G Flash Backed Cache Controller HP Smart Array P800/512 BBWC Controller

Tape and Disk Backup

NOTE: For the complete range of StorageWorks tape drives, autoloaders, libraries and media, including the internal fitting models, see: <http://www.hp.com/go/tape>. For the complete range of StorageWorks D2D Backup Systems see: <http://www.hp.com/go/d2d>. For the complete range of StorageWorks RDX drives and media see: <http://www.hp.com/go/rdx>. For hardware and software compatibility of HP StorageWorks disk and tape backup products see: <http://www.hp.com/go/connect>.

	Position	Recommended Controller	Part Number
HP StorageWorks SCSI Tape Drives, External LTO-1 Ultrium 232 LTO-2 Ultrium 448 LTO-3 Ultrium 920 LTO-3 Ultrium 960 LTO4 Ultrium 1760 LTO-4 Ultrium 1840 DAT 40 DAT 72 DAT 160 1U Rack-Mount Kit 3U Rack-Mount Kit	External	HP SC11Xe Host Bus Adapter Please check the full compatibility information at: http://www.hp.com/go/connect	412911-B21
HP StorageWorks USB Tape Drives, External	External	USB 2.0 Port	N/A



Storage

DAT 40
 DAT 72
 DAT 160
 DAT 320
 1U USB Rack-Mount Kit

HP StorageWorks SAS Tape Drives, External DAT 160 DAT 320 LTO-2 Ultrium 448 LTO-3 Ultrium 920 LTO-4 Ultrium 1760 LTO-4 Ultrium 1840 LTO-5 Ultrium 3000 LTO-5 Ultrium 3280 1U Rack-Mount Kit 3U Rack-Mount Kit	External	HP Smart Array P212 SAS controller Please check the full compatibility information at: http://www.hp.com/go/connect	462828-B21
--	----------	--	------------

HP StorageWorks SCSI Tape Autoloaders, External DAT 72x10 Autoloader 1/8 G2 Autoloader	External	HP SC11Xe Host Bus Adapter Please check the full compatibility information at: http://www.hp.com/go/connect	412911-B21
---	----------	--	------------

HP StorageWorks SCSI Tape Libraries, External MSL2024 MSL4048 MSL8096 MSL6000	External	HP U320e SCSI Dual Channel Controller Please check the full compatibility information at: http://www.hp.com/go/connect	AH627A
--	----------	---	--------

HP StorageWorks SAS Tape Autoloaders and Libraries, External 1/8 G2 Autoloader MSL2024 MSL4048 MSL8096	External	HP Smart Array P212 SAS controller Please check the full compatibility information at: http://www.hp.com/go/connect	462828-B21
---	----------	--	------------

HP StorageWorks Fibre Channel Tape Libraries, External MSL2024 MSL4048 MSL8096 MSL6000	External	Please consult the EBS connectivity matrix at: http://www.hp.com/go/ebs for connectivity information and the supported Fibre Channel HBAs shown in this QuickSpecs.	
---	----------	---	--

HP StorageWorks USB	External	USB 2.0 port	N/A
----------------------------	----------	--------------	-----



Storage

RDX Removable Disk
Backup System, External
RDX160
RDX320
RDX500
RDX750

HP StorageWorks D2D
Backup Systems, iSCSI
D2D2500i
D2D4000i

Rack Mount Embedded Network Controller. If the server requires a hardware iSCSI initiator, the QLogic QLA4050 Host Bus Adapter is recommended.

HP StorageWorks D2D
Backup Systems, Fibre
Channel
D2D4000fc

Rack Mount Direct server attach is not supported, requires connection via SAN fabric. See: <http://www.hp.com/go/connect>



Power Specifications

HP 460W Power Supply							
Part Number - AC 460W PSU	503296-B21						
Input Voltage Range (Vrms)	100 to 240						
Frequency Range (Nominal) (Hz)	50/60						
Nominal Input Voltage (Vrms)	100	120	208	200	220	230	240
Maximum Rated Output Wattage	460	460	460	460	460	460	460
Nominal Input Current (A rms)	5.5	4.5	2.6	2.5	2.4	2.3	2.2
Max Rated Input Wattage Rating (Watts)	526	520	505	505	503	503	503
Max. Rated VA (Volt-Amp)	548	542	527	527	524	524	524
Efficiency (%) at Max. Rated Output Wattage	87.5	88.5	91	91	91.5	91.5	91.5
Power Factor	0.97	0.97	0.97	0.97	0.97	0.97	0.97
Leakage Current (mA)	0.42	0.50	0.83	0.87	0.92	0.96	1.00
Max. Inrush Current (A peak)	30	30	30	30	30	30	30
Max. Inrush Current duration (mS)	20	20	20	20	20	20	20
Maximum British Thermal Unit Rating (BTU-Hr)	1794	1773	1725	1725	1715	1715	1715

HP 750W Power Supply							
Part Number - AC 750W PSU	512327-B21						
Input Voltage Range (Vrms)	100 to 240						
Frequency Range (Nominal) (Hz)	50/60						
Nominal Input Voltage (Vrms)	100	120	208	200	220	230	240
Maximum Rated Output Wattage	750	750	750	750	750	750	750
Nominal Input Current (A rms)	8.9	7.4	4.3	4.1	3.9	3.7	3.6
Max Rated Input Wattage Rating (Watts)	857	847	824	825	820	820	820
Max. Rated VA (Volt-Amp)	894	884	859	859	854	854	854
Efficiency (%) at Max. Rated Output Wattage	87.5	88.5	91	91	91.5	91.5	91.5
Power Factor	0.97	0.97	0.97	0.97	0.97	0.97	0.97
Leakage Current (mA)	0.42	0.50	0.83	0.87	0.92	0.96	1.00
Max. Inrush Current (A peak)	30	30	30	30	30	30	30
Max. Inrush Current duration (mS)	20	20	20	20	20	20	20
Maximum British Thermal Unit Rating (BTU-Hr)	2925	2892	2812	2812	2797	2797	2797



Power Specifications

HP 460W Platinum Power Supply Part Number - AC 460W PSU	593188-B21						
Input Voltage Range (Vrms)	100 to 240						
Frequency Range (Nominal) (Hz)	50/60						
Nominal Input Voltage (Vrms)	100	120	208	200	220	230	240
Maximum Rated Output Wattage	460	460	460	460	460	460	460
Nominal Input Current (A rms)	5.3	4.3	2.5	2.4	2.3	2.2	2.1
Max Rated Input Wattage Rating (Watts)	512	505	493	493	492	492	491
Max. Rated VA (Volt-Amp)	526	518	506	506	505	505	504
Efficiency (%) at Max. Rated Output Wattage	89.8	91.2	93.2	93.3	93.5	93.6	93.6
Power Factor	0.985						
Leakage Current (mA)	0.42	0.50	0.83	0.87	0.92	0.96	1.00
Max. Inrush Current (A peak)	30						
Max. Inrush Current duration (mS)	20						
Maximum British Thermal Unit Rating (BTU-Hr)	1747	1722	1683	1682	1679	1678	1677

HP 750W Platinum Power Supply Part Number - AC 460W PSU	593831-B21						
Input Voltage Range (Vrms)	100 to 240						
Frequency Range (Nominal) (Hz)	50/60						
Nominal Input Voltage (Vrms)	100	120	208	200	220	230	240
Maximum Rated Output Wattage	750	750	750	750	750	750	750
Nominal Input Current (A rms)	8.6	7.1	4.2	4.0	3.8	3.6	3.4
Max Rated Input Wattage Rating (Watts)	841	828	809	808	807	806	805
Max. Rated VA (Volt-Amp)	863	850	830	829	828	827	826
Efficiency (%) at Max. Rated Output Wattage	89.2	90.6	92.7	92.8	93.0	93.1	93.2
Power Factor	0.985						
Leakage Current (mA)	0.42	0.50	0.83	0.87	0.92	0.96	1.00
Max. Inrush Current (A peak)	30						
Max. Inrush Current duration (mS)	20						
Maximum British Thermal Unit Rating (BTU-Hr)	2868	2825	2761	2757	2753	2749	2747

Optional Power Cords and Jumper Cords

HP 2m 15A C20 C13 Universal Jumper Cord

AF590A



Technical Specifications

System Unit	Dimensions (H x W x D) (with bezel)	3.45" x 17.64" x 28.23" in (8.76 x 44.80 x 71.71 cm)	
	Weight (approximate)	Maximum (all hard drives, power supplies, and processors installed)	45.0 lb (16.80 kg)
		Minimum (one hard drive, power supply, and processor installed)	32.0 lb (11.94 kg)
	Input Requirements (per power supply)	Rated Line Voltage	90 -- 132 VAC, 180 - 264 V
		Rated Input Current	460 Watt 750 Watt
			7.1 A (at 120 VAC) 3.5 A (at 240 VAC) 7.4 A (at 120 VAC) 3.6 A (at 240 VAC)
		Rated Input Frequency	50 to 60 Hz
		Rated Input Power	460 & 750 watt - 852 W
	BTU Rating	Maximum	460 Watt 750 Watts
			1773 BTU/hr (at 120 VAC) 1715 BTU/hr (at 240 VAC) 2892 BTU/hr (at 120 VAC) 2797 BTU/hr (at 240 VAC)
	Power Specifications	To review typical system power ratings use the Power Advisor which is available via the online tool located at URL: www.hp.com/go/proliant-energy-efficient	
		<ul style="list-style-type: none"> ● Click on the system of interest. Example: DL180 G6 ● Follow the instructions of the next screens. 	
	Power Supply Output (per power supply)	Rated Steady-State Power	460 W (at 100 VAC) 750 W (at 100 VAC) 460 W (at 200 VAC) 750 W (at 200 VAC)
		Maximum Peak Power	460 W (at 100 VAC) 750 W (at 100 VAC) 460 W (at 200 VAC) 750 W (at 200 VAC)
	System Inlet Temperature	Operating	10° to 35°C (50° to 95°F) at sea level with an altitude derating of 1.0°C per every 305 m (1.8°F per every 1000 ft) above sea level to a maximum of 3050 m (10,000 ft), no direct sustained sunlight. Maximum rate of change is 10°C/hr (18°F/hr). The upper limit may be limited by the type and number of options installed.



Technical Specifications

		System performance may be reduced if operating with a fan fault or above 30°C (86°F).
	Non-operating	-30° to 60°C (-22° to 140°F). Maximum rate of change is 20°C/hr (36°F/hr).
Relative Humidity (non-condensing)	Operating	10 to 90% relative humidity (Rh), 28°C (82.4°F) maximum wet bulb temperature, non-condensing.
	Non-operating	5 to 95% relative humidity (Rh), 38.7°C (101.7°F) maximum wet bulb temperature, non-condensing.
Altitude	Operating	3050 m (10,000 ft). This value may be limited by the type and number of options installed. Maximum allowable altitude change rate is 457 m/min (1500 ft/min).
	Non-operating	9144 m (30,000 ft). Maximum allowable altitude change rate is 457 m/min (1500 ft/min).
Acoustic Noise		Listed are the declared A-Weighted sound power levels (LWAd) and declared average bystander position A-Weighted sound pressure levels (LpAm) when the product is operating in a 23°C ambient environment. Noise emissions were measured in accordance with ISO 7779 (ECMA 74) and declared in accordance with ISO 9296 (ECMA 109).
	Idle	
		LWAd 5.3 B
		LpAm 38 dBA
	Operating	
		LWAd 5.3 B
		LpAm 38 dBA

NC362i Integrated Dual Port Gigabit Server Adapter	Network Interface	Integrated 10/100/1000BASE-T Transceiver	
		Combines a triple-speed IEEE 802.3TM - Compliant Media Access Controller (MAC) with a triple-speed Ethernet transceiver.	
	Data Transfer Method	Compliant to x1 PCIe Specification	
	Controller	Intel® 82576	
	Network Transfer Rate	10Base-T (Half-Duplex)	10 Mb/s
		10Base-T (Full-Duplex)	20 Mb/s
		100Base-TX (Half-Duplex)	100 Mb/s
100Base-TX (Full-Duplex)		200 Mb/s	
1000Base-TX (Half and Full-Duplex)		2000 Mb/s	
Connector	RJ-45		
Cable Support	Performs all the physical layer functions for 10BASE-T, 100BASE-T, and 1000BASE-T Ethernet on standard Category 5 UT		



Technical Specifications

<p>HP 160GB 3G SATA 7.2K rpm LFF (3.5-inch) Entry 1yr Warranty Hard Drive 458945-B21</p>	<p>160GB 7,200 rpm</p>	<p>Capacity 160,041MB Height 1.04 in (26.4 mm) Width 4.36 in (110.7 mm) Depth 7.25 in (184.2 mm) Interface Serial ATA Transfer Rate (Maximum) 3Gb/s Native Command Queuing Supported Seek Time (typical reads, including settling) Single Track 2.0 ms Average <11 ms Full-Stroke 23.0 ms Rotational Speed 7,200 rpm Physical Configuration Bytes/Sector 512 Logical Blocks 312,581,808 Operating Temperature 41° to 131° F (5° to 55° C)</p>
--	------------------------	--

<p>Smart Array P212 Controller</p>	<p>Disk Drive and Enclosure Interface SAS Connectors Cache Memory Speed Server Interface SAS Speed Cache Memory Logical Drives Supported Host Memory Addressing RAID Support</p>	<p>3G SAS (Serial Attached SCSI) 1.5G SATA (Serial ATA) 1 internal/1 external (Mini-SAS) x8 wide port connectors DDR-2/533 MHz with 40 or 72-bit wide bus provides up to 4.2 GB/s maximum bandwidth. x8 2.5G PCIe 2.0 provides 2GB/s maximum bandwidth. x8 3G SAS provides 2.4GB/s maximum bandwidth. 40-bit 256MB ECC protected cache; transportable with battery-backed upgrade. NOTE: The 256MB cache is not battery-backed or transportable. Up to 32 logical volumes 64-bit, supporting greater than 4GB server memory space RAID 6, 6+0 (Advanced Data Guarding) NOTE: A minimum of 256 MB cache, battery kit, and Smart Array Advanced Pack License Key upgrade is required to enable RAID 6, 6+0 RAID 5, 5+0 (Distributed Data Guarding) NOTE: The 256 MB & Battery Kit upgrade is required to enable RAID 5, 5+0 support RAID 1, 1+0 (Striping & Mirroring) RAID 0 (Striping)</p>
--	--	---



Technical Specifications

Smart Array P410/410i Controller	Disk Drive and Enclosure Interface	6Gb/s SAS (Serial Attached SCSI) 3Gb/s SATA (Serial ATA)
	SAS Connectors	2 internal (Mini-SAS) x8 wide port connectors
	Cache Memory Speed	DDR2-533MHz with 40 or 72-bit wide bus provides up to 4.2 GB/s maximum bandwidth.
	Server Interface	x8 2.5G PCIe 2.0 provides 2GB/s maximum bandwidth
	SAS Speed	x8 6Gb/s SAS provides 24.8GB/s maximum bandwidth
	Cache Memory	40-bit 256MB ECC protected cache (72-bit 512MB BBWC module upgrades available); transportable with battery-backed upgrade
	Logical Drives Supported	Up to 64 logical drives
	Host Memory Addressing	64-bit, supporting greater than 4GB server memory space
	RAID Support	RAID 6, 6+0 (Advanced Data Guarding) NOTE: The minimum of 256 MB cache, battery kit, and Smart Array Advanced Pack License Key upgrade is required to enable RAID 6, 6+0 RAID 5, 5+0 (Distributed Data Guarding) NOTE: The 256 MB is required to enable RAID 5, 5+0 support of the Smart Array P410i RAID 1+0 (Striping & Mirroring) RAID 0 (Striping)

Environment-friendly Products and Approach	End-of-life Management and Recycling	Hewlett-Packard offers end-of-life HP product return, trade-in, and recycling programs in many geographic areas. For trade-in information, please go to: http://www.hp.com/go/green . To recycle your product, please go to: http://www.hp.com/go/green or contact your nearest HP sales office. Products returned to HP will be recycled, recovered or disposed of in a responsible manner.
--	--------------------------------------	--

The EU WEEE directive (2002/95/EC) requires manufacturers to provide treatment information for each product type for use by treatment facilities. This information (product disassembly instructions) is posted on the Hewlett Packard web site at: <http://www.hp.com/go/green>. These instructions may be used by recyclers and other WEEE treatment facilities as well as HP OEM customers who integrate and re-sell HP equipment.

© Copyright 2010 Hewlett-Packard Development Company, L.P.

The information contained herein is subject to change without notice.

Microsoft and Windows NT are US registered trademarks of Microsoft Corporation.

Intel, the Intel logo, Xeon and Xeon Inside are trademarks of Intel Corporation in the U.S. and other countries.

The only warranties for HP products and services are set forth in the express warranty statements accompanying such products and services. Nothing herein should be construed as constituting an additional warranty. HP shall not be liable for technical or editorial errors or omissions contained herein.

For hard drives, 1GB = 1 billion bytes. Actual formatted capacity is less.

