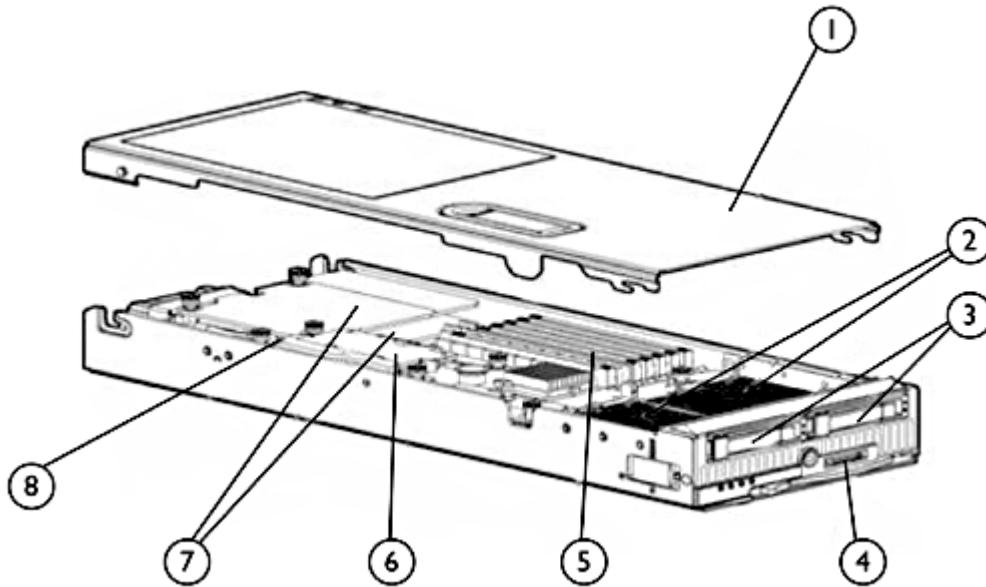


Overview



HP ProLiant BL460c Server Blade

- | | |
|--|---|
| 1. Access Panel | 5. Eight (8) PC2-5300, Fully Buffered DIMMs (DDR2-667) Memory Slots |
| 2. Up to two Intel® Xeon® 5000 Sequence processors | 6. HP Smart Array E200i Controller with optional battery-backed write cache (standard BTO models) |
| 3. Small form factor (SFF) hot-plug drive bays (standard BTO models) | 7. Two Mezzanine slots |
| 4. Local I/O connector | 8. Internal USB Connector (standard BTO models) |

At A Glance

This document covers the HP ProLiant BL460c server blade only. For more information on HP BladeSystems c-Class Infrastructure and HP BladeSystem c-Class Interconnect Components, please see the following QuickSpecs:

HP BladeSystem c-Class Enclosures QuickSpecs:

HP BladeSystem c3000 Enclosure QuickSpecs:

http://h18000.www1.hp.com/products/quickspecs/12790_na/12790_na.html

HP BladeSystem c7000 Enclosure QuickSpecs:

http://h18000.www1.hp.com/products/quickspecs/12810_na/12810_na.html

HP BladeSystem c-Class Interconnect Components QuickSpecs:

http://h18000.www1.hp.com/products/quickspecs/12524_na/12524_na.html

The HP ProLiant BL460c provides greater 2P x86 server blade density without compromise and maximum power-efficiency with flexibility and choice.

Overview

HP ProLiant BL460c server blade includes:

- **Processor:**
 - Up to two Intel® Xeon® 5400 Series processors
 - Up to two Intel® Xeon® 5200 Series processors
 - Supports up to 2 Dual-Core 3.50 GHz, 1333 MHz FSB -1X6 MB Level 2 cache memory, and up to 2 Quad-3.33 GHz 1333MHz-2x6 MB Level 2 cache memory
 - Intel 5000P chipset supporting up to a 1333 MHz Front Side Bus
- **Memory:**
 - Up to 64 GB of memory, supported by (8) slots of PC2-5300 Fully Buffered DIMMs at 667 MHz
 - **NOTE:** 64 GB of memory is supported with 80W processors and below. 64 GB of memory is not supported with 120W processors.
 - **NOTE:** Up to three 16 GB (2 x 8 GB) memory option kits or 48 GB of memory is supported with 120W processors
 - Supporting low-power memory
 - Advanced ECC memory support
 - Supporting memory interleaving (2x1); memory mirroring and online spare capacity.
- **Storage Controller:**
 - Integrated HP Smart Array E200i RAID controller with 64 MB cache (with optional battery-backed write-cache with an upgrade to 128 MB cache in standard BTO models. Supports RAID 0,1 in standard BTO models
 - **NOTE:** Drive-less model available through CTO for customers not utilizing internal disk drives and attaching directly to SAN. Please note that this model does not replace any prior model offerings. The feature listed above is not included in the standard Drive-less configure to order model. However, all configure to order models offer optional support for small form factor (SFF) hot-plug drive bays, HP Smart Array E200i Controller (with optional battery-backed write cache), and Internal USB Connector. See Factory Integrated Model section for more information.
- **Internal Drive Support:**
 - Up to 2 small form factor (SFF) SAS or SATA hot plug hard disk drives or SATA solid state drives
 - **NOTE:** Drive-less model now available through CTO for customers not utilizing internal disk drives and attaching directly to SAN. Please note that this model does not replace any prior model offerings. **The feature listed above is not included in the standard Drive-less configure to order model.** However, all configure to order models offer optional support for small form factor (SFF) hot-plug drive bays, HP Smart Array E200i Controller (with optional battery-backed write cache), and Internal USB Connector. See Factory Integrated Model section for more information.
- **Network Controller:**
 - Two (2) embedded NC373i Multifunction Gigabit Server Adapters with iSCSI boot, TCP/IP offload engine, and optional accelerated iSCSI
 - One (1) additional embedded 10/100 network adapter dedicated to iLO 2 management
 - **NOTE:** The Gigabit Ethernet adapters transmit from the server at 2000 Mbps only, full duplex per port. For more information, see the "Network Controller" item in Standards Features section.
- **Mezzanine Support:**
 - Two (2) additional I/O expansion slots via mezzanine card.
 - Supports up to two (2) mezzanine cards
 - Dual-Port Fibre Channel Mezzanine (4-Gb) options for SAN connectivity (Choice of Emulex or QLogic).
 - Wide variety of 10GbE and 1GbE network adapter options for additional network ports
 - QLogic QMH4062 Gigabit Ethernet iSCSI initiator
 - 4X DDR InfiniBand (IB) Mezzanine (20 Gb/s) options for low latency server interconnectivity (based on Mellanox technology)
 - I/O Accelerator mezzanine options for high transaction rate local storage
- **Internal USB Support:**
 - One (1) internal USB 2.0 connector for security key devices and USB drive keys in standard BTO models

Overview

- **NOTE:** Drive-less model now available through CTO for customers not utilizing internal disk drives and attaching directly to SAN. Please note that this model does not replace any prior model offerings. **The feature listed above is not included in the standard Drive-less configure to order model.** However, all configure to order models offer optional support for small form factor (SFF) hot-plug drive bays, HP Smart Array E200i Controller (with optional battery-backed write cache), and Internal USB Connector. See Factory Integrated Model section for more information.
- **Form Factor:**
 - HP ProLiant BL460c server blade plugs vertically into the BladeSystem c7000 enclosure and horizontally into the BladeSystem c3000 enclosure.
- **Infrastructure Management:**
 - HP ProLiant Onboard Administrator (powered by the Integrated Light-Out 2 management processor) for simplified server setup, health monitoring and recovery, power and thermal control, and lights-out remote administration
 - HP Insight Control, a product option, delivers essential infrastructure management that can help save time and money by making it easy to deploy, migrate, monitor, control and optimize your IT infrastructure through a single, simple management console. Insight Control supports both Windows and Linux-based central management servers.
 - HP Insight Dynamics for ProLiant, a product option, is an integrated command center that enables IT Staff personnel to continuously analyze and optimize a converged infrastructure, while automating and reducing the cost of common data center tasks by as much as 40 percent. This ultimately enables them to dynamically keep pace with the organization's changing business requirements.
- **Operating Systems:**
 - Supports Windows, RHEL, SLES, OEL, Solaris, NetWare, VMware Citrix XenServer
- **Enclosures:**
 - HP offers three different c-Class server blade enclosures to meet your individual needs:
 - The HP BladeSystem c7000 rack enclosure is 10U high and holds up to 16 ProLiant BL460c servers plugged vertically.
 - The HP BladeSystem c3000 rack enclosure is 6U high and holds up to 8 HP ProLiant BL460c servers plugged horizontally.
 - The HP BladeSystem c3000 tower enclosure is designed with casters for sites without racks and holds up to 8 HP ProLiant BL460c servers plugged vertically.
 - Server blades, storage blades, interconnect modules, power supplies, fans, and redundant Onboard Administrator modules are all designed to fit into the c3000 and c7000 enclosures.
- For additional enclosure information, please see: <http://h18004.www1.hp.com/products/blades/components/enclosures/c-class/index.html>.
- **Warranty:**
 - This product is covered by a global limited warranty and supported by HP Services and a worldwide network of HP Authorized Channel Partners. Hardware diagnostic support and repair is available for three years from date of purchase. Support for software and initial setup is available for 90 days from date of purchase. Enhancements to warranty services are available through HP Care Pack services or customized service agreements. Certain restrictions and exclusions apply. Hard drives have either a one year or three year warranty; refer to the specific hard drive QuickSpecs for details.
NOTE: Server warranty includes 3 year Parts, 3 year Labor, 3-year on-site support. Warranty repairs may be accomplished through the use of Customer Self Repair (CSR) parts. These parts fall into two categories: 1) Mandatory CSR parts are designed for easy replacement. A travel and labor charge will result when customers decline to replace a Mandatory CSR part; 2) Optional CSR parts are also designed for easy replacement but may involve added complexity. Customers may choose to have HP replace Optional CSR parts at no charge. Additional information regarding worldwide limited warranty and technical support is available at: <http://h18004.www1.hp.com/products/servers/platforms/warranty/index.html>

Standard Features

NOTE: For a brief, printer friendly data sheet that describes this product and informs you of the essential capabilities and specifications, please visit: <http://h71028.www7.hp.com/erc/downloads/4AA0-6087enw.pdf>.

Processor

Quad-Core Processor Option Kits

Intel® Xeon® Processor X5470 (3.33 GHz, 1333 FSB, 120W)

NOTE: Offered through Configure-To-Order only. See Factory Integrated Models section for more details.

Intel® Xeon® Processor X5460 (3.16 GHz, 1333 FSB, 120W)

NOTE: Offered through Configure-To-Order only. See Factory Integrated Models section for more details.

Intel® Xeon® Processor X5450 (3.00 GHz, 1333 FSB, 120W)

NOTE: Offered through Configure-To-Order only. See Factory Integrated Models section for more details.

Intel® Xeon® Processor E5450 (3.0 GHz, 1333 FSB, 80W)

Intel® Xeon® Processor E5440 (2.83 GHz, 1333 FSB, 80W)

Intel® Xeon® Processor E5430 (2.66 GHz, 1333 FSB, 80W)

Intel® Xeon® Processor E5420 (2.50 GHz, 1333 FSB, 80W)

Intel® Xeon® Processor L5420 (2.50 GHz, 1333 FSB, 50W, LV)

Intel® Xeon® Processor E5410 (2.33 GHz, 1333 FSB, 80W)

NOTE: Offered through Configure-To-Order only. See Factory Integrated Models section for more details.

Intel® Xeon® Processor L5410 (2.33GHz, 1333FSB, 50W, LV)

NOTE: Offered through Configure-To-Order only. See Factory Integrated Models section for more details.

Intel® Xeon® Processor E5405 (2.0 GHz, 1333 FSB, 80W)

Intel® Xeon® Processor X5365 (3.00 GHz, 1333 FSB, 120 W)

Intel® Xeon® Processor X5355 (2.66 GHz, 1333 FSB, 120 W)

Intel® Xeon® Processor E5345 (2.33 GHz, 1333 FSB, 80 W)

Intel® Xeon® Processor E5335 (2.00 GHz, 1333 FSB, 80 W)

Intel® Xeon® Processor L5335 (2.00 GHz, 1333 FSB, 50 W, LV)

Intel® Xeon® Processor L5320 (1.86 GHz, 1066 FSB, 50 W, LV)

Intel® Xeon® Processor L5320 (1.86 GHz, 1066 FSB, 50 W, LV)

Dual-Core Processor Option Kits

Intel® Xeon® processor X5270 (3.50 GHz, 1333 FSB, 80W)

NOTE: Offered through Configure-To-Order only. See Factory Integrated Models section for more details.

Intel® Xeon® processor X5260 (3.33 GHz, 1333 FSB, 80W)

Intel® Xeon® processor L5240 (3.00 GHz, 1333 FSB, 40 W, LV)

Intel® Xeon® processor E5205 (1.86GHz, 1333 FSB, 65W)

NOTE: Intel 5400 and 5200 Series processors are 64-bit and support Intel VT. Intel. 5200 Series processors are dual-core; Intel 5400 series processors are quad-core.

NOTE: For the Intel 5200 and 5400 Series, the letter preceding the model number indicates the performance/wattage of the processor. "X" denotes High Performance/Wattage; "E" denotes Enterprise Performance/Wattage (Mainstream); and "L" denotes Lower Wattage.

Standard Features

Upgradeability	Upgradeable to 2 processors Future upgradeable to Xeon® Series 5400/5300 Quad-Core processors (Please contact your regional sales support to determine quad core upgradeability. Some of the earlier shipping models may not support this upgrade). 5100 Dual-Core models are not upgradeable to the 5200 Dual-Core processors.	
Cache Memory	2 x 6 MB shared L2 cache (5400 Series) 1 x 6 MB L2 cache (5200 Series)	
Chipset	Intel® 5000P Chipset	
Memory	Type	PC2-5300 Fully Buffered DIMMs at 667 MHz
	Standard	1 GB (2 x 512 MB) 2 GB (2 x 1 GB)
	Maximum	64 GB (8 x 8 GB) NOTE: Memory must be installed in pairs. NOTE: 64GB of memory is supported with 80W processors and below. 64GB of memory is NOT supported with 120W processors. NOTE: Up to three 16GB (2 x 8 GB) of memory is supported with 120W processors
Network Controller	Two (2) embedded NC373i Multifunction Gigabit Server Adapters with iSCSI boot, TCP/IP offload engine, and optional accelerated iSCSI One (1) additional 10/100 NIC dedicated to iLO 2 Management NOTE: The Gigabit Ethernet adapters transmit from the server at 2000 Mbps, full duplex per port only. However, within a Linux environment, the speed can be reduced or "throttled" using a feature available within the Linux operating system; see the white paper at: http://h71028.www7.hp.com/ERC/downloads/4AA1-5513ENW.pdf for more information.	
Multifunction Networking	The embedded multifunction NC373i adapters combine standard Gigabit Ethernet networking, TCP/IP offload engine (TOE), iSCSI boot and optional accelerated iSCSI into a single adapter. <ul style="list-style-type: none">• TOE moves the processing of data in the TCP protocol stack from the server CPU to the network card, freeing CPU cycles for other activities. With TOE, network communications are improved, and server efficiency is increased. The NC373i offers TOE for Microsoft® Windows 2000 and 2003 environments.• The iSCSI network boot (iSCSI boot) allows the BL460c to boot from a remote operating system (OS) image located on a storage area network (SAN). The BL460c uses an iSCSI firmware image (iSCSI boot option ROM) making the remote disk drive appear as a local, bootable C: drive. The BL460c is configured to connect to and boot from the iSCSI target disk on the network and download the OS image from the iSCSI target disk. The iSCSI boot option ROM is supplied by HP at no cost. The additional cost and mezzanine slot usage of an add-in iSCSI HBA card is not required. Additionally, the HP iSCSI boot solution includes scripts to significantly simplify the installation process.• The accelerated iSCSI feature of the embedded multifunction adapter requires the HP Accelerated iSCSI Pack. For more information, please see the QuickSpecs at	

Standard Features

http://h18000.www1.hp.com/products/quickspecs/12466_na/12466_na.html

I/O Expansion Slots	Two I/O expansion mezzanine slots (one x8 and one x4)		
----------------------------	---	--	--

Integrated Manageability	HP ProLiant Onboard Administrator (includes but not limited to functionality in Integrated Lights-Out 2 (iLO 2) Standard Blade Edition (integrated on motherboard))		
---------------------------------	---	--	--

Storage Controller	HP Smart Array E200i Controller	64 MB memory module supports RAID 0,1 Available upgrades: 128 MB with Battery-backed write cache	
	NOTE: For customers who choose to configure a driveless model via CTO, a storage controller is not required. See Factory Integrated Models section for more information.		

Maximum Internal Storage	Hot Plug SAS	600GB SAS	2 x 300GB Serial SCSI
	Hot Plug SATA	1TB SATA	2 x 500GB Serial ATA
	NOTE: For customers who choose to configure a driveless model via CTO, internal storage is not required. See Factory Integrated Models section for more information.		

Graphics	Integrated ATI RN-50, 32 MB video memory		
-----------------	--	--	--

Graphics Resolution Supported	Resolution Color Depths	1600 x 1200, 64K, 256, 16 1280 x 1024, 16.7M, 64k, 256, 16 1024 x 768, 16.7M, 64k, 256, 16 800 x 600, 16.7M, 64k, 256, 16 640 x 480, 16.7M, 64k, 256, 16	
	NOTE: Maximum resolution available via ProLiant Onboard Administrator remote console is 1280 x 1024.		

Fibre Channel Support	Two optional Fibre Channel HBAs are supported by the HP ProLiant BL460c. Both mezzanine circuit boards connect directly to the server blade system board. These Fibre Channel HBAs are available via option kits and must be ordered separately. Two option kits Emulex LPe1105-HP 4Gb FC HBA for HP c-Class BladeSystem (403621-B21) <ul style="list-style-type: none">Based on the same field-proven ASIC, firmware, and driver technology as Emulex's renowned LPe1150 HBA, the Emulex LPe1105-HP is fully driver compatible with all Emulex HBAs QLogic QMH2462 4Gb FC HBA for HP c-Class BladeSystem (403619-B21) <ul style="list-style-type: none">Uses common drivers which means that customers can standardize on one QLogic driver whether they are using the QMH2462 or other 4Gb and 2Gb HBAs powered by QLogic Emulex and QLogic Fibre Channel HBAs feature:		
------------------------------	---	--	--

Standard Features

- Optimal performance utilizing PCI Express
- 4/2/1Gb/s auto negotiating speeds
- Dual-ports for redundant path connections
- Up to two FC HBAs per server blade providing redundant FC HBA support
- Optimized for HP StorageWorks and supported by third party SAN vendors
- Support for Microsoft® Windows® and Linux operating systems environments

Compatible SAN

HP ProLiant BL460c server blades are optimized for HP StorageWorks MSA, EVA and XP

HP ProLiant 460c server blades are compatible with select 3rd party SANs (please see blade storage page for more details: <http://h18004.www1.hp.com/products/blades/components/c-class-sans.html>)

HP Virtual Connect

HP Virtual Connect simplifies server connectivity to LANs and SANs, and reduces costs. Unique HP Flex-10 technology makes maximum use of 10Gb Ethernet bandwidth by allowing multiple ports within a single Industry Standard connection that can be dynamically tuned to meet individual server requirements. HP Virtual Connect Enterprise Manager (VCEM) provides a central console to administer connections and workloads for thousands of servers. For more information on Virtual Connect Ethernet, Fibre Channel and management options see: www.hp.com/go/virtualconnect

HP Insight management software

HP Insight Foundation

Managing the growing number of servers can be complex and expensive for your organization. IT managers need to address changing business needs with tools that meet the challenges of managing today's complex Datacenters.

HP provides management solutions that are designed to simplify a server's installation, configuration and maintenance throughout the entire server lifecycle. This provides the customer with higher levels of operational efficiency and highly reliable systems: www.hp.com/go/foundation. The foundation pack includes:

- HP SmartStart
- HP Management
- HP ProLiant Firmware Maintenance

SmartStart version supported (minimum): SmartStart 8.00
<http://www.hp.com/servers/smartstart>

ProLiant Onboard Administrator

HP ProLiant Onboard Administrator (powered by the HP Integrated Lights-Out 2 management processor) simplifies server setup, health monitoring, power and thermal control, and lights-out remote administration of ProLiant ML, DL, and BL servers. HP ProLiant Onboard Administrator functions without additional software, and can be accessed from any location via a web browser. It works hand-in-hand with HP Systems Insight Manager, Insight Control suites, and the Insight Dynamics-VSE suite helping customers unlock the value of the ProLiant platform and deliver the highest possible quality of IT service to the business.

See www.hp.com/go/ProLiantOA

HP Insight Control

HP Insight Control, as product option, delivers essential infrastructure management that can help save time and money by making it easy to



Standard Features

deploy, migrate, monitor, remote control, and optimize your IT infrastructure through a single, simple management console.

Two versions of Insight Control are available, to serve environments requiring either a Linux-based or a Windows-based central management server: HP Insight Control for Linux, and HP Insight Control. See <http://www.hp.com/go/insightcontrol>

HP Insight Control includes one year of 24 x 7 HP Software Technical Support and Update Service ensuring rapid access to HP support staff and proactive delivery of software updates. For more information about this service, please visit: <http://www.hp.com/services/insight>.

HP Insight Dynamics for ProLiant

HP Insight Dynamics for ProLiant, a product option, is an integrated command center that enables IT Staff personnel to continuously analyze and optimize a converged infrastructure, while automating and reducing the cost of common data center tasks by as much as 40 percent. As a powerfully integrated by design toolkit to accelerate complex technology projects and simplify daily operations that ultimately enable IT Staff personnel to dynamically keep pace with the organizations changing business requirements. It enables them to plan capacity and power continuously, balance across physical and virtual resources, and ensure cost-effective high availability. It also enables IT organizations to provision infrastructure consistently and automatically from pools of shared resources using a self-service portal. Resources provisioned can range from a single virtual machine to complex multi-tier environments and their associated physical and virtual resource requirements. In addition to the previous functional benefits, it also provides a cost-effective disaster recovery for physical and virtual environments that works with HP StorageWorks Continuous Access software for both the Enterprise Virtual Array and the XP storage array allowing application environments to be reactivated in minutes with the touch of a button to a remote location.

NOTE: For more information, visit: <http://www.hp.com/go/insightdynamics>

Operating Systems and Virtualization Software Support for ProLiant Servers

Microsoft Windows Server
Microsoft Windows Server Hyper V
Red Hat Enterprise Linux (RHEL)
SUSE Linux Enterprise Server (SLES)
Oracle Enterprise Linux (OEL)
Solaris 10 for x86/x64 based Systems
NetWare
VMware
Citrix XenServer

NOTE: For more information on HP's Certified and Supported ProLiant Servers for OS and Virtualization Software and latest listing of software drivers available for your server, please visit our Support Matrix at: <http://www.hp.com/go/supportos>.

Standard Features

Availability

- Dual-Port Fibre Channel Mezzanine Card for redundant SAN connection
- Two (2) embedded Gigabit Ethernet adapters for redundant LAN connections Two (2) hot-plug SAS/SATA drive bays and integrated RAID (HP Smart Array E200i) controller on every BTO model server blade (Battery-backed write cache is optional.)*
- Redundant ROM on each server blade
- Advanced ECC Memory - can correct a multi-bit error (up to 4 bits) that occurs within one memory chip
- Memory Mirroring
- Memory Online Spare Capacity
- Network adapter teaming (network fault tolerance, transmit load balancing, switch-assisted load balancing)

* For customers who choose to configure a driveless model via CTO, these features are not required. See [Factory Integrated Models](#) section for more information.

Industry Standard Compliance

ACPI 2.0 Compliant
PCI 2.2 Compliant
WOL Support
Microsoft® Logo certifications
USB 2.0 Support

Security

- One (1) internal USB 2.0 connector for security key devices and USB drive keys on every BTO model server blade*
- Power-on password
- Administrator's password
- Integrated Lights-Out 2 has 12 customizable user accounts and SSL encryption
- Integrated Lights-Out 2 can be disabled via a Global Setting

* For customers who choose to configure a driveless model via CTO, internal USB connectors are not available unless 447711-B21 is selected. See [Factory Integrated Models](#) section for more information.

Factory Express Portfolio for Servers and Storage

HP Factory Express offers configuration, customization, integration and deployment services for HP servers and storage products. Customers can choose how their factory solutions are built, tested, integrated, shipped and deployed.

Factory Express offers service packages for simple configuration, racking, installation, complex configuration and design services as well as individual factory services, such as image loading, asset tagging, and custom packaging. HP products supported through Factory Express include a wide array of servers and storage: HP Integrity, HP ProLiant, HP ProLiant Server Blades, HP BladeSystem, HP 9000 servers as well as the MSAxxx, VA7xxx, EVA, XP, rackable tape libraries and configurable network switches.

For more information on Factory Express services on your specific server model please contact your sales representative or go to <http://www.hp.com/go/factory-express>.

Standard Features

HP Enterprise Configurator

The HP eConfigure Enterprise Configurator now provides factory default racking for our HP hardware portfolio. This approach is aligned with our strategic direction to meet the needs and expectations of our valued customers. If you require "custom" rack configuration, please contact HP's Customer Business Center or an Authorized Partner for assistance. <http://www.hp.com/products/configurator>

NOTE: This feature is not supported in the NEW Drive-less model which is available through CTO for those who do not utilize internal hard disk drives and attach to SAN.

Service and Support

HP Care Pack services provide total care and support expertise with committed response designed to meet your IT and business needs.

The HP Care Pack service for HP ProLiant BL c-Class server blades, cover the server blade and all HP branded hardware options qualified for the server, purchased at the same time or afterwards, internal to the server.

To fully capitalize on your HP BladeSystem servers' capabilities requires a service partner who thoroughly understands your server technology and systems environment. HP Services, an industry leader in provision of multi vender support solutions provides a range of support services designed to meet the varying needs of business. Whether an SMB or large global corporation HP has a HP BladeSystem server support offer to help you speedily deploy and maximize system uptime.

Recommended Service – Simplify ProLiant solution implementation, maintenance and management.

- **Support Service** – 4-Hour Response Coverage, 3-Year, 24 x 7, Same Business Day
- **Deployment Service** – Installation and Start Up for HP BladeSystem Infrastructure

Enhanced Service - Optimize service level to increase IT performance and availability

- **Support Service** – HP Proactive BladeSystem Service, 1-Year
- **Deployment Service** – Enhanced Network Installation and Start-up for HP BladeSystem Switches

Installation & Start-Up service for HP BladeSystem Infrastructure plus HP BladeSystem Enhanced Network Installation and Start-UP as per the Customer Description and/or Data Sheet. To be delivered on a scheduled basis 8am-5pm, M-F, excluding HP holidays.

For a complete listing of service offerings and information visit:

<http://www.hp.com/services/bladessystemservices>

<http://h20219.www2.hp.com/services/us/en/always-on/servers-bladesystem.html>

Models

Quad-Core Models

<p>HP ProLiant BL460c E5450 2G (1P) 459483-B21</p>	<p>Processor(s) One of the following depending on model</p>	<p>(1) Intel® Xeon® Processor E5450 (3.00 GHz, 1333 FSB, 80W) (1) Intel® Xeon® Processor E5440 (2.83 GHz, 1333 FSB, 80W) (1) Intel® Xeon® Processor E5430 (2.66 GHz, 1333 FSB, 80W) (1) Intel® Xeon® Processor E5420 (2.50 GHz, 1333 FSB, 80W) (1) Intel® Xeon® Processor L5420 (2.50 GHz, 1333 FSB, 50W) (1) Intel® Xeon® Processor L5410 (2.33 GHz, 1333 FSB, 50W) (1) Intel® Xeon® Processor E5405 (2.00 GHz, 1333 FSB, 80W)</p>
<p>HP ProLiant BL460c E5440 2G (1P) 459484-B21</p>		
<p>HP ProLiant BL460c E5430 2G (1P) 459485-B21</p>	<p>Cache Memory</p>	<p>2 x 6 MB Level 2 cache (5400 Series) 2 x 4 MB Level 2 cache (5300 Series)</p>
<p>HP ProLiant BL460c E5420 2G (1P) 459486-B21</p>	<p>Memory One of the following depending on model</p>	<p>2 GB (2 x 1 GB) PC2-5300, FBD DDR2-667 1 GB (2 x 512 MB) PC2-5300, FBD DDR2-667</p>
<p>HP ProLiant BL460c E5420 2G (1P) 459486-B21</p>	<p>Network Adapter</p>	<p>Two (2) embedded NC373i Multifunction Gigabit Server Adapters plus one (1) additional 10/100 network adapter dedicated to iLO 2 Management</p>
<p>HP ProLiant BL460c L5420 2G (1P) 462872-B21</p>	<p>Storage Controller</p>	<p>HP Smart Array E200i Controller with 64MB (optional battery-backed write cache)</p>
<p>HP ProLiant BL460c L5410 2G (1P) 462873-B21</p>	<p>Hard Drives</p>	<p>No drives included; (2) SFF SAS/SATA drive bays</p>
<p>HP ProLiant BL460c L5410 2G (1P) 462873-B21</p>	<p>Internal Storage</p>	<p>SAS: 600GB SATA: 500GB</p>
<p>HP ProLiant BL460c E5405 1G (1P) 459487-B21</p>	<p>Optical Drive</p>	<p>None</p>
	<p>Form Factor</p>	<p>Up to 8 half-height blades supported in HP BladeSystem c3000 Enclosure Up to 16 half-height blades supported in HP BladeSystem c7000 Enclosure</p>

Dual-Core Models

<p>HP ProLiant BL460c X5260 2G, (1P) 461603-B21</p>	<p>Processor(s) One of the following depending on model</p>	<p>(1) Intel® Xeon® processor X5260 (3.3 GHz, 1333 FSB, 80 W) (1) Intel® Xeon® processor L5240 (3.00 GHz, 1333 FSB, 40 W, LV) (1) Intel® Xeon® processor E5205 (1.86 GHz, 1333 FSB, 65 W)</p>
<p>HP ProLiant BL460c L5240 2G, (1P) 461604-B21</p>	<p>Cache Memory</p>	<p>1 x 6 MB Level 2 cache memory (5200 Series)</p>
<p>HP ProLiant BL460c L5240 2G, (1P) 461604-B21</p>	<p>Memory One of the following depending on model</p>	<p>2 GB (2 x 1 GB) PC2-5300, FBD DDR2-667 1 GB (2 x 512 MB) PC2-5300, FBD DDR2-667</p>
<p>HP ProLiant BL460c E5205 1G, (1P) 461605-B21</p>	<p>Network Adapter</p>	<p>Two (2) embedded NC373i Multifunction Gigabit Server Adapters plus one (1) additional 10/100 network adapter dedicated to iLO 2 Management</p>
<p>HP ProLiant BL460c E5205 1G, (1P) 461605-B21</p>	<p>Storage Controller</p>	<p>HP Smart Array E200i Controller with 64MB (optional 128 MB battery-backed write cache)</p>
<p>HP ProLiant BL460c E5205 1G, (1P) 461605-B21</p>	<p>Hard Drives</p>	<p>No drives included; (2) SFF SAS/SATA drive bays</p>
<p>HP ProLiant BL460c E5205 1G, (1P) 461605-B21</p>	<p>Internal Storage</p>	<p>SAS: 600GB SATA: 500GB</p>
<p>HP ProLiant BL460c E5205 1G, (1P) 461605-B21</p>	<p>Optical Drive</p>	<p>None</p>
<p>HP ProLiant BL460c E5205 1G, (1P) 461605-B21</p>	<p>Form Factor</p>	<p>Up to 8 half-height blades supported in HP BladeSystem c3000 Enclosure Up to 16 half-height blades supported in HP BladeSystem c7000 Enclosure</p>

Smart Buy

The ProLiant Smart Buy program offers a collection of promotional server and option products that are configured with SMB in mind, offered at discounted prices, and positioned for quick delivery. Smart Buy server offers are available for a limited time only.

For a full listing of ProLiant Smart Buys available for all server families, visit <http://www.hp.com/go/smartbuy/server/specs>

S-Buy BL460c E5345 461273-001	Processor	(1) Quad Core Intel Xeon Processor E5345 (2.33GHz, 1333 FSB)
	Cache Memory	2x4 MB Level 2 cache
	Memory	4 GB (2 x 2 GB) PC2-5300, FBD (DDR2-667)
	Network Adapter	Two (2) embedded NC373i Multifunction Gigabit Server Adapters plus one (1) additional 10/100 NIC dedicated to iLO 2 Management
	Storage controller	HP Smart Array E200i Controller with 64MB (optional 128MB battery-backed write cache)
	Hard Drives	No drives included; (2) SFF SAS/SATA drive bays
	Internal Storage	292GB SAS 240GB SATA
	Optical Drive	None
	Form Factor	Up to 8 half-height blades supported in HP BladeSystem c3000 Enclosure Up to 16 half-height blades supported in HP BladeSystem c7000 Enclosure

S-Buy BL460c E5430 485475-001	Processor	(1) Quad-Core Intel® Xeon® processor E5430 (2.66 GHz, 1333 FSB)
	Cache Memory	2 x 6 MB Level 2 cache
	Memory	4 GB (2 x 2 GB) PC2-5300, FBD (DDR2-667)
	Network Adapter	Two (2) embedded NC373i Multifunction Gigabit Server Adapters plus one (1) additional 10/100 NIC dedicated to iLO 2 Management
	Storage controller	HP Smart Array E200i Controller with 64MB (optional 128MB battery-backed write cache)
	Hard Drives	No drives included; (2) SFF SAS/SATA drive bays
	Internal Storage	292GB SAS 240GB SATA
	Optical Drive	None
	Form Factor	Up to 8 half-height blades supported in HP BladeSystem c3000 Enclosure Up to 16 half-height blades supported in HP BladeSystem c7000 Enclosure

Configuration Information - Factory Integrated Models

NOTE: This section lists some of the steps required to configure a Factory Integrated Model. To ensure only valid configurations are ordered, HP recommends the use of an HP approved configurator. Contact your local sales representative for information on CTO product offerings and requirements.

NOTE: HP does not allow factory integration of options into standard models listed above.

Configure-to-order server blades must start with a CTO Blade.

NOTE: FIO indicates that this option is a Factory Installable Option.

Step 1: Base Server Blade Configuration (Select a configurable Blade)

HP Models	<p>HP ProLiant BL460c Driveless CTO Blade 447707-B21</p> <p>Configurable Model ships with:</p> <p>Two (2) embedded NC373i Multifunction Gigabit Server Adapters plus one (1) additional 10/100 NIC dedicated to iLO 2 Management</p> <p>Integrated Lights-Out 2 Standard Blade Edition</p>
-----------	---

Step 2: Choose Required Options (one of the following from each list unless otherwise noted):

HP Processors	<p>Quad-Core Processor Option Kits</p> <p>Intel® Xeon® Processor X5470 (3.33 GHz, 1333 FSB, 120 W) FIO Option Kit 492308-L21</p> <p>Intel® Xeon® processor X5460 (3.16 GHz, 1333 FSB, 120 W) FIO Option Kit 459973-L21</p> <p>Intel® Xeon® processor X5450 (3.00 GHz, 1333 FSB, 120 W) FIO Option Kit 463056-L21</p> <p>Intel® Xeon® processor E5450 (3.00 GHz, 1333 FSB, 80 W) FIO Option Kit 459489-L21</p> <p>Intel® Xeon® processor E5440 (2.83 GHz, 1333 FSB, 80 W) FIO Option Kit 459490-L21</p> <p>Intel® Xeon® processor E5430 (2.66 GHz, 1333 FSB, 80 W) FIO Option Kit 459491-L21</p> <p>Intel® Xeon® Processor E5420 (2.50 GHz, 1333 FSB, 80 W) FIO Option Kit 459492-L21</p> <p>Intel® Xeon® Processor L5420 (2.50 GHz, 1333 FSB, 50 W, LV) FIO Option Kit 462876-L21</p> <p>Intel® Xeon® processor E5410 (2.33 GHz, 1333 FSB) FIO Option Kit 459493-L21</p> <p>Intel® Xeon® Processor L5410 (2.33 GHz, 1333 FSB, 50 W LV) FIO Option Kit 462877-L21</p> <p>Intel® Xeon® processor E5405 (2.00 GHz, 1333 FSB, 80 W) FIO Option Kit 459494-L21</p> <p>Dual-Core Processor Option Kits</p> <p>Intel® Xeon® processor X5270 (3.50 GHz, 1333 FSB, 80 W) FIO Option Kit 492309-L21</p> <p>Intel® Xeon® processor X5260 (3.33 GHz, 1333 FSB, 80 W) FIO Option Kit 461623-L21</p> <p>Intel® Xeon® processor L5240 (3.00 GHz, 1333 FSB, 40 W, LV) FIO Option Kit 461624-L21</p> <p>Intel® Xeon® processor E5205 (1.86 GHz, 1333 FSB, 65 W) FIO Option Kit 461625-L21</p>
HP Memory	<p>1 GB FBD PC2-5300 (2 x 512 MB) Kit 397409-B21</p> <p>2 GB FBD PC2-5300 (2 x 1 GB LP) Kit 461826-B21</p> <p>2 GB FBD PC2-5300 (2 x 1 GB) Kit 397411-B21</p> <p>4 GB FBD PC2-5300 (2 x 2 GB LP) Kit 461828-B21</p> <p>4 GB FBD PC2-5300 (2 x 2 GB) Kit 397413-B21</p> <p>8 GB FBD PC2-5300 (2 x 4 GB) Kit 397415-B21</p> <p>8 GB FBD PC2-5300 (2 x 4 GB LP) Kit 466440-B21</p> <p>16 GB FBD PC2-5300 (2 x 8 GB) Kit 413015-B21</p> <p>64 GB FBD PC2-5300 (8 x 8 GB) Kit 495604-B21</p>



Configuration Information - Factory Integrated Models

NOTE: Memory Option Kits described as LP include Low Power DIMMs. For more information on ProLiant Energy Efficient Features, see:

<http://h18004.www1.hp.com/products/servers/platforms/energyefficient/>

NOTE: Must be installed in pairs

NOTE: 64GB of memory is supported with 80W processors and below. 64GB of memory is Not supported with 120W processors.

NOTE: Up to three 16 GB (2 x 8 GB) memory option kits or 48 GB of memory is supported with 120W processors.

Step 3: Choose Additional Factory Integratable Options (one of the following from each list unless otherwise noted):

HP Drive Cage Options	HP ProLiant BL460c Hard Disk Drive Backplane, FIO NOTE: Includes USB connector. NOTE: The Hard Drive Backplane is required for all blades that support hard disk drives or require the internal USB 2.0 connector for security key devices, licensing or VMware ESX Server 3i.	447711-B21
HP Storage Controllers	64 MB Cache - FIO Only NOTE: Integrated HP Smart Array E200i RAID controller supporting RAID 0/1 Controller cache module selection is required for all blades that support hard disk drives. Select either the standard 64 MB module above or the optional 128 MB module below. NOTE: This option is not required when configuring a Drive-less Model.	405102-B21
	128 MB Battery-Backed Cache Enabler NOTE: Supports the HP Smart Array E200i Controller. NOTE: This option is not required when configuring a Drive-less Model.	351580-B21

Step 4: Choose Additional Options for Factory Integration

NOTE: For additional options, including server blade enclosures interconnect options and power subsystem options; please see the options section below; or the following QuickSpecs:

HP BladeSystem c3000 Enclosure QuickSpecs:

http://h18000.www1.hp.com/products/quickspecs/12790_na/12790_na.html

HP BladeSystem c7000 Enclosure QuickSpecs:

http://h18000.www1.hp.com/products/quickspecs/12810_na/12810_na.html

and HP BladeSystem c-Class Interconnect Components QuickSpecs:

http://h18000.www1.hp.com/products/quickspecs/12524_na/12524_na.html.

Core Options

NOTE: For additional "Core Options" and "Additional Options", please see the options sections below

HP Ethernet Mezzanine Options	Gigabit Ethernet Mezzanines	
	HP NC325m PCI Express Quad Port 1Gb Server Adapter for c-Class BladeSystem	416585-B21
	NOTE: If the NC325m is installed in mezzanine slot 1 of a half-height server, connectivity will be provided on 2 of the 4 ports	
	HP NC326m PCI Express Dual Port 1Gb Server Adapter for c-Class BladeSystem	406771-B21
	HP NC360m Dual Port 1GbE BL-c Adapter	445978-B21
	HP NC364m Quad Port 1GbE BL-c Adapter	447883-B21
	NOTE: If the NC364m is installed in mezzanine slot 1 of a half-height server, connectivity will be provided on only 2 of the 4 ports	
	HP NC382m Dual Port 1GbE Multifunction BL-c Adapter	453246-B21
	NOTE: The Gigabit Ethernet adapters above transmit from the server at 2000 Mbps, full duplex per port only. For more information, see the "Network Controller" segment in the Standards Features section.	
	10 Gigabit Ethernet Mezzanines	
HP NC522m Dual Port 10GbE Multifunction BL-c Adapter	467801-B21	
NOTE: The NC522m requires a minimum of 2 GB of server memory.		
NOTE: The NC522m supports linking at 1000Mbps or 10000Mbps when not connected to a Flex-10 enabled module and will link with all current 1Gb switches at 1Gb.		
HP BLc QLogic iSCSI Dual Port Adapter with Virtual Connect Kit	488074-B22	
HP NC532m Dual Port 10GbE BL-c Adapter	467799-B21	
NOTE: The NC532m network adapter card is required for each server blade connecting to a 10Gb interconnect in bays 3-8 (HP BladeSystem c7000 Enclosure) or bays 3-4 (HP BladeSystem c3000 Enclosure)		
NOTE: The NC532m requires a minimum of 2 GB of server memory		
NOTE: The NC532m will downspeed to 1Gb if paired with a 1Gb interconnect.		
<hr/>		
HP Fiber Channel Mezzanine Options	Emulex LPe1105 FC Dual Channel 4Gb, PCI-E-to-Fibre Channel Host Bus Adapter	403621-B21
	QLogic QMH2462 4Gb FC HBA for HP c-Class BladeSystem	403619-B21

Core Options

HP Processors

Quad-Core Process Option Kits

Intel® Xeon® Processor X5470 (3.33 GHz, 1333 FSB, 120W)	492308-B21
Intel® Xeon® Processor X5460 (3.16 GHz, 1333 FSB, 120 W)	459973-B21
Intel® Xeon® processor X5450 (3.00GHz 1333 FSB, 120 W)	463056-B21
Intel® Xeon® processor E5450 (3.00GHz 1333 FSB, 80 W)	459489-B21
Intel® Xeon® processor E5440 (2.83 GHz, 1333 FSB, 80 W)	459490-B21
Intel® Xeon® processor E5430 (2.66 GHz, 1333 FSB, 80 W)	459491-B21
Intel® Xeon® processor E5420 (2.50 GHz, 1333 FSB, 80 W)	459492-B21
Intel® Xeon® Processor L5420 (2.50 GHz, 1333 FSB, 50 W, LV)	462876-B21
Intel® Xeon® processor E5410 (2.33 GHz, 1333 FSB, 80 W)	459493-B21
Intel® Xeon® Processor L5410 (2.33 GHz, 1333 FSB, 50 W)	462877-B21
Intel® Xeon® processor E5405 (2.00 GHz, 1333 FSB, 80 W)	459494-B21
Intel® Xeon® Processor X5365 (3.00 GHz, 1333 FSB, 120 W)	453190-B21
Intel® Xeon® Processor X5355 (2.66 GHz, 1333 FSB, 120 W)	435565-B21
Intel® Xeon® Processor E5345 (2.33 GHz, 1333 FSB, 80 W)	435564-B21
Intel® Xeon® Processor E5335 (2.00 GHz, 1333 FSB, 80 W)	443753-B21
Intel® Xeon® Processor L5335 (2.00 GHz, 1333 FSB, 50 W, LV)	453609-B21
Intel® Xeon® Processor L5320 (1.86 GHz, 1066 FSB, 50 W, LV)	443752-B21
Intel® Xeon® Processor L5320 (1.86 GHz, 1066 FSB, 50 W, LV)	435563-B21

Dual-Core Process Option Kits

Intel® Xeon® processor X5270 (3.50 GHz, 1333 FSB, 80W)	492309-B21
Intel® Xeon® processor X5260 (3.33 GHz, 1333 FSB, 80 W) Option Kit	461623-B21
Intel® Xeon® processor L5240 (3.00 GHz, 1333 FSB, 40 W, LV) Option Kit	461624-B21
Intel® Xeon® processor E5205 (1.86 GHz, 1333 FSB, 65 W) Option Kit	461625-B21

HP Memory

1 GB FBD PC2-5300 2 x 512 MB Kit	397409-B21
2 GB FBD PC2-5300 2 x 1 GB Low Power Kit	461826-B21
2 GB FBD PC2-5300 2 x 1 GB Kit	397411-B21
4 GB FBD PC2-5300 2 x 2 GB Low Power Kit	461828-B21
4 GB FBD PC2-5300 2 x 2 GB Kit	397413-B21
8 GB FBD PC2-5300 2 x 4 GB Kit	397415-B21
8 GB FBD PC2-5300 2 x 4 GB Low Power Kit	466440-B21
16 GB FBD PC2-5300 2 x 8 GB Kit	413015-B21
64 GB FBD PC2-5300 8 x 8 GB Kit	495604-B21

NOTE: Memory Option Kits described as LP include Low Power DIMMs. For more information on ProLiant Energy Efficient Features, see:

<http://h18004.www1.hp.com/products/servers/platforms/energyefficient/>

NOTE: Must be installed in pairs.

NOTE: 64GB of memory is supported with 80W processors and below. 64GB of memory Not supported with 120W processors.

NOTE: Up to three 16 GB (2 x 8 GB) memory option kits or 48 GB of memory is supported with 120W processors.

Core Options

HP Hard Drives

NOTE: The components of a storage subsystem (e.g. the drive, the HBA/controller, firmware, and the server backplane) should operate at the same data transfer rate or the system bandwidth will be negotiated down to an acceptable level for all components.

NOTE: Hard drives have either a one year or three year warranty; refer to the specific hard drive QuickSpecs for details.

SAS Hot Plug SFF (2.5-inch) Enterprise (ENT) Drives

HP 300GB 6G SAS 10K SFF (2.5-inch) Dual Port Enterprise 3yr Warranty Hard Drive	507127-B21
HP 300GB 3G SAS 10K SFF (2.5-inch) Dual Port Enterprise 3yr Warranty Hard Drive	492620-B21
HP 146GB 6G SAS 15K SFF (2.5-inch) Dual Port Enterprise 3yr Warranty Hard Drive	512547-B21
HP 146GB 3G SAS 15K SFF (2.5-inch) Dual Port Enterprise 3yr Warranty Hard Drive	504062-B21
HP 146GB 6G SAS 10K SFF (2.5-inch) Dual Port Enterprise 3yr Warranty Hard Drive	507125-B21
HP 146GB 3G SAS 10K SFF (2.5-inch) Dual Port Enterprise 3yr Warranty Hard Drive	418367-B21
HP 72GB 6G SAS 15K SFF (2.5-inch) Dual Port Enterprise 3yr Warranty Hard Drive	512545-B21
HP 72GB 3G SAS 15K SFF (2.5-inch) Dual Port Enterprise 3yr Warranty Hard Drive	418371-B21

SAS Hot Plug SFF (2.5-inch) Midline (MDL) Drives

HP 500GB 6G SAS 7.2K rpm SFF (2.5inch) Midline 1yr Warranty Hard Drive	507610-B21
--	------------

NOTE: SAS drives have a 3 year warranty.

NOTE: Please see QuickSpecs for Technical Specifications and additional information:

http://h18000.www1.hp.com/products/quickspecs/12244_na/12244_na.html

NOTE: The hard drive options are not required when configuring a Drive-less Model.

SATA Hot Plug SFF (2.5-inch) Midline (MDL) Drives

HP 500GB 3G SATA 7.2K rpm SFF (2.5-inch) Midline 1yr Warranty Hard Drive	507750-B21
HP 160GB 3G SATA 7.2K rpm SFF (2.5-inch) Midline 1yr Warranty Hard Drive	530888-B21

SATA Hot Plug SFF (2.5-inch) Entry (ETY) Drives

HP 250GB 3G SATA 5.4K rpm SFF (2.5-inch) Entry 1yr Warranty Hard Drive	460355-B21
HP 120GB 1.5G SATA 5.4K rpm SFF (2.5-inch) Entry 1yr Warranty Hard Drive	458924-B21

Additional Options

HP Insight software	<p>Insight Control</p> <p>HP Insight Control, Electronic License, including 1 year of 24x7 Technical Support and Updates T9074BAE</p> <p>HP Insight Control, Single-Server License including 1 year of 24x7 Technical Support and Updates 452148-B22</p> <p>HP Insight Software Media Kit 436222-B21</p> <p>NOTE: Insight Software DVD media without licenses. Contains HP Systems Insight Manager, HP Insight Control, HP Insight Dynamics, HP Insight Control for Microsoft System Center, and Virtual Connect Enterprise Manager software. Uses an integrated installer to perform quick and accurate software installation and updates.</p> <p>NOTE: Licenses ship without media. The Insight Control Media Kit can be ordered separately, or can be downloaded at: http://www.hp.com/go/insightupdates.</p> <p>NOTE: Electronic licenses can be used to purchase multiple licenses with a single activation key, and are available in all countries except China and Japan. Customers in China and Japan should order the physical equivalent.</p> <p>NOTE: Customer will receive a license entitlement certificate, which must be redeemed online or via fax in order to obtain the license activation key(s). Includes one year of 24 x 7 HP Software Technical Support Service.</p> <p>NOTE: For additional license kits please see the Insight Control QuickSpecs at: http://h18004.www1.hp.com/products/quickspecs/12631_na/12631_na.html</p> <p>HP Insight Control for Linux</p> <p>HP Insight Control for Linux, 1-server license, including one year of 24x7 Technical Support and Updates, Electronic TC213AAE</p> <p>HP Insight Control for Linux, No Media, 1-Server license, including one year of 24x7 Technical Support and Updates TC209A</p> <p>HP Insight Control for Linux, Media pack (DVD) - No licenses included TC208A</p> <p>NOTE: Media pack DVD contains HP Insight Control for Linux, HP Systems Insight Manager, HP Insight Control power management, HP Insight Control virtual machine management, and an integrated installer. Licenses must be acquired separately.</p> <p>NOTE: Licenses ship without media. The Media Kit for Insight Control for Linux can be ordered separately, or can be downloaded at: http://www.hp.com/go/ic-linux (click on Download button).</p> <p>NOTE: Electronic licenses can be used to purchase multiple licenses with a single activation key, and are available in all countries except China and Japan. Customers in China and Japan should order the physical equivalent.</p> <p>NOTE: Customer will receive a license entitlement certificate, which must be redeemed online or via fax in order to obtain the license activation key(s). Includes one year of 24 x 7 HP Software Technical Support Service.</p> <p>NOTE: For additional License Kits, please see the QuickSpecs at: http://h18000.www1.hp.com/products/quickspecs/13019_na/13019_na.html</p> <p>HP iLO Advanced for BladeSystem</p> <p>NOTE: Integrated Lights-out Advanced for BladeSystem licenses may only be used for HP BladeSystem servers</p> <p>HP Integrated Lights-Out Advanced for BladeSystem, No Media, Electronic License, including 1 year of 24x7 Technical Support and Updates TA851AAE</p> <p>HP Integrated Lights-Out Advanced for BladeSystem, Single-Server License, including 1 year of 24x7 Technical Support and Updates 512488-B21</p>
---------------------	--

Additional Options

NOTE: For additional license kits, please see the HP ProLiant Onboard Administrator (OA), powered by the Integrated Lights-Out 2 QuickSpecs at:

http://h18000.www1.hp.com/products/quickspecs/12362_na/12362_na.html

HP Insight Control server deployment

HP Insight Control server deployment Electronic License including 1 year of 24x7 Technical Support and Updates T9082AAE

HP Insight Control server deployment, Single-Server License including 1 year of 24x7 Technical Support and Updates 452151-B21

NOTE: This license allows 1 server to be deployed and managed via RDP. Customer will receive a printed license entitlement certificate via physical shipment. The license entitlement certificate must be redeemed online or via fax in order to obtain the license activation key(s). Includes one year of 24 x 7 HP Software Technical Support Service.

NOTE: Licenses ship without media. The Insight Software Media Kit can be ordered separately, or can be downloaded at: <http://www.hp.com/go/insightupdates>.

NOTE: Electronic licenses can be used to purchase multiple licenses with a single activation key, and are available in all countries except China and Japan. Customers in China and Japan should order the physical equivalent.

NOTE: For additional license kits, please see the Insight Control QuickSpecs at: http://h18000.www1.hp.com/products/quickspecs/12631_na/12631_na.html

HP Storage Controllers HP Smart Array P700M/512 Controller 508226-B21

HP Smart Array P700M/256 Controller 507925-B21

NOTE: Please see the QuickSpecs for Technical Specifications and additional information:

http://h18000.www1.hp.com/products/quickspecs/13175_na/13175_na.html

Optional Upgrades

128MB Battery-Backed Cache Enabler 351580-B21

NOTE: Supports the HP Smart Array E200i Controller.

NOTE: This option is not required when configuring a Drive-less Model.

HP I/O Accelerator HP StorageWorks 80GB IO Accelerator for BladeSystem c-Class AJ876A

Mezzanine Options HP StorageWorks 160GB IO Accelerator for BladeSystem c-Class AJ877A

HP StorageWorks 320GB IO Accelerator for BladeSystem c-Class AJ878A

NOTE: Please see the QuickSpecs for Technical Specifications and additional information:

http://h18000.www1.hp.com/products/quickspecs/13220_na/13220_na.html

HP c-Class Mezzanine Options HP 4X DDR IB Dual Port Mezzanine HCA for HP BladeSystem c-Class 448262-B21

Additional Options

HP Ultrium Tape Blades	HP StorageWorks SB920c Tape Blade	AJ401A
	NOTE: LTO-3 Ultrium technology	
HP StorageWorks SB40c Storage Blade	HP StorageWorks Ultrium 448c Tape Blade	440947-B21
	NOTE: LTO-2 Ultrium technology	
	NOTE: The HP PCI Express Mezzanine Pass-Thru Card for HP BladeSystem (431643-B21) is required when installing a tape blade adjacent to a full-height server blade. NOTE: Please see the QuickSpecs for Technical Specifications and additional information: http://h18000.www1.hp.com/products/quickspecs/12729_na/12729_na.html	
HP Expansion Blade	HP PCI Expansion Blade	448018-B21
	NOTE: Ships with one pre-installed PCI-X connect board. Also includes one PCIe connect board which requires installation. NOTE: Please see the QuickSpecs for Technical Specifications and additional information: http://h18000.www1.hp.com/products/quickspecs/12753_na/12753_na.html	
HP USB and SD Options	HP USB 2-Button Optical Scroll Mouse (Carbonite/Silver)	DC172B
	2004 Standard Keyboard USB	DT528A#ABA
	1.44MB External USB Floppy Drive	DC141B
HP Care Pack Services	NOTE: The HP Care Pack service part numbers below for ProLiant BL c-Class server blades, cover the server blade and all HP branded hardware options qualified for the server, purchased at the same time or afterwards, internal to the server.	
	Hardware Services On-site Service	
	4-Hour On-site Service, 5-Day x 13-Hour Coverage, 3 Years, Electronic	UK065E
	4-Hour On-site Service, 7-Day x 24-Hour Coverage, 3 Years, Electronic	UK066E
	6-Hour Call to Repair, On-site Service, 7-Day x 24-Hour Coverage, 3 Years, Electronic	UK067E

Memory

NOTE: Memory configurations listed do not apply to "Factory Integrated Models".

DIMM installation guidelines:

1. All DIMMs must be PC2-5300 Fully Buffered DIMMs at 667 MHz.
2. Both DIMM slots in a memory bank must be populated.
3. Banks must be populated in sequential alphabetic order, starting with bank A.
4. Both DIMMs in a memory bank must be identical. Install identical DIMMs as pairs only, starting with DIMM socket 1, bank A.
5. Multiple advanced memory protection (AMP) modes are supported, based on FBDIMM population and RBSU selection. The server blade defaults to Advanced ECC

HP ProLiant BL460c Server Blade (1P Model)

Standard Memory

1024 MB (2 x 512 MB) or 2048 MB (2 x 1024 MB) (depending on model) of PC2-5300, FBD DDR2-667 ECC DIMMs

Standard Memory Plus Optional Memory

Up to 50176 MB or 51200 MB (depending on model) of PC2-5300, FBD DDR2-667 ECC DIMMs. Memory is available with the installation of optional PC2-5300, FBD DDR2-667 DIMM memory expansion kits.

Standard Memory Replaced with Optional Memory

Up to 65536 MB of PC2-5300, FBD DDR2 FBD-667 ECC DIMMs. Memory is available with removal of standard and the installation of optional PC2-5300, FBD DDR2-667 DIMM memory expansion kits.

Memory		Slot							
		1A	2C	3A	4C	5B	6D	7B	8D
Standard	1024 MB	512 MB	Empty	512 MB	Empty	Empty	Empty	Empty	Empty
Standard	2048 MB	1024 MB	Empty	1024 MB	Empty	Empty	Empty	Empty	Empty
Optional	50176 MB	512 MB	8192 MB	512 MB	8192 MB	8192 MB	8192 MB	8192 MB	8192 MB
Optional	51200 MB	1024 MB	8192 MB	1024 MB	8192 MB	8192 MB	8192 MB	8192 MB	8192 MB
Maximum	65536 MB	8192 MB	8192 MB	8192 MB	8192 MB	8192 MB	8192 MB	8192 MB	8192 MB

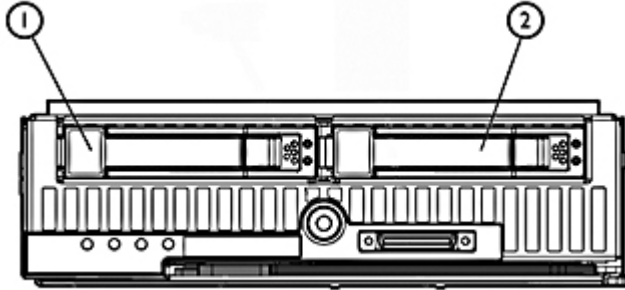
Following are memory options available from HP:

HP Memory	1 GB FBD PC2-5300 (2 x 512 MB) Kit	397409-B21
	2 GB FBD PC2-5300 (2 x 1 GB LP) Kit	461826-B21
	2 GB FBD PC2-5300 (2 x 1 GB) Kit	397411-B21
	4 GB FBD PC2-5300 (2 x 2 GB LP) Kit	461828-B21
	4 GB FBD PC2-5300 (2 x 2 GB) Kit	397413-B21
	8 GB FBD PC2-5300 (2 x 4 GB) Kit	397415-B21
	8 GB FBD PC2-5300 (2 x 4 GB LP) Kit	466440-B21
	16 GB FBD PC2-5300 (2 x 8 GB) Kit	413015-B21
	64 GB FBD PC2-5300 (8 x 8 GB) Kit	495604-B21

NOTE: 64GB of memory is supported with 80W processors and below. 64GB of memory is Not supported with 120W processors.

NOTE: Up to three 16 GB (2 x 8 GB) memory option kits or 48 GB of memory is supported with 120W processors.

Storage



1-2 2 x SFF SAS or SATA Hot Plug Hard Drives

Hard Drives

NOTE: The components of a storage subsystem (e.g. the drive, the HBA/controller, firmware, and the server backplane) should operate at the same data transfer rate or the system bandwidth will be negotiated down to an acceptable level for all components.

NOTE: Hard drives have either a one year or three year warranty; refer to the specific hard drive QuickSpecs for details.

SAS Hot Plug SFF (2.5-inch) Enterprise (ENT) Drives

	Quantity Supported	Position Supported	Controller
300GB 6G SAS 10K	2	1-2	HP Smart Array E200i Controller
300GB 3G SAS 10K DP			
146GB 6G SAS 15K DP			
146GB 3G SAS 15K DP			
146GB 6G SAS 10K DP			
146GB 3G SAS 10K DP			
72GB 6G 15K DP			
72GB 3G SAS 15K DP			
72GB 3G SAS 10K DP			

SAS Hot Plug SFF (2.5-inch) Midline (MDL) Drives

	Quantity Supported	Position Supported	Controller
500GB 6G 7.2K DP	2	1-2	HP Smart Array E200i Controller

SATA Hot Plug SFF (2.5-inch) Midline (MDL) Drives

	Quantity Supported	Position Supported	Controller
500GB 3G SATA 7.2K	2	1-2	HP Smart Array E200i Controller
160GB 3G SATA 7.2K			

SATA Hot Plug SFF (2.5-inch) Entry (ETY) Drives

	Quantity Supported	Position Supported	Controller
250GB 3G SATA 5.4K	2	1-2	HP Smart Array E200i Controller
120GB 1.5 G SATA 5.4K			

NOTE: This option is not supported or available within the Drive-less CTO Model.

Storage

External Storage

	Quantity Supported	Position Supported	Host Controller or Adapter
XP Disk Array Systems	Please see the XP Disk Array Systems QuickSpecs below to determine configuration requirements	External	Please see the XP Disk Array Systems Quick Specs for the latest list of supported HBAs

HP StorageWorks XP10000 Disk Array:

<http://h18006.www1.hp.com/products/storageworks/xp10000/index.html>

Enterprise Virtual Array Systems	Please see the XP Disk Array Systems QuickSpecs below to determine configuration requirements	External	Please see the XP Disk Array Systems Quick Specs for the latest list of supported HBAs
----------------------------------	---	----------	--

HP StorageWorks Enterprise Virtual Array Family

http://h18006.www1.hp.com/products/quickspecs/12408_na/12408_na.html

Technical Specifications

System Unit	Dimensions (H x W x D) (with bezel)	7.154 x 2.19 x 20.058 in (18.17 x 5.56 x 50.95 cm)	
	Weight (approximate)	Maximum (all hard drives and processors installed)	14.20 lb (6.44 kg)
		Minimum (one hard drive and processor installed)	10.75 lb (4.87 kg)
	Power Specifications	For power specifications including Input Requirements, BTU Rating, and Power Supply Output, please see the HP BladeSystem c-Class Enclosures QuickSpecs located at URL: HP BladeSystem c3000 Enclosure QuickSpecs: http://h18000.www1.hp.com/products/quickspecs/12790_na/12790_na.html HP BladeSystem c7000 Enclosure QuickSpecs: http://h18000.www1.hp.com/products/quickspecs/12810_na/12810_na.html To review typical system power ratings use the HP BladeSystem Power Sizer which is available via the online tool located at URL: http://www.hp.com/go/ bladesystem/powercalculator	
System Inlet Temperature	Operating	10° to 35°C (50° to 95°F) at sea level with an altitude derating of 1.0°C per every 305 m (1.8°F per every 1000 ft) above sea level to a maximum of 3050 m (10,000 ft), no direct sustained sunlight. Maximum rate of change is 10°C/hr (18°F/hr). The upper limit may be limited by the type and number of options installed.	
		System performance may be reduced if operating with a fan fault or above 30°C (86°F).	
Relative Humidity (non-condensing)	Non-operating	-30° to 60°C (-22° to 140°F). Maximum rate of change is 20°C/hr (36°F/hr).	
	Operating	10 to 90% relative humidity (Rh), 28°C (82.4°F) maximum wet bulb temperature, non-condensing.	
Altitude	Non-operating	5 to 95% relative humidity (Rh), 38.7°C (101.7°F) maximum wet bulb temperature, non-condensing.	
	Operating	3050 m (10,000 ft). This value may be limited by the type and number of options installed. Maximum allowable altitude change rate is 457 m/min (1500 ft/min).	
Acoustic Noise	Non-operating	9144 m (30,000 ft). Maximum allowable altitude change rate is 457 m/min (1500 ft/min).	
	For acoustic noise specifications, please see the HP BladeSystem c-Class Enclosures QuickSpecs located at URL:		

Technical Specifications

HP BladeSystem c3000 Enclosure QuickSpecs:

http://h18000.www1.hp.com/products/quickspecs/12790_na/12790_na.html

HP BladeSystem c7000 Enclosure QuickSpecs:

http://h18000.www1.hp.com/products/quickspecs/12810_na/12810_na.html

HP Smart Array E200i Controller	Disk Drive and Enclosure Interface	3G SAS (Serial Attached SCSI) 1.5G SATA (Serial Advanced Technology Attachment)
	Cache Memory Speed	DDR-1/266 MHz provides up to 4.2 GB/s maximum bandwidth.
	Server Interface	x4 2.5G PCIe provides 2GB/s maximum bandwidth.
	SAS Speed	x2 3G SAS provides 600MB/s maximum bandwidth.
	Cache Memory	40-bit 64 MB or 128 MB cache: ECC protection, battery-backed, and transportable
	Logical Drives Supported	Up to 32 logical volumes
	Maximum Logical Drive Capacity	144GB (2 x 72GB)
	Host Memory Addressing	64-bit, supporting greater than 4GB server memory space
	RAID Support	RAID 5 (Distributed Data Guarding) requires 128MB BBWC option RAID1, 1+0 (Striping & Mirroring) RAID 0 (Striping)
	Upgradeable Firmware	Upgradeable Firmware

Embedded NC373i Multifunction Gigabit Server Adapter	Network Processor	Broadcom 5708S
	Data Transfer Method	Four lane (x4) PCI Express
	Network Transfer Rate	2000 Mb/s full duplex (theoretical maximum value) NOTE: The Gigabit Ethernet adapters above transmit from the server at 2000 Mbps, full duplex per port only. For more information, see the "Network Controller" segment in the Standards Features section.
	IEEE Compliance	802.1p, 802.1Q, 802.3, 802.3ad, and 802.3x
Standard Features	<ul style="list-style-type: none">● TCP/IP offload engine (TOE) for Microsoft Windows 2003● iSCSI Boot for Linux● Optional accelerated iSCSI● 9K jumbo frames● TCP/IP checksum offload (TCO)● Large send offload (LSO)● Interrupt coalescence● Dual address cycles (DAC)● Wake-on-LAN (WOL)● Pre-boot execution environment (PXE)● ProLiant Teaming including Network Fault Tolerance, Transmit Load Balancing, and Switch-Assisted Load Balancing● IPv6 packet transmit and receive (excluding all offload capabilities); IPv6 aware SNMPv1 agents for Microsoft Windows	

Technical Specifications

Environment-friendly Products and Approach	End-of-life Management and Recycling	Hewlett-Packard offers end-of-life HP product return, trade-in, and recycling programs in many geographic areas. For trade-in information, please go to: http://www.hp.com/go/green . To recycle your product, please go to: http://www.hp.com/go/green or contact your nearest HP sales office. Products returned to HP will be recycled, recovered or disposed of in a responsible manner.
---	---	--

The EU WEEE directive (2002/95/EC) requires manufacturers to provide treatment information for each product type for use by treatment facilities. This information (product disassembly instructions) is posted on the Hewlett Packard web site at: <http://www.hp.com/go/green>. These instructions may be used by recyclers and other WEEE treatment facilities as well as HP OEM customers who integrate and re-sell HP equipment.

© Copyright 2010 Hewlett-Packard Development Company, L.P.

The information contained herein is subject to change without notice.

Microsoft and Windows NT are US registered trademarks of Microsoft Corporation. Intel, the Intel logo, Xeon and Xeon Inside are trademarks of Intel Corporation in the U.S. and other countries.

The only warranties for HP products and services are set forth in the express warranty statements accompanying such products and services. Nothing herein should be construed as constituting an additional warranty. HP shall not be liable for technical or editorial errors or omissions contained herein.

For hard drives, 1GB = 1 billion bytes. Actual formatted capacity is less.