

nag[®]
Follow the Expert

NETWORKING CATALOGUE



2024

SWITCH TO GIGABIT WITH SNR SWITCHES!

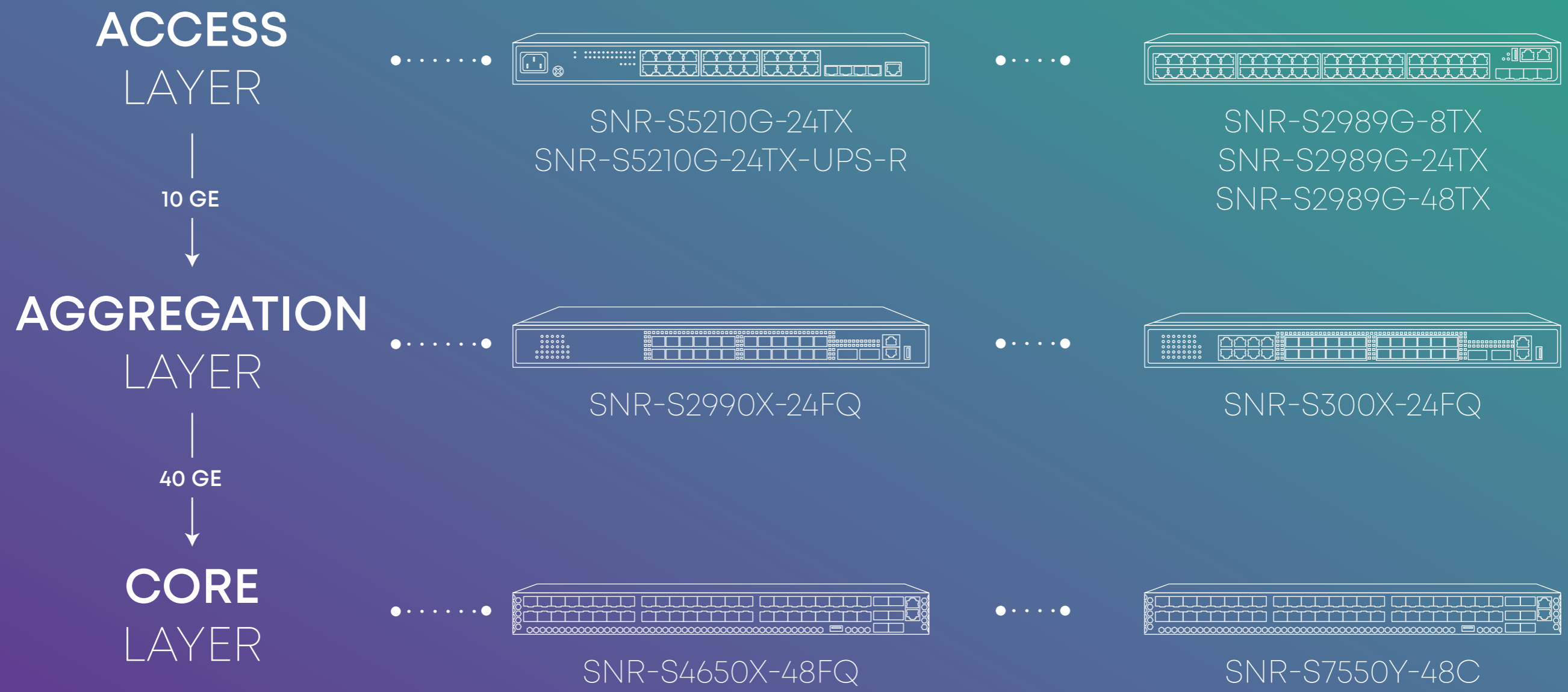


TABLE OF CONTENT

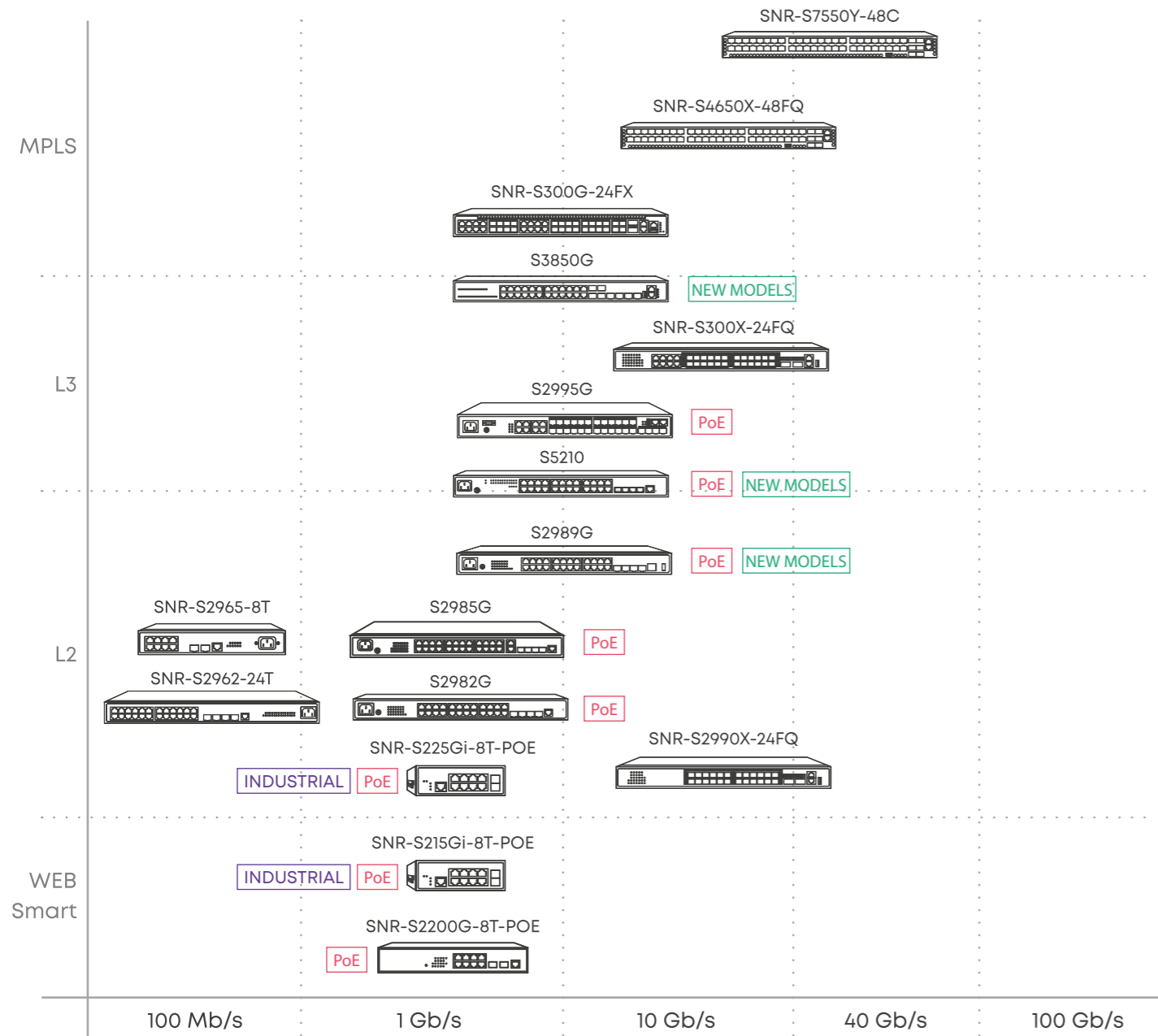
SNR NETWORKING PORTFOLIO.....	04	S5210G SERIES.....	28
AGGREGATION/CORE LEVEL SWITCHES.....	05	S2982 SERIES.....	30
S2995G SERIES.....	06	S2985 SERIES.....	32
S3850G SERIES.....	08	S2995G.....	34
SNR-S5210G-24FX.....	10	S3850G.....	36
SNR-S5210X-8F.....	12	SNR-S2962-24T.....	38
SNR-S300G-24FX.....	14	SNR-S2965-8T.....	40
SNR-2990X-24FQ.....	16	SNR-S225GI-8T-POE.....	42
SNR-S300X-24FQ.....	18	SNR-S215GI-8T-POE.....	44
SNR-S4650X-48FQ.....	20	SNR-S2200G-8T-POE.....	45
SNR-S7550Y-48C.....	22	S1900 SERIES.....	46
STATISTICS.....	24	S1000 & S1100G SERIES.....	47
ACCESS LEVEL SWITCHES.....	25	KEY FEATURES OF SNR SWITCHES.....	48
S2989G SERIES.....	26	ABOUT NAG / CONTACTS.....	50



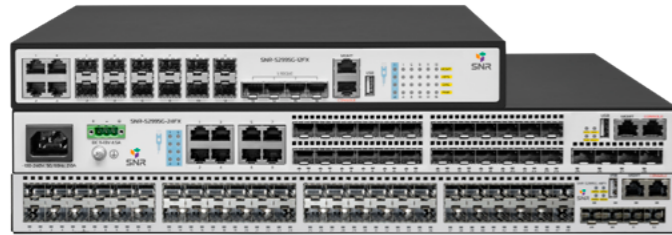
SNR aggregation switches are represented by several product lines with different functionality, set of ports and scope of application.

- **S5210** is a series of L2+ switches that support static routing. The software, supports all the necessary functionality of layer 2, which, coupled with various options for redundant power supply, allows building fault-tolerant networks on access and aggregation layers for telecom operators and enterprises.
- **S2995G** is a series of L3 switches that support up to 1K IPv4 routes, multicast traffic routing, and all the necessary layer 2 functionality. A combination of functionality, price, type and number of ports, allows to utilize S2995G series switches both on aggregation and access layers..
- **S3850G** is a powerful solution for aggregation layer networks for enterprises and telecom operators. This series differs from the S2995G by a dual-core processor and a larger size of L3 tables - up to 13K routes and up to 4K ARP entries.
- **SNR-S300G-24FX** is a high-performance switch built on the Broadcom Helix 4 chipset and equipped with 2 Hot Swap AC/DC power supplies. In addition to standard routing protocols, the switch supports MPLS (L2VPN and L3VPN), and also allows to select 3 resource allocation profiles, depending on which up to 64K MAC addresses, up to 48K ARP entries or up to 16K routes are supported.
- **SNR-S2990X-24FQ** is a 10GE L2+ aggregation switch with 1/10GE SFP+ and 40GE QSFP+ ports. The switch is based on the latest ASIC by Broadcom, which guarantees no oversubscription and minimal delays when switching packets. This model is an excellent solution for aggregating 10GE channels of telecom operators or switching in data centers.
- **SNR-S300X-24FQ** is a 10GE L3 aggregation switch equipped with 1GE RJ45, 1/10GE SFP+ and 40GE QSFP+ ports. It supports OSPF, BGP, PIM, MSDP routing protocols and up to 32K MAC addresses, up to 16K ARP entries and up to 16K routes, which allows to build heavy loaded networks.
- **SNR-S4650X-48FQ** is a new generation high-performance L3 switches with MPLS support and high port density. The switch has 48 x 1/10GE SFP+ ports and 6 x 40GE QSFP+ ports. It has a fully hardware switching and routing and supports all the necessary functions to ensure a fault-tolerant application for network core or data center.
- **SNR-S7550Y-48C** is an L3/MPLS switch with 10/25GE SFP+ and 40/100GE QSFP28 ports. The model supports all the necessary L3 functionality (OSPF, BGP, PIM), as well as MPLS, VXLAN and MLAG. This is a high-performance new generation device, designed for aggregation and network core layer or as TOR switches in data centers.

SNR NETWORKING PORTFOLIO



S2995G SERIES



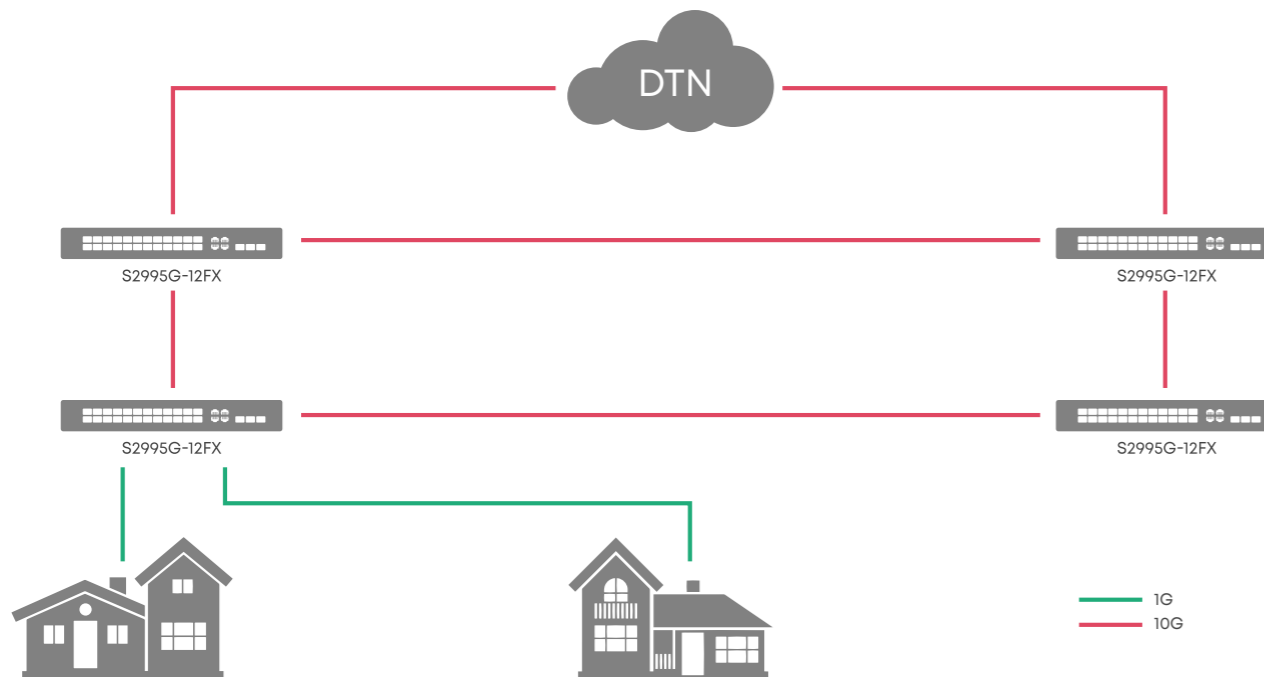
- Dynamic routing OSPF, BGP, PIM
- 1K IPv4 Routes
- 1K ARP Entries
- Non-blocking Architecture
- Built-in 1/10GE SFP+ Uplink Ports
- DDM at all the optical ports
- AC + RPS 12/48 V DC
- Compact model with 12*SFP and 4*SFP+

The S2995G series is a popular solution for aggregation and optical access layer in enterprise and carrier networks.

The series includes models with three different set of ports: SNR-S2995G-24FX to be used as L2/L3 aggregation, with 24 x GE SFP ports (8 x Combo ports) and 4 x 1/10GE SFP+, all-optical switch with high port density (48 x 1GE SFP, 4 x 1/10GE SFP+) and the compact SNR-S2995G-12FX with 12 x GE SFP ports (4 x Combo ports) and 4 x 1/10GE SFP+.

The combination of optical and copper interfaces, 1/10GE SFP+ Uplink ports, L2 and L3 functionality make the S2995G switches an excellent solution for a wide range of applications.

Also, the S2995G switches have a typical SNR CLI and SNMP MIB, which simplifies hardware implementation and maintenance. Power redundancy based on RPS port and AC power monitoring allows to add uninterrupted power supply to the switch with long battery life and minimal costs.



PRODUCT HIGHLIGHTS

VLAN	4094 VLAN, Voice-VLAN, Private-VLAN, MAC-VLAN, Port-based QinQ, Selective QinQ, VLAN Translation
Interfaces	SNR-S2995G-24FX (-DC UPS): 16 x 100/1000Base-X SFP, 8 x Combo 10/100/1000Base-T 100/1000Base-X SFP, 4 x 1/10GE SFP+ SNR-S2995G-12FX (-DC UPS): 8 x 100/1000Base-X SFP, 4 x Combo 10/100/1000Base-T 100/1000Base-X SFP, 4 x 1/10GE SFP+ SNR-S2995G-48FX (-DC): 48 x 100/1000Base-X SFP, 4 x 1/10GE SFP+
Table of MAC Addresses	16K
Security	3K ACL rules IP ACL, MAC ACL, MAC-IP ACL, Userdefined ACL Port-Security, IP-MAC-Port binding, DHCP Snooping, DHCP Relay, DHCP Opt.82 Broadcast/Multicast/Unicast traffic limitation, Loopback detection, 802.1x, MAB CPU traffic limitation
L3-Functionality	Static Routing, Dynamic Routing: RIP, OSPFv2/v3, BGPv4+ Multicast traffic routing: PIM-SM, PIM-DM, PIM-SSM, MSDP IPv4 routing table size: 1K routes
L2-Multicast	IGMPv1/v2/v3 Snooping, Multicast VLAN Registration (MVR), Multicast Source/Destination Control, Multicast Filter
QoS	8 queues per port, DWRR / SP / SP + DWRR, CoS/DSCP tagging/re-tagging, bandwidth limitation
Redundancy Protocols	STP, RSTP, MSTP, ERPS, LACP
Redundant Power Supply	SNR-S2995G-12(24,48)FX: 220 V AC + 12 V DC, AC power monitoring SNR-S2995G-12(24,48)FX-DC: 220 V AC + 48 V DC, AC power monitoring SNR-S2995G-12(24)FX: 220 V AC + 12 V battery connector with charging feature, AC power monitoring
Management	CLI, WEB, SNMP

ORDERING INFORMATION

Model	Description
SNR-S2995G-12FX	Layer 3 managed switch, 8 x 100/1000Base-X SFP, 4 x Combo 100/1000Base-X SFP 10/100/1000Base-T, 4 x 1/10GE SFP+. Power supply: 220 V AC + 12 V DC
SNR-S2995G-12FX-DC	Layer 3 managed switch, 8 x 100/1000Base-X SFP, 4 x Combo 100/1000Base-X SFP 10/100/1000Base-T, 4 x 1/10GE SFP+. Power supply: 220 V AC + 48 V DC
SNR-S2995G-12FX-UPS	Layer 3 managed switch, 8 x 100/1000Base-X SFP, 4 x Combo 100/1000Base-X SFP 10/100/1000Base-T, 4 x 1/10GE SFP+. Power supply: 220 V AC + connector for 12 V battery with charging feature
SNR-S2995G-24FX	Layer 3 managed switch, 16 x 100/1000Base-X SFP, 8 x Combo 100/1000Base-X SFP 10/100/1000Base-T, 4 x 1/10GE SFP+. Power supply: 220 V AC + 12 V DC
SNR-S2995G-24FX-DC	Layer 3 managed switch, 16 x 100/1000Base-X SFP, 8 x Combo 100/1000Base-X SFP 10/100/1000Base-T, 4 x 1/10GE SFP+. Power supply: 220 V AC + 48 V DC
SNR-S2995G-24FX-UPS	Layer 3 managed switch, 16 x 100/1000Base-X SFP, 8 x Combo 100/1000Base-X SFP 10/100/1000Base-T, 4 x 1/10GE SFP+. Power supply: 220 V AC + connector for 12 V battery with charging feature
SNR-S2995G-48FX	Layer 3 managed switch, 48 x 100/1000Base-X SFP, 4 x 1/10GE SFP+. Power supply: 220 V AC + 12 V DC
SNR-S2995G-48FX-DC	Layer 3 managed switch, 48 x 100/1000Base-X SFP, 4 x 1/10GE SFP+. Power supply: 220 V AC + 48 V DC

S3850G SERIES

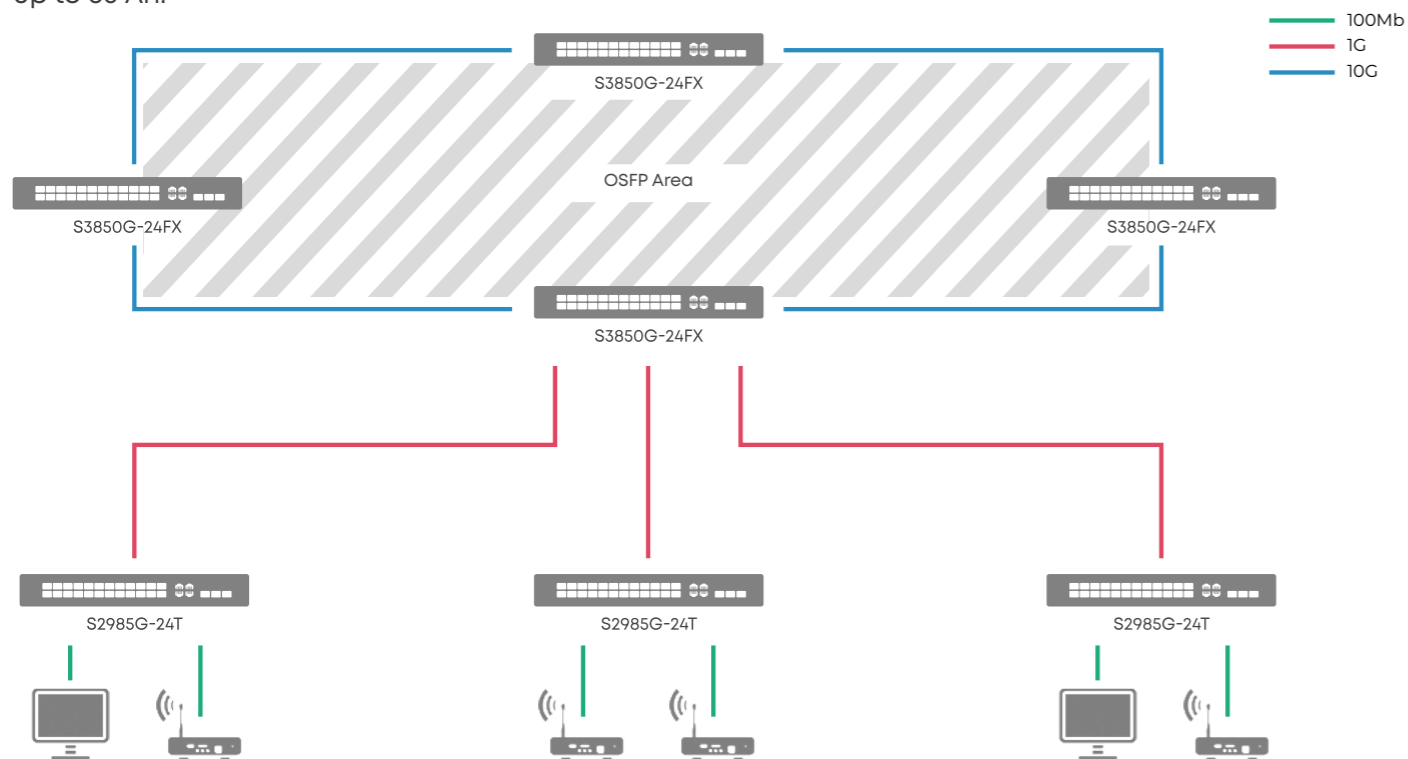
- Dual core processor
- Dynamic routing OSPF, BGP, PIM
- 13K IPv4 Routes
- 4K ARP Entries
- Non-blocking Architecture
- Built-in 1/10GE SFP+ Uplink Ports
- DDM at all the optical ports
- UPS 12 V / AC + RPS 12/48 V DC



The S3850G series is a powerful solution for the L3 aggregation layer. This series differs from the S2995G by a dual-core process and a larger size of L3 tables - up to 13K routes and up to 4K ARP entries. Models of this series are equipped with 4x1/10GE Uplink ports, 16 x 1GE SFP and 8 x 1 GE Combo ports.

The combination of optical and copper interfaces, 1/10GE SFP+ Uplink ports, L2 and L3 functionality make the S3850G switches an excellent solution for a wide range of applications.

Also, the S3850G series switches have a typical SNR CLI and SNMP MIB, which simplifies the implementation and maintenance of equipment in the network. Power redundancy based on RPS port and AC power monitoring allows to add uninterrupted power supply to the switch with long battery life and minimal costs. The SNR-S3850G-24FX-UPS model has a built-in 12 V battery charge / discharge controller with a capacity of up to 60 Ah.



PRODUCT HIGHLIGHTS

VLAN	4094 VLAN, Voice-VLAN, Private-VLAN, MAC-VLAN, Port-based QinQ, Selective QinQ, VLAN Translation
Interfaces	16 x 100/1000Base-X SFP, 8 x Combo 10/100/1000Base-T 100/1000Base-X SFP, 4 x 1/10GE SFP+
Table of MAC addresses	16K
Table of ARP Entries	4K
Security	1K ACL rules IP ACL, MAC ACL, MAC-IP ACL, Userdefined ACL Port-Security, IP-MAC-Port binding, DHCP Snooping, DHCP Relay, DHCP Opt.82 Broadcast/Multicast/Unicast traffic limitation, Loopback detection, 802.1x, MAB CPU traffic limitation
L3-Functionality	Static Routing, Dynamic Routing: RIP, OSPFv2/v3, BGPv4+ Multicast traffic routing: PIM-SM, PIM-DM, PIM-SSM, MSDP IPv4 routing table size: 13K routes
L2-Multicast	IGMPv1/v2/v3 Snooping, Multicast VLAN Registration (MVR), Multicast Source/Destination Control, Multicast Filter
QoS	8 queues per port, DWRR / SP / SP + DWRR, CoS/DSCP tagging/re-tagging, bandwidth limitation
Redundancy Protocols	STP, RSTP, MSTP, ERPS, LACP
Redundant Power Supply	SNR-S3850G-24FX: 220 V AC + 12 V DC, AC power monitoring SNR-S3850G-24FX-DC: 220 V AC + 48 V DC, AC power monitoring SNR-S3850G-24FX-UPS: 220 V AC + 12 V battery connector with charging feature, AC power monitoring
Management	CLI, WEB, SNMP

ORDERING INFORMATION

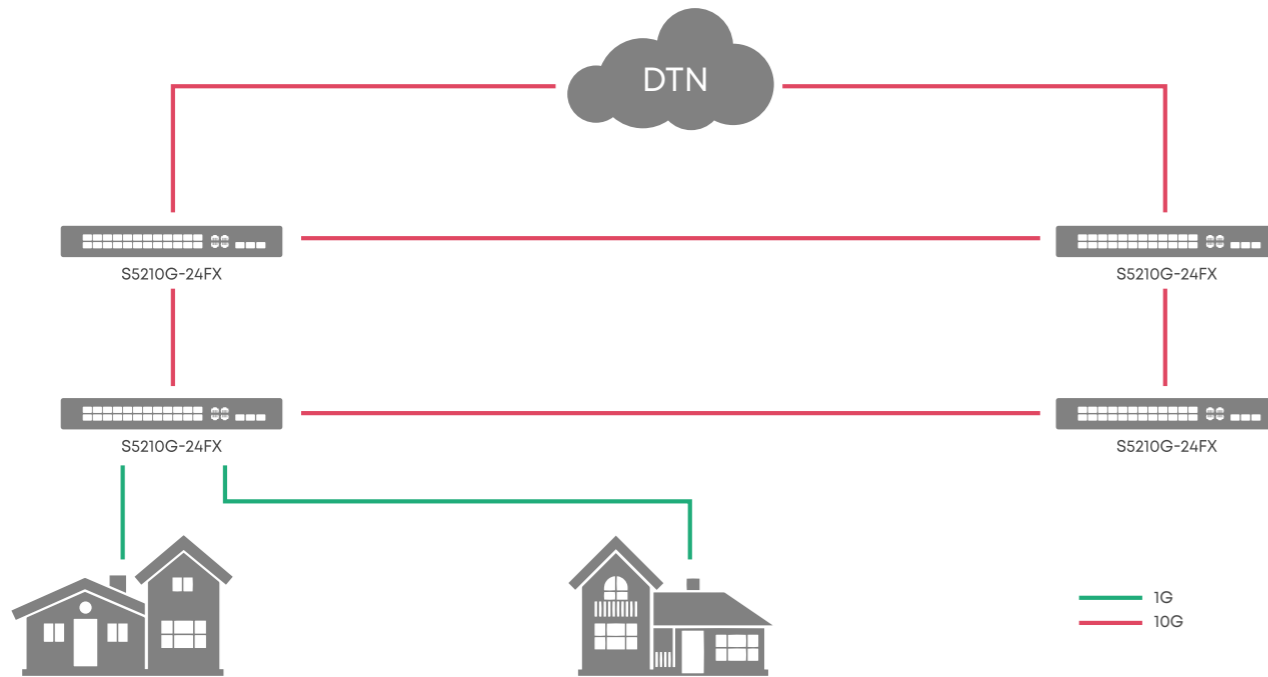
Model	Description
SNR-S3850G-24FX	Layer 3 managed switch, 16 x 100/1000Base-X SFP, 8 x Combo 100/1000Base-X SFP 10/100/1000Base-T, 4 x 1/10GE SFP+. Power supply: 220 V AC + 12 V DC
SNR-S3850G-24FX-DC	Layer 3 managed switch, 16 x 100/1000Base-X SFP, 8 x Combo 100/1000Base-X SFP 10/100/1000Base-T, 4 x 1/10GE SFP+. Power supply: 220 V AC + 48 V DC
SNR-S3850G-24FX-UPS	Layer 3 managed switch, 16 x 100/1000Base-X SFP, 8 x Combo 100/1000Base-X SFP 10/100/1000Base-T, 4 x 1/10GE SFP+. Power supply: 220 V AC + connector for 12 V battery with charging feature

SNR-S5210G-24FX



- 16K MAC
- Redundant Power Supply
- Redundancy protocols with fast convergence
- Built-in 1/10GbE SFP+ Uplink Ports
- DDM at all the optical ports

SNR-S5210G-24FX switches are an excellent solution for the aggregation and optical access layer in networks of enterprises and telecom operators.



PRODUCT HIGHLIGHTS

VLAN	4094 VLAN, Voice-VLAN, MAC-based QinQ, Selective QinQ
Interfaces	4 x 10/100/1000Base-T 100/1000Base-X Combo, 20 x 100/1000Base-X SFP, 4 x 1/10GE SFP+
Table of MAC addresses	16K
Switching matrix	128 Gbps
Performance	95.2 Mpps
Security	2048 ACL rules IP ACL, MAC ACL IP-MAC-Port binding, DHCP Snooping, DHCP Relay, DHCP Opt.82 Broadcast/Multicast/Unicast traffic limitation, Loopback detection CPU traffic limitation
L3-Functionality	Static routing, 512 routes, 2K ARP entries, 32 IP interfaces
L2-Multicast	IGMPv1/v2/v3 Snooping, Multicast VLAN Registration (MVR), Multicast Source/Destination Control, Multicast Filter
QoS	8 queues per port, DWRR / SP / SP + DWRR, CoS/DSCP tagging/re-tagging, bandwidth limitation
Redundancy Protocols	STP, RSTP, LACP
Management	CLI, SNMP
Redundant Power Supply	SNR-S5210G-24FX-UPS: 220 V AC + 12V battery connector with charging feature SNR-S5210G-24FX-DC: 220 V AC + 48 V DC SNR-S5210G-24FX-2AC: 2 integrated power supply units 220 V AC

ORDERING INFORMATION

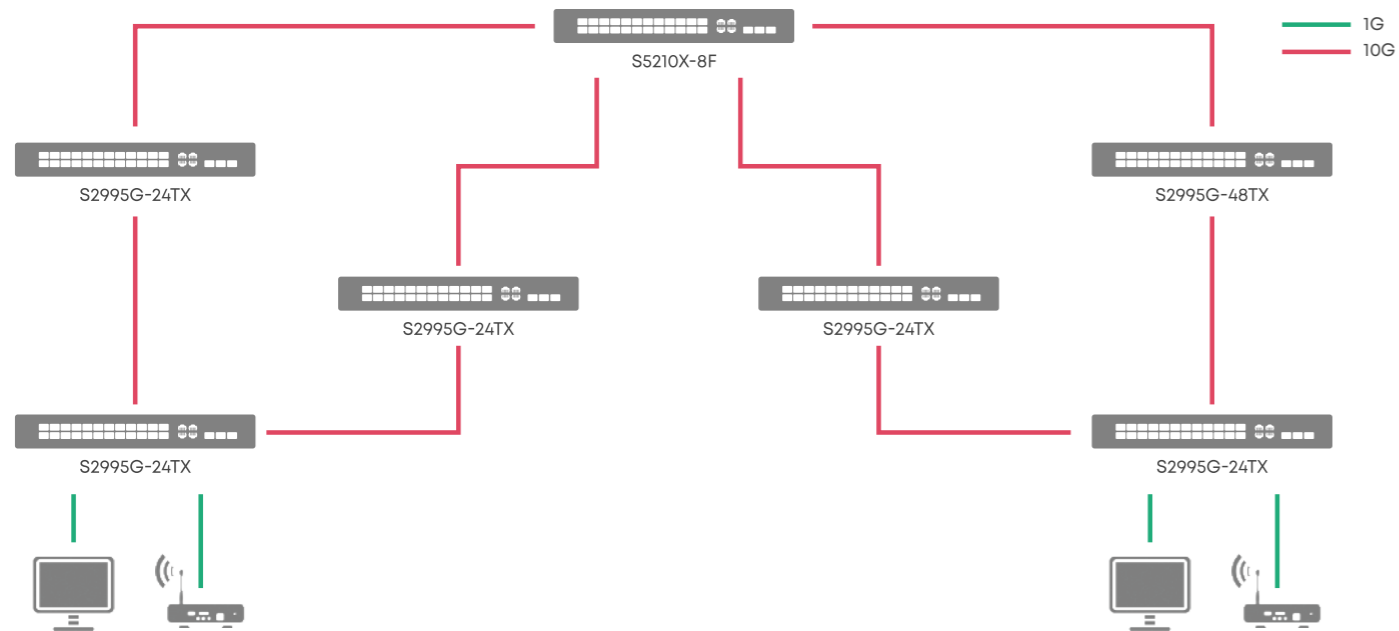
Model	Description
SNR-S5210G-24FX	Layer 2+ Managed Switch, 4 x 10/100/1000Base-T 100/1000Base-X Combo, 20x 100/1000Base-X SFP, 4 x 1/10GE SFP+. Power supply: 220 V AC
SNR-S5210G-24FX-DC	Layer 2+ Managed Switch, 4 x 10/100/1000Base-T 100/1000Base-X Combo, 20x 100/1000Base-X SFP, 4 x 1/10GE SFP+. Power supply: 220 V AC, 48 V DC
SNR-S5210G-24FX-UPS	Layer 2+ Managed Switch, 4 x 10/100/1000Base-T 100/1000Base-X Combo, 20 x 100/1000Base-X SFPs, 4 x 1/10GE SFP+. Power supply: 220 V AC, connector for battery 12 V with charging feature
SNR-S5210G-24FX-2AC	Layer 2+ Managed Switch, 4 x 10/100/1000Base-T 100/1000Base-X Combo, 20 x 100/1000Base-X SFPs, 4 x 1/10GE SFP+. Power supply: 220 V AC, 220 V AC



SNR-S5210X-8F

- 16K MAC
- Redundant Power Supply
- Redundancy protocols with fast convergence
- Compact Form Factor
- Ergonomic Design

The SNR-S5210X-8F is a compact, high-performance 10GE switch for connecting servers, storage systems, and clients.



PRODUCT HIGHLIGHTS

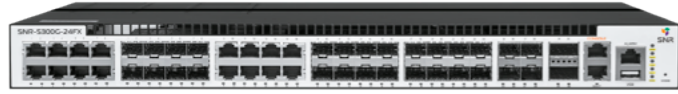
VLAN	4094 VLAN, Voice-VLAN, MAC-VLAN, Port-based QinQ, Selective QinQ
Interfaces	8 x 1/10GE SFP+
Table of MAC addresses	16K
Switching matrix	160 Gbps
Performance	102 Mpps
Security	2048 ACL rules IP ACL, MAC ACL IP-MAC-Port binding, DHCP Snooping, DHCP Relay, DHCP Opt.82 Broadcast/Multicast/Unicast traffic limitation, Loopback detection CPU traffic limitation
L3-Functionality	Static routing, 512 routes, 2K ARP entries, 32 IP interfaces
L2-Multicast	IGMPv1/v2/v3 Snooping, Multicast VLAN Registration (MVR), Multicast Source/Destination Control, Multicast Filter
QoS	8 queues per port, SP, DWRR, SP+WRR CoS/DSCP tagging/re-tagging, bandwidth limitation
Redundancy Protocols	STP, RSTP, LACP
Management	CLI, SNMP
Redundant Power Supply	SNR-S5210X-8F-UPS: 220V AC + 12V battery connector with charging feature SNR-S5210X-8F-DC: 220V AC + 48V DC

ORDERING INFORMATION

Model	Description
SNR-S5210X-8F	Layer 2+ managed switch, 8 x 1/10GE SFP+. Power supply: 220V AC
SNR-S5210X-8F-DC	Layer 2+ managed switch, 8 x 1/10GE SFP+. Power supply: 220 V AC, 48 V DC
SNR-S5210X-8F-UPS	Layer 2+ managed switch, 8 x 1/10GE SFP+. Power supply: 220 V AC, connector for battery 12 V with charging feature

SNR-S300G-24FX

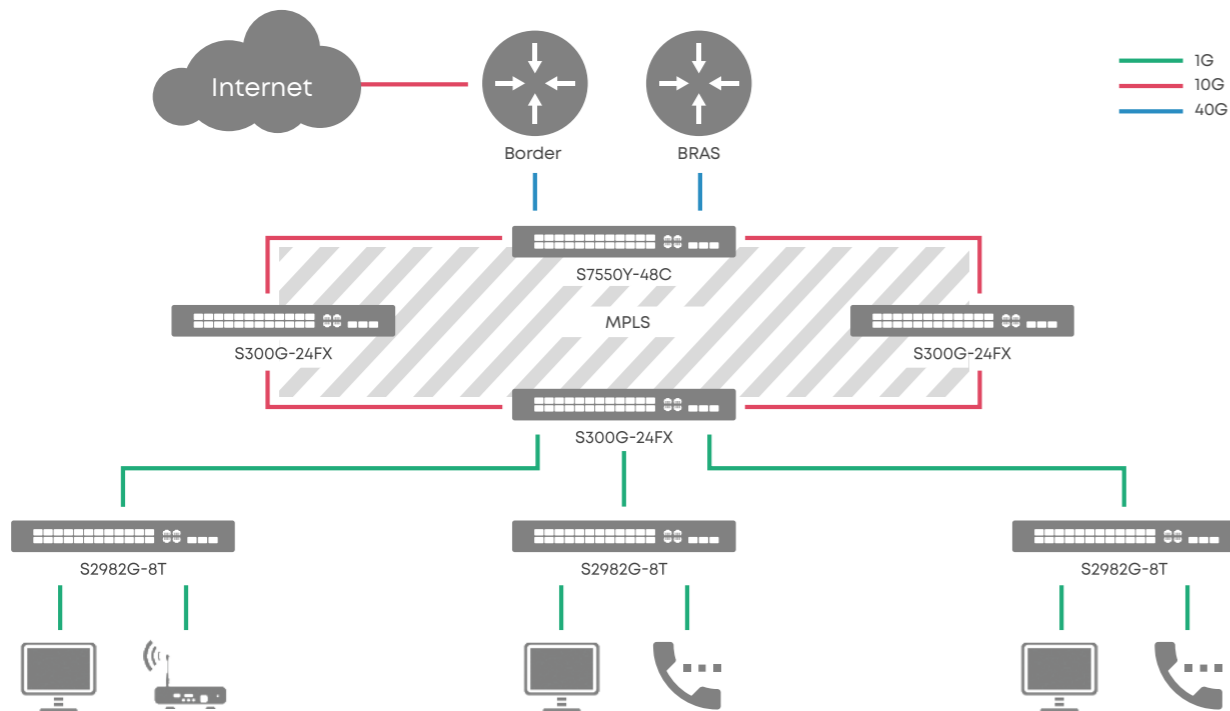
- ASIC Broadcom Helix 4 chipset
- 24 x GE SFP (16 x Combo)
- 4 x 1/10GE SFP+
- Hot Swap PSU 1+1
- Stacking support
- L3: 16K IPv4, up to 48K ARP, OSPF, BGP, PIM
- Supports MPLS (L2VPN, L3VPN)



The SNR-S300G-24FX L3/MPLS managed switch is a high performance aggregation/core solution with MPLS support. The device is equipped with 16 x GE/SFP combo ports, 8 x GE/SFP+ ports and 2 stacking ports.

Powerful Broadcom Helix 4 chipset allows to operate at full port speed: switching capacity is 208 Gbps, packet forwarding rate is 155 Mpps. SNR-S300G-24FX supports OSPF, BGP, PIM and MSDP routing protocols and allows you to select 3 resource allocation profiles, depending on which up to 64K MAC addresses, up to 48K ARP entries and up to 16K routes are supported.

The switch supports MPLS, including L3 and L2 VPN (VPLS, VPWS), which enables to optimize traffic through the network and to isolate traffic of various classes.



PRODUCT HIGHLIGHTS

VLAN	4094 VLAN, Voice-VLAN, Private-VLAN, MAC-VLAN, Port-based QinQ, Selective QinQ, VLAN Translation
Interfaces	16 x Combo 10/100/1000Base-T 100/1000Base-X SFP, 8 x 100/1000Base-X SFP, 4 x 1/10GE SFP+, 2 x 20G QSFP+
Table of MAC addresses	Up to 64K
Table of ARP Entries	Up to 16K
Security	3K ACL rules, ingress and egress ACL IP ACL, MAC ACL, MAC-IP ACL, Userdefined ACL Port-Security, IP-MAC-Port binding, DHCP Snooping, DHCP Relay, DHCP Opt.82 Broadcast/Multicast/Unicast traffic limitation, Loopback detection, 802.1x, MAB CPU traffic limitation
L3-Functionality	Static Routing, Dynamic Routing: RIP, OSPFv2/v3, BGPv4+ Multicast traffic routing: PIM-SM, PIM-DM, PIM-SSM, MSDP IPv4 routing table size: 16K routes ARP table size: up to 48K
MPLS	LDP, VPWS, VPLS, L3VP
L2-Multicast	IGMPv1/v2/v3 Snooping, Multicast VLAN Registration (MVR), Multicast Source/Destination Control, Multicast Filter
QoS	8 queues per port, SP / WRR / DWRR / SP + WRR / SP + DWRR, CoS/DSCP tagging/re-tagging, bandwidth limitation
Redundancy Protocols	STP, RSTP, MSTP, ERPS, LACP
Redundant Power Supply	Two Hot Swap power supply units, power monitoring
Management	CLI, WEB, SNMP

ORDERING INFORMATION

Model	Description
SNR-S300G-24FX	Managed Layer 3 Switch, 16 x Combo 10/100/1000Base-T 100/1000Base-X SFP, 8 x 100/1000Base-X SFP, 4 x 1/10GE SFP+, 2 x 20 Gbps QSFP+ ports for stacking. Power: 2 slots for modular power supply units
S300-PSU-AC	Modular AC Power Supply Unit for Switch SNR-S300G-24FX
S300-PSU-DC	Modular DC Power Supply Unit for Switch SNR-S300G-24FX

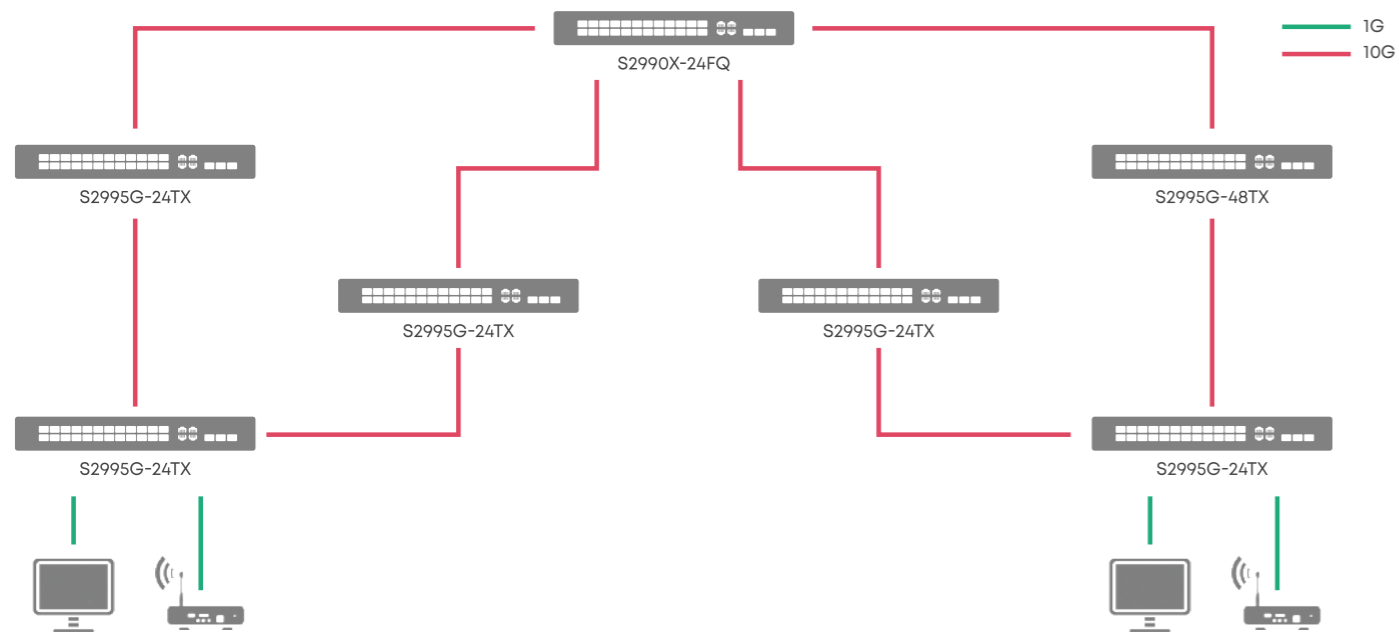
SNR-S2990X-24FQ



- 24 x 1/10GE SFP+
- 2 x 40GE QSFP+
- Stacking via standard interfaces
- Powerful ASIC Broadcom

The SNR-S2990X-24FQ all-optical L2+ switch is equipped with 24 x 10GE SFP+ ports and 2 x 40 GE QSFP ports. The switch features high performance, functionality and reliability, therefore it is an excellent solution for aggregating 10GE channels for telecom operators and switching between servers / storage systems in the data center.

Redundant AC / DC power supply, support of stacking, LACP, ERPS protocols allows to build fault-tolerant networks based on the SNR-S2990X-24FQ with minimal convergence time.

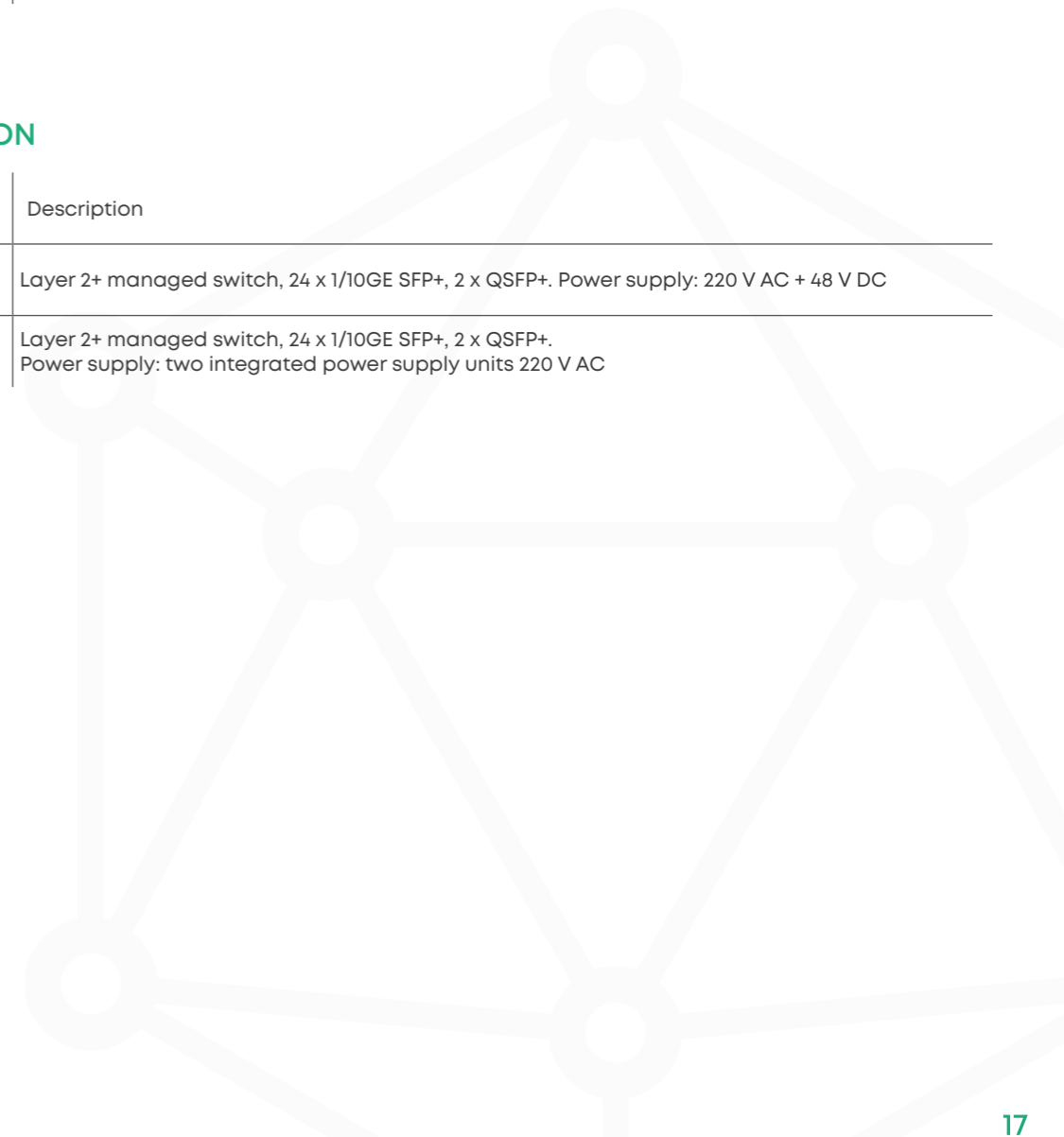


PRODUCT HIGHLIGHTS

VLAN	4094 VLAN, Voice-VLAN, Private-VLAN, MAC-VLAN, Port-based QinQ, Selective QinQ, VLAN Translation
Interfaces	24 x 1/10GE SFP+, 2 x 40GE QSFP+
Table of MAC addresses	32K
Security	1K ACL rules IP ACL, MAC ACL, MAC-IP ACL, Userdefined ACL Port-Security, IP-MAC-Port binding, DHCP Snooping, DHCP Relay, DHCP Opt.82 Broadcast/Multicast/Unicast traffic limitation, Loopback detection, 802.1x, MAB CPU traffic limitation
L2-Multicast	IGMPv1/v2/v3 Snooping, Multicast VLAN Registration (MVR), Multicast Source/Destination Control, Multicast Filter
QoS	8 queues per port, SP, WRR, SP+WRR, DWRR, tagging/re-tagging CoS, DSCP, Bandwidth Limitation
Redundancy Protocols	STP, RSTP, MSTP, ERPS, LACP
Redundant Power Supply	SNR-S2990X-24FQ: 220 V AC + 48 V DC power monitoring SNR-S2990X-24FQ-2AC: 220 V AC + 220 V AC
Management	CLI, WEB, SNMP

ORDERING INFORMATION

Model	Description
SNR-S2990X-24FQ	Layer 2+ managed switch, 24 x 1/10GE SFP+, 2 x QSFP+. Power supply: 220 V AC + 48 V DC
SNR-S2990X-24FQ-2AC	Layer 2+ managed switch, 24 x 1/10GE SFP+, 2 x QSFP+. Power supply: two integrated power supply units 220 V AC



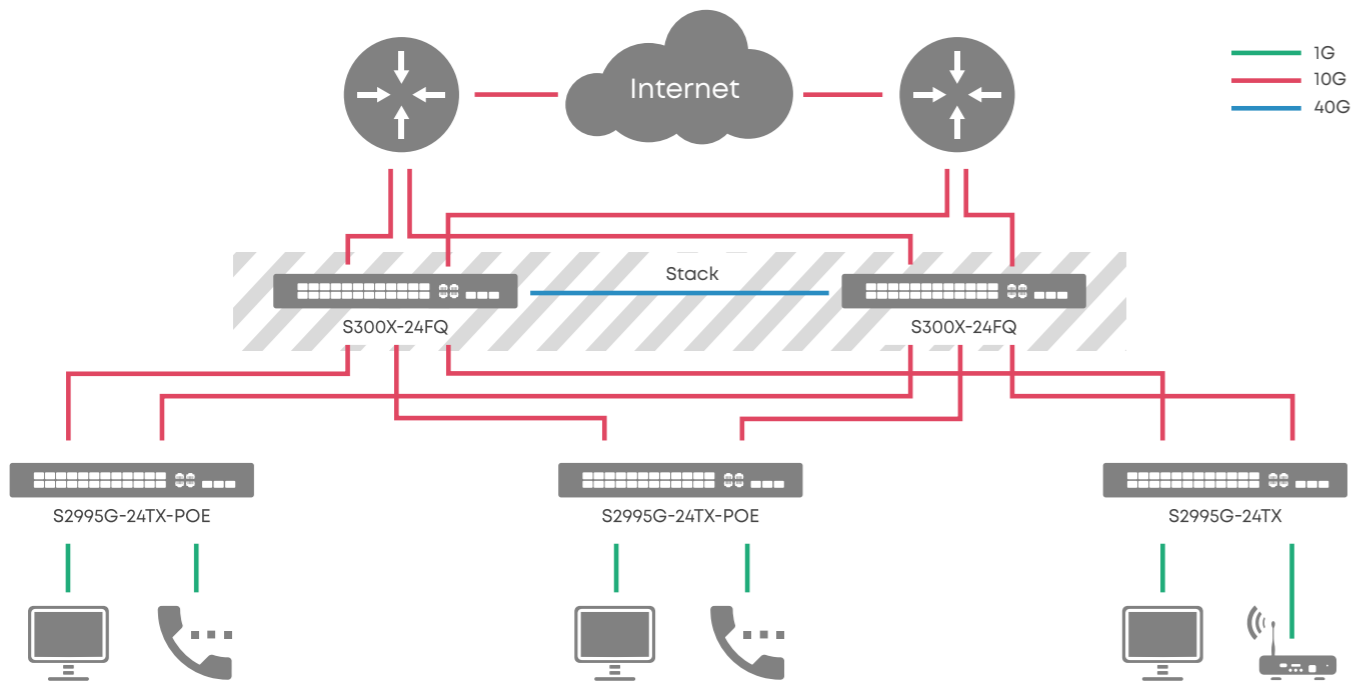
SNR-S300X-24FQ

- 8 x 1GE RJ45, 24 x 1/10GE SFP+
- 2 x 40GE QSFP+
- 16K Ipv4-routes
- 16K ARP
- 32K routes
- OSPF, BGP, PIM



SNR-S300X-24FQ is a new generation stackable 10/40GE switch with advanced hardware architecture and powerful L2 and L3 functionality. The switch is designed to be applied at the aggregation/core level.

Unique combination of interfaces - 8 copper GE ports, 24 x 10G SFP+ ports and 2 x 40G QSFP+ ports - allows to solve a wide range of tasks. Stacking is accomplished through standard 40GE QSFP+ interfaces and does not require the use of additional cards. Modern Broadcom chipset allows all interfaces to work simultaneously at full speed, with a total capacity of 656Gbps.



PRODUCT HIGHLIGHTS

VLAN	4094 VLAN, Voice-VLAN, Private-VLAN, MAC-VLAN, Port-based QinQ, Selective QinQ, VLAN Translation
Interfaces	8 x 10/100/1000Base-T, 24 x 1/10GE SFP+, 2 x 40GE QSFP+
Table of MAC addresses	32K
Table of ARP Entries	16K
Security	3K ACL rules, ingress and egress ACL IP ACL, MAC ACL, MAC-IP ACL, Userdefined ACL Port-Security, IP-MAC-Port binding, DHCP Snooping, DHCP Relay, DHCP Opt.82 Broadcast/Multicast/Unicast traffic limitation, Loopback detection, 802.1x, MAB CPU traffic limitation
L3-Functionality	Static Routing, Dynamic Routing: RIP, OSPFv2/v3, BGPv4+ Multicast traffic routing: PIM-SM, PIM-DM, PIM-SSM, MSDP IPv4 routing table size: 16K routes ARP table size: 16K
L2-Multicast	IGMPv1/v2/v3 Snooping, Multicast VLAN Registration (MVR), Multicast Source/Destination Control, Multicast Filter
QoS	8 queues per port, SP / WRR / DWRR / SP + WRR / SP + DWRR, tagging/re-tagging CoS/DSCP, bandwidth limitation
Redundancy Protocols	STP, RSTP, MSTP, LACP, ERPS
Redundant Power Supply	SNR-S300X-24FQ: 220 V AC + 48 V DC, AC power monitoring SNR-S300X-24FQ-2AC: 220 V AC + 220 V AC
Management	CLI, WEB, SNMP

ORDERING INFORMATION

Model	Description
SNR-S300X-24FQ	Layer 3 managed switch, 8 x 10/100/1000Base-T, 24 x 1/10GE SFP+, 2 x 40GE QSFP+. Power supply: 220 V AC + 48 V DC
SNR-S300X-24FQ-2AC	Layer 3 managed switch, 8 x 10/100/1000 Base-T, 24 x 1/10GE SFP+, 2 x 40GE QSFP+. Power supply: two integrated power supply units 220 V AC

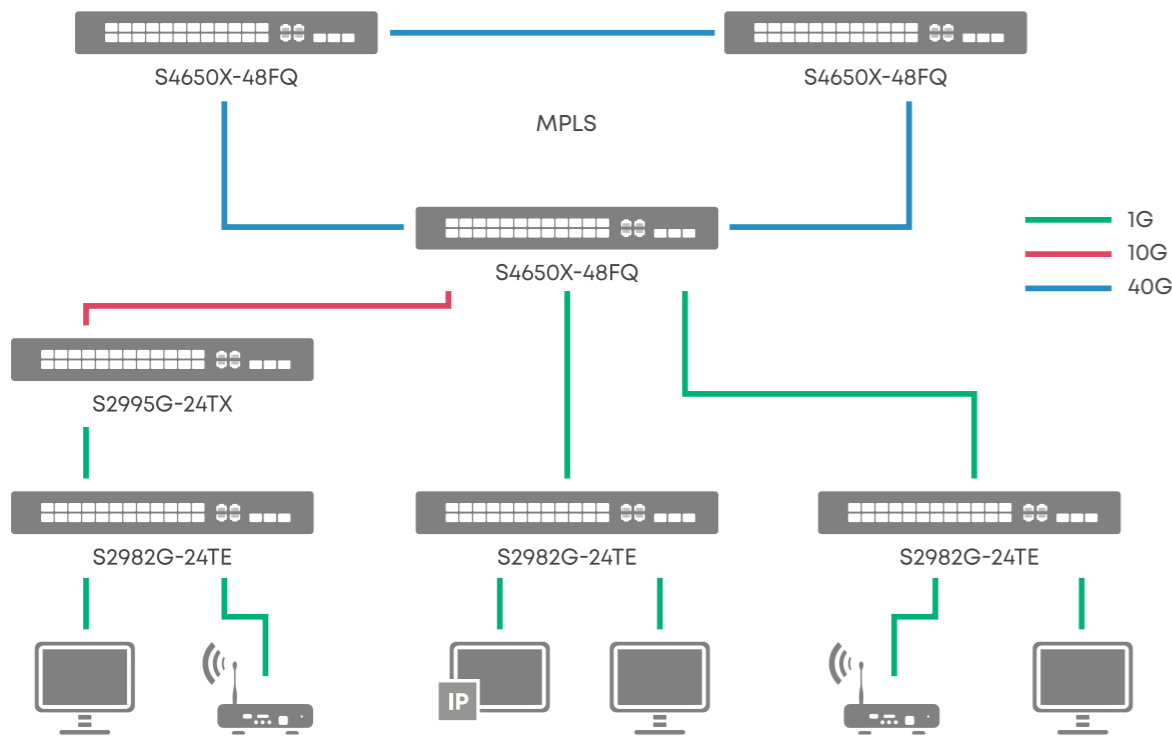


SNR-S4650X-48FQ

- 48 x 1/10GE SFP+
- 6 x 40GE QSFP+
- up to 288K MAC
- up to 128K routes
- Hot Swap PSU 1 + 1
- L3, MPLS, VXLAN Functionality

SNR-S4650X-48FQ is a new generation high performance L3/MPLS switch. The model is equipped with 48 x 10G SFP+ ports and 6 x 40G SFP+ ports, switching matrix total performance is up to 1440Gbps.

SNR-S4650 guarantees a high level of fault tolerance with modular power supply units and support of L2/L3 redundancy protocols.



PRODUCT HIGHLIGHTS

VLAN	4094 VLAN, Voice-VLAN, Private-VLAN, MAC-VLAN, Port-based QinQ, Selective QinQ, VLAN Translation
Interfaces	48 x 1/10GE SFP+, 6 x 40GE QSFP+
Table of MAC addresses	288K
Security	1K ACL rules, ingress and egress ACLs, IP ACL, MAC ACL, MAC-IP ACL, Userdefined ACL, Port-Security, IP-MAC-Port binding, DHCP Snooping, DHCP Relay, DHCP Opt.82, Broadcast/Multicast/Unicast traffic restriction, Loopback detection, 802.1x, MAB, CPU traffic limitation
L3-Functionality	Static Routing, Dynamic Routing: RIP, OSPFv2/v3, BGPv4+, Multicast traffic routing: PIM-SM, PIM-DM, PIM-SSM, MSDP, IPv4 routing table size: 16K routes, ARP table size: 16K
MPLS	LDP, VPWS, VPLS, L3VPN
L2-Multicast	IGMPv1/v2/v3 Snooping, Multicast VLAN Registration (MVR), Multicast Source/Destination Control, Multicast Filter
QoS	8 queues per port, SP / WRR / DWRR / SP + WRR / SP + DWRR, CoS/DSCP tagging/re-tagging, bandwidth limiting
Redundancy Protocols	STP, RSTP, MSTP, LACP, ERPS
Redundant Power Supply	Two Hot Swap power supplies, power monitoring
Management	CLI, WEB, SNMP

ORDERING INFORMATION

Model	Description
SNR-S4650X-48FQ	Layer 3 managed switch, 48 x 1/10GE SFP+, 6 x 40G QSFP+. Power supply: 2 slots for modular power supply units (2 x PSU AC 220 V pre-installed)



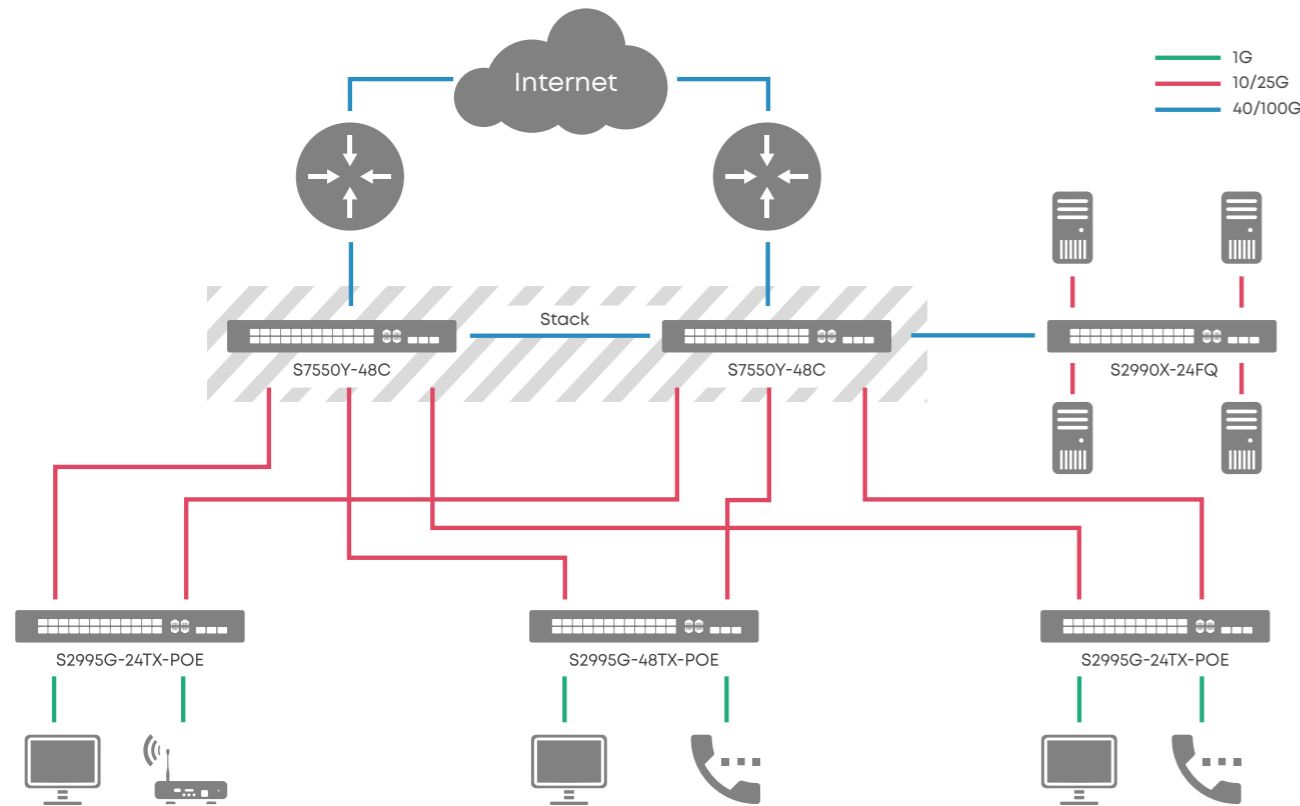


SNR-S7550Y-48C

- 48 x 10/25GE SFP28
- 6 x 40/100GE QSFP28
- Up to 104K MAC
- Hot Swap PSU 1+1
- L3, MPLS, EVPN-VXLAN Functionality

The SNR-S7550Y-48C L3/MPLS switch is a high-performance device designed for core/network aggregation applications or as a TOR switch in data centers.

The switches have 48 x 10/25G SFP28 ports and 6 x 40/100G QSFP28 ports. The non-blocking switching matrix allows all interfaces to operate simultaneously at full speed, with a total capacity of 3352Gbps. SNR-S7550Y-48C guarantees a high level of fault tolerance with modular power supply units and support of L2/L3 redundancy protocols.



PRODUCT HIGHLIGHTS

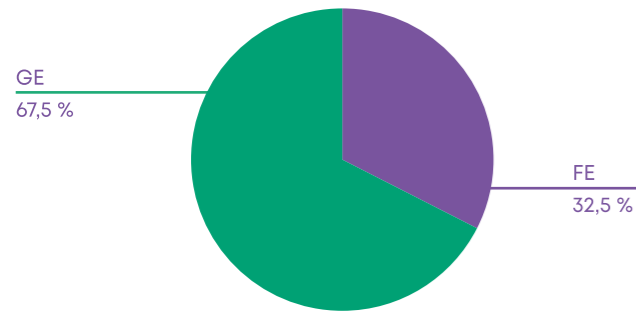
VLAN	4094 VLAN, Voice-VLAN, Private-VLAN, MAC-VLAN, Port-based QinQ, Selective QinQ, VLAN Translation
Datacenter	VXLAN Static tunnel EVPN-VXLAN VXLAN L2 gateway VXLAN L3 gateway
Interfaces	48 x 10/25GE SFP28, 6x 40/100GE QSFP28
Table of MAC addresses	Up to 104K
Security	4K ACL rules, ingress and egress ACLs, IP ACL, MAC ACL, MAC-IP ACL, Userdefined ACL Port-Security, IP-MAC-Port binding, DHCP Snooping, DHCP Relay, DHCP Opt.82 Broadcast/Multicast/Unicast traffic limitation, Loopback detection, 802.1x, MAB CPU traffic limitation
L3-Functionality	Static Routing, Dynamic Routing: RIP, OSPFv2/v3, BGPv4+ Multicast traffic routing: PIM-SM, PIM-DM, PIM-SSM, MSDP IPv4 routing table size: 128K routes ARP table size: 32K
MPLS	LDP, VPWS, VPLS, L3VPN
L2-Multicast	GMPv1/v2/v3 Snooping, Multicast VLAN Registration (MVR), Multicast Source/Destination Control, Multicast Filter
QoS	8 queues per port, SP / WRR / DWRR / SP + WRR / SP + DWRR, tagging/re-tagging CoS/DSCP, bandwidth limitation
Redundancy Protocols	STP, RSTP, MSTP, LACP, ERPS
Redundant Power Supply	Two Hot Swap power supplies, power monitoring
Management	CLI, WEB, SNMP

ORDERING INFORMATION

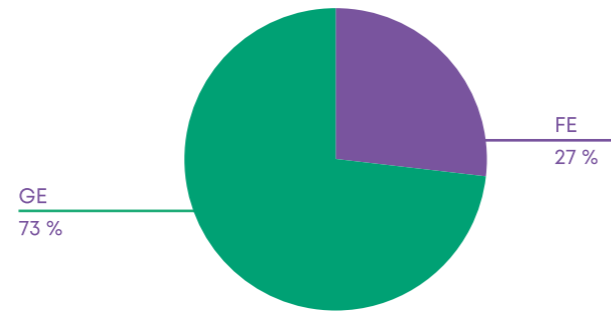
Model	Description
SNR-S7550Y-48C	Layer 3 managed switch, 48 x 10/25GE SFP28, 6 x 40/100GE QSFP28. Power supply: 2 slots for modular power supply units (2 x PSU AC 220 V pre-installed)



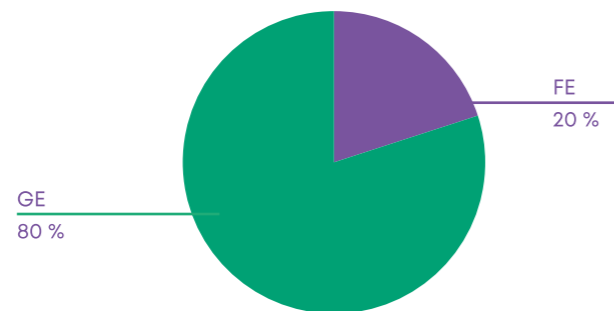
FE/GE ACCESS PORTS 2020



FE/GE ACCESS PORTS 2021



FE/GE ACCESS PORTS 2022



ACCESS LAYER SNR SWITCHES

Reliable and modern managed access layer SNR switches are designed for use on networks of any scale. Extensive experience working with telecom operators and corporate clients allows us to create equipment that meets the requirements of our customers in the best way.

The SNR access switch portfolio includes the following switches and series:

SNR-S2965-8T is an 8-port L2 Ethernet access switch equipped with FE and GE Downlink ports and GE SFP Uplink ports. The switch is suitable for ISPs with access speeds up to 100 Mbps and a small number of users to connect. At the same time, SNR-S2965-8T has 2 x 10/100/1000Base-T RJ45 ports for connecting clients at 1000 Mbps and less.

SNR-S2962-24T is an L2 switch equipped with FE + GE Downlink ports and GE SFP Uplink ports. This is a cost-effective carrier-class solution for engineering an access layer with access speeds up to 100 Mbps. In addition, the switch has 1GE RJ45 ports for connecting clients at 1000 Mbps and less.

S2982G series are fully gigabit L2 switches. The equipment of this series is a cost-effective carrier-class solution for engineering access levels with rates above 100 Mbps. The series includes models with PoE support, so it will find use in corporate networks.

S2985G is a fully gigabit series. Suitable for both telecom operators providing services with speeds above 100 Mbps, and corporate clients, thanks to the availability of models with PoE support. Gigabit ports and a Non-blocking architecture allow providing services at 1 Gbps and less and ensure the safety of investments.

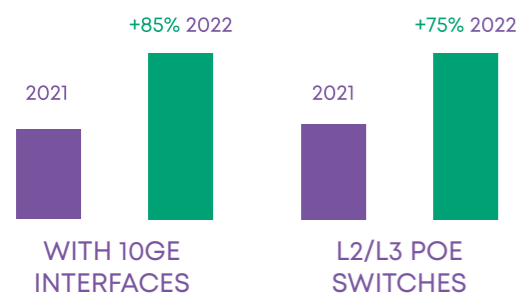
S2989G is a series of L2+ access switches with 4 x 1/10GE SFP+ Uplink ports and 24/48 x1GE RJ45 Downlink ports and will take end-user connectivity to a new level. The high-performance switching matrix and comprehensive functionality make the series an ideal solution for connecting users at high speeds.

S5210G is a series of L2+ switches. The SNR-S5210G-24/48TX series gigabit access switch is equipped with 1/10GE SFP+ Uplink ports, 24/48 1GE RJ45 ports, and is a cost-effective solution for building gigabit access with 10GE-Uplink.

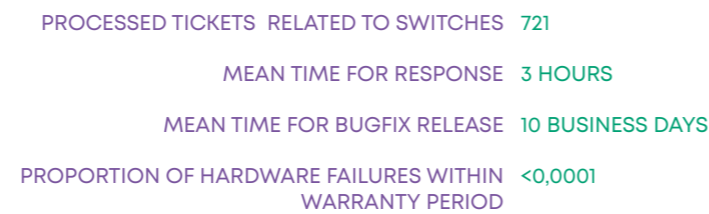
S2995G — Gigabit access switches with 1/10GE SFP+ Uplink ports and L3 functionality. The models of this series are equipped with 24 or 48 1GE RJ45 ports (including PoE models), as well as 4 1/10GE SFP+ Uplink ports. The functionality of creating up to 1K routes, support of BGP, PIM, OSPF protocols enable using switches of this series for engineering high-speed connections both in carrier networks and in corporate networks.

S3850G — Gigabit access switches with 1/10GE SFP+ Uplink ports and L3 functionality. The series models are equipped with 24 or 48 1GE RJ45 ports, as well as 4 1/10GE SFP+ Uplink ports and two built-in AC power supplies. The functionality of creating up to 13K routes, support of BGP, PIM, OSPF protocols allows using this series of switches for organizing high-speed connections both in carrier networks and in corporate networks.

SWITCHES SALES GROWTH



SUPPORT STATISTICS



S2989G SERIES

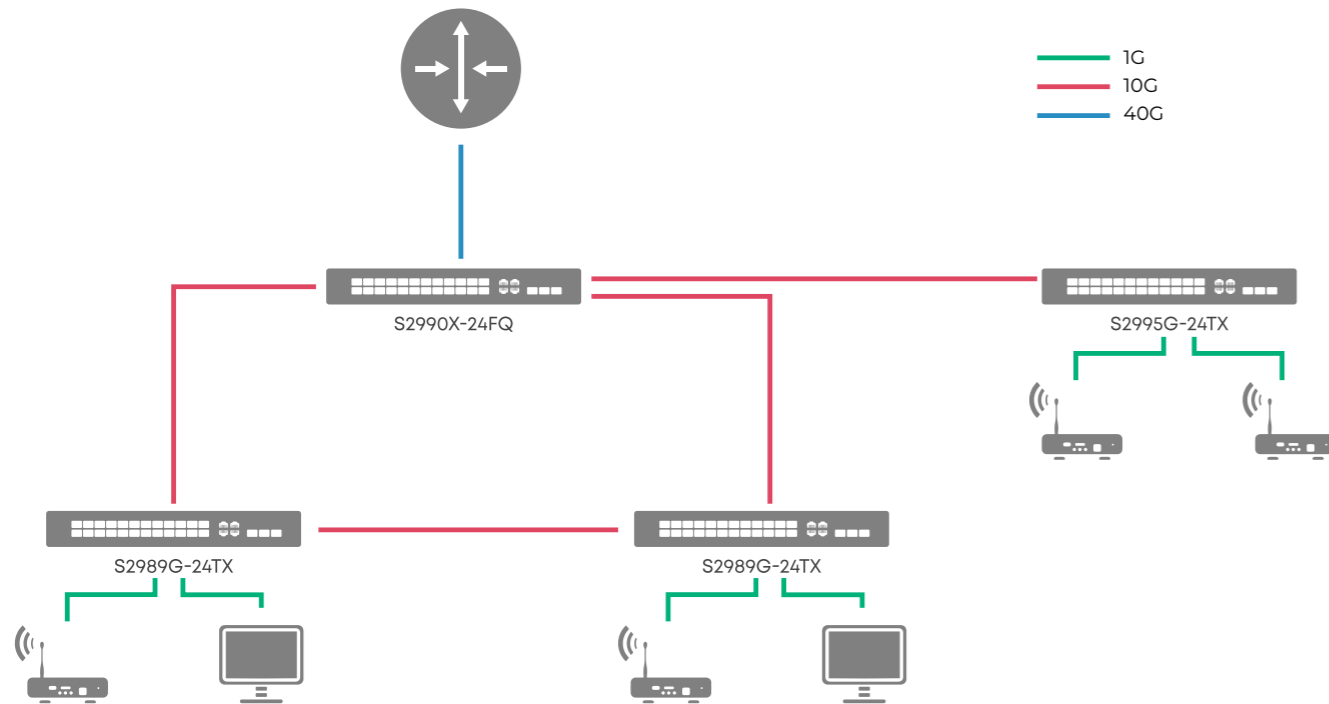


- 1GE RJ-45 Downlink and 1/10GE SFP+ Uplink-порты
- Non-blocking architecture
- Built-in lightning protection on all ports
- SW based on the S2995G series
- Models with PoE

The S2989G series is a new generation of L2+ access switches. Currently, the series includes models with 24 or 48 x GE RJ45 ports and 4 x 10GE SFP+ Uplink ports, which are perfect for building gigabit access with 10GE-Uplink.

Support of L2+ redundancy protocols with fast convergence enables building flexible and fault-tolerant networks based on this series.

In addition, the S2989G series switches have a generic SNR CLI and SNMP MIB, as well as software based on the S2995G series, which simplifies the implementation and maintenance of equipment on the network.



PRODUCT HIGHLIGHTS

VLAN	4094 VLAN, Voice-VLAN, Private-VLAN, MAC-VLAN, Port-based QinQ, Selective QinQ, VLAN Translation
Interfaces	SNR-S2989G-8TX: 8 x 10/100/1000Base-T, 4 x 1/10GE SFP+ SNR-S2989G-8TX-POE: 8 x PoE 10/100/1000Base-T, 4 x 1/10GE SFP+ SNR-S2989G-24TX-POE: 24 x PoE 10/100/1000Base-T, 4 x 1/10GE SFP+ SNR-S2989G-48TX-POE: 48 x PoE 10/100/1000Base-T, 4 x 1/10GE SFP+
PoE	SNR-S2989G-8TX-POE: 802.3af/at 125 W SNR-S2989G-24TX-POE: 802.3af/at 370 W SNR-S2989G-48TX-POE: 802.3af/at 740 W
Table of MAC addresses	16K
Security	SNR-S2989G-24TX (-POE -8TX -8TX-POE): 512 ACL rules SNR-S2989G-48TX (-POE): 1024 ACL rules IP ACL, MAC ACL, MAC-IP ACL, Userdefined ACL Port-Security, IP-MAC-Port binding, DHCP Snooping, DHCP Relay, DHCP Opt.82 Broadcast/Multicast/Unicast traffic limitation, Loopback detection, 802.1x, MAB CPU traffic limitation
L2-Multicast	IGMPv1/v2/v3 Snooping, Multicast VLAN Registration (MVR), Multicast Source/Destination Control, Multicast Filter
QoS	8 queues per port, SP, WDRR, SP + WDRR, tagging/re-tagging CoS, DSCP, Bandwidth Limiting
Redundancy Protocols	STP, RSTP, MSTP, ERPS, LACP
Redundant Power Supply	SNR-S2989G-24TX-RPS: 220 V AC + 12 V DC SNR-S2989G-24TX-UPS: 220 V AC + 12 V battery connector with charging feature SNR-S2989G-48TX-RPS: 220 V AC + 12 V DC
Management	CLI, WEB, SNMP

ORDERING INFORMATION

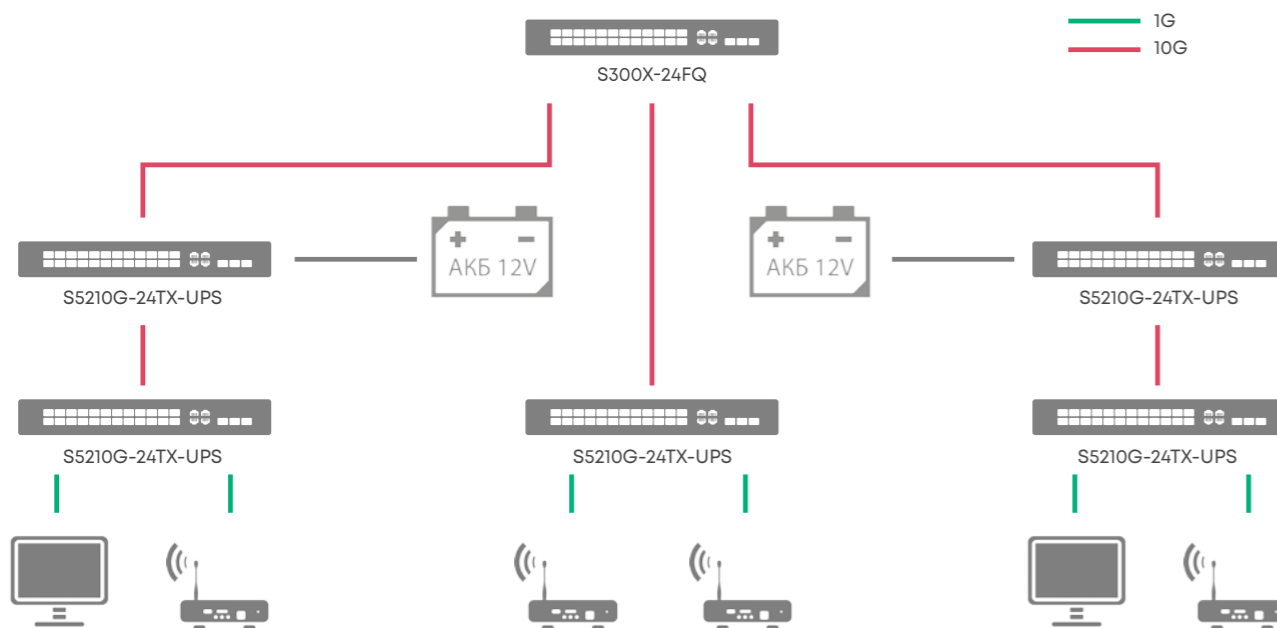
Model	Description
SNR-S2989G-8TX	Layer 2+ managed switch, 8 x 10/100/1000Base-T, 4 x 1/10GE SFP+. Power supply: 220 V AC
SNR-S2989G-8TX-POE	Layer 2+ managed switch, 8 x PoE 10/100/1000Base-T, 4 x 1/10GE SFP+. Power supply: 220 V AC, PoE 125 W
SNR-S2989G-24TX	Layer 2+ managed switch, 24 x 10/100/1000Base-T, 4 x 1/10GE SFP+. Power supply: 220 V AC
SNR-S2989G-24TX-POE	Layer 2+ managed switch, 24 x PoE 10/100/1000Base-T, 4 x 1/10GE SFP+. Power supply: 220 V AC, PoE 370 W
SNR-S2989G-24TX-RPS	Layer 2+ managed switch, 24 x 10/100/1000Base-T, 4 x 1/10GE SFP+. Power supply: 220 V AC + 12 V DC
SNR-S2989G-24TX-UPS	Layer 2+ managed switch, 24 x 10/100/1000Base-T, 4 x 1/10GE SFP+. Power supply: 220 V AC + connector for 12 V battery with charging feature
SNR-S2989G-24TX-DC	Layer 2+ managed switch, 24 x 10/100/1000Base-T, 4 x 1/10GE SFP+. Power supply: 48 VDC
SNR-S2989G-48TX	Layer 2+ managed switch, 48 x 10/100/1000Base-T, 4 x 1/10GE SFP+. Power supply: 220 V AC
SNR-S2989G-48TX-POE	Layer 2+ managed switch, 48 x PoE 10/100/1000Base-T, 4 x 1/10GE SFP+. Power supply: 220 V AC, PoE 740 W
SNR-S2989G-48TX-RPS	Layer 2+ managed switch, 48 x 10/100/1000Base-T, 4 x 1/10GE SFP+. Power supply: 220 V AC + 12 V DC

S5210G SERIES



- Redundant Power Supply Support
- 1GE RJ-45 Downlink and 1/10GE SFP+ Uplink-ports
- Non-blocking architecture
- Built-in lightning protection on all ports

SNR-S5210G - switches for connecting end users of telecom operators and corporate networks. The switches are equipped with 1/10GE SFP+ Uplink ports, 24 x GE RJ45 ports, this series is a cost-effective solution for building Gigabit access with 10GE Uplink.

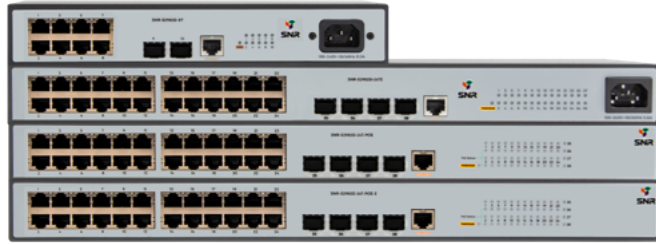


PRODUCT HIGHLIGHTS

VLAN	4094 VLAN, Voice-VLAN, MAC-VLAN, Port-Base QinQ, Selective QinQ
Interfaces	SNR-S5210G-24TX: 24 x 10/100/1000Base-T, 4 x 1/10GE SFP+ SNR-S5210G-24TX-POE: 24 x PoE 10/100/1000Base-T, 4 x 1/10GE SFP+
PoE	SNR-S5210G-24TX-POE: 802.3af/at 370 W
Table of MAC addresses	16K
Security	1536 ACL rules IP ACL, MAC ACL IP-MAC-Port binding, DHCP Snooping, DHCP Relay, DHCP Opt.82 Broadcast/Multicast/Unicast traffic limitation, Loopback detection CPU traffic limitation
L2-Multicast	IGMPv1/v2/v3 Snooping, Multicast VLAN Registration (MVR), Multicast Source/Destination Control, Multicast Filter
L3-Functionality	Static routing, 512 routes, 2K ARP entries, 32 IP interfaces
QoS	8 queues per port, SP, WDRR, SP + WDRR, tagging/re-tagging CoS, DSCP, Bandwidth Limitation
Redundancy Protocols	STP, RSTP, LACP
Redundant Power Supply	SNR-S5210G-24TX-UPS: 220 V AC + 12 V battery connector with charging feature SNR-S5210G-24TX-DC: 220 V AC + 48 V DC, power monitoring
Management	CLI, SNMP

ORDERING INFORMATION

Model	Description
SNR-S5210G-24TX	Layer 2+ managed switch, 24 x 10/100/1000Base-T, 4 x 1/10GE SFP+. Power supply: 220 V AC
SNR-S5210G-24TX-DC	Layer 2+ managed switch, 24 x 10/100/1000Base-T, 4 x 1/10GE SFP+. Power supply: 220 V AC + 48 V DC, power monitoring
SNR-S5210G-24TX-POE	Layer 2+ managed switch, 24 x PoE 10/100/1000Base-T, 4 x 1/10GE SFP+. Power supply: 220 V AC, PoE 370 W
SNR-S5210G-24TX-UPS	Layer 2+ managed switch, 24 x 10/100/1000Base-T, 4 x 1/10GE SFP+. Power supply: 220 V AC + connector for 12 V battery with charging feature



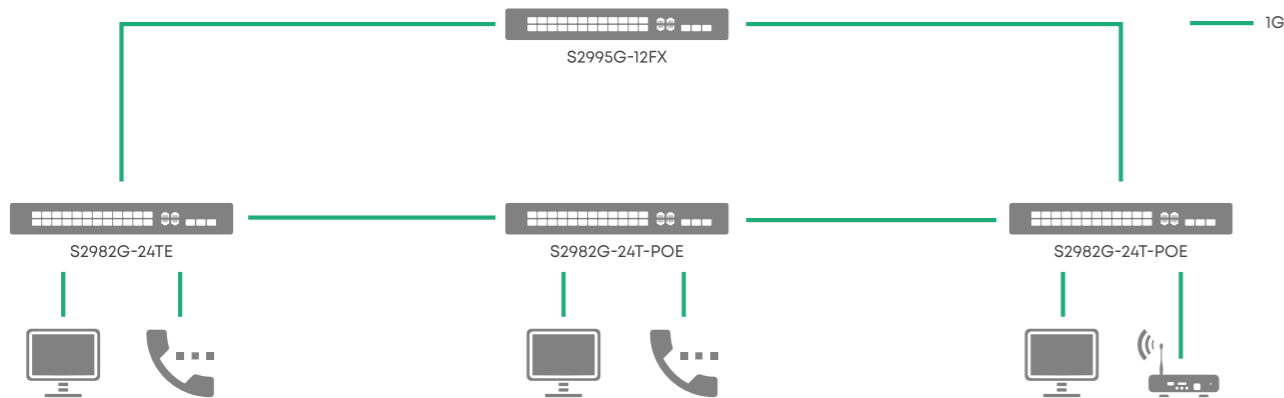
S2982G SERIES

- Cost-effective Carrier-Class Solution
- Gigabit Uplink and Downlink ports
- Switch with line-rate performance
- Comprehensive security functionality
- Easy configuration via Cisco-like CLI, web interface
- Redundancy protocols with fast convergence
- Built-in lightning protection on all ports

SNR S2982G series switches are the reliable and functional solution for engineering Gigabit Ethernet access in telecom networks, corporate networks, and support all the necessary functionality.

In addition, some models support PoE 802.3af and PoE 802.3at technology which reduces cost of ownership and simplifies network maintenance by powering Wi-Fi points, IP/Video phones and thin clients directly from the switch.

Popular S2962/S2965/S2982G/S2985G switch series has a single software base, which, together with the identical SNR CLI and a common MIB file, simplifies hardware implementation and maintenance.



PRODUCT HIGHLIGHTS

VLAN	4094 VLAN, Voice-VLAN, Private-VLAN, MAC-VLAN, Port-based QinQ, Selective QinQ, VLAN Translation
Interfaces	SNR-S2982G-8T (-RPS -UPS -DC): 8 x 10/100/1000Base-T, 2 x 100/1000Base-X SFP SNR-S2982G-24TE (-RPS -UPS -DC): 24 x 10/100/1000Base-T, 4 x 100/1000Base-X SFP SNR-S2982G-24T-POE (-E): 24x PoE 10/100/1000Base-T, 4 x 100/1000Base-X SFP
Table of MAC addresses	8K
Security	1408 ACL rules IP ACL, MAC ACL, MAC-IP ACL, Userdefined ACL Port-Security, IP-MAC-Port binding, DHCP Snooping, DHCP Relay, DHCP Opt.82 Broadcast/Multicast/Unicast traffic restriction, Loopback detection, 802.1x, MAB CPU traffic limitation
L2-Multicast	IGMPv1/v2/v3 Snooping, Multicast VLAN Registration (MVR), Multicast Source/Destination Control, Multicast Filter
QoS	8 queues per port, SP / WRR / DWRR / SP + WRR / SP + DWRR, tagging/re-tagging CoS/DSCP, bandwidth limitation
Redundancy Protocols	STP, RSTP, MSTP, ERPS, LACP
PoE	SNR-S2982G-24T-POE: 802.3af/at 185 W SNR-S2982G-24T-POE-E: 802.3af/at 370 W
Management	CLI, WEB, SNMP
Redundant Power Supply	SNR-S2982G-8T-RPS: 220 V AC + RPS port 12 V SNR-S2982G-8T-UPS: 220 V AC + 12V battery connector with charging feature SNR-S2982G-24TE-RPS: 220 V AC + 12 V DC SNR-S2982G-24TE-UPS: 220 V AC + 12V battery connector with charging feature SNR-S2982G-24TE-DC: 220 V AC + 48 V DC SNR-S2982G-8T-DC: 220V AC + 48V DC

ORDERING INFORMATION

Model	Description
SNR-S2982G-8T	Layer 2 managed switch, 8 x 10/100/1000Base-T, 2 x 100/1000Base-X SFP. Power supply: 220 V AC
SNR-S2982G-8T-RPS	Layer 2 managed switch, 8 x 10/100/1000Base-T, 2 x 100/1000Base-X SFP. Power supply: 220 V AC + 12 V DC
SNR-S2982G-8T-UPS	Layer 2 managed switch, 8 x 10/100/1000Base-T, 2 x 100/1000Base-X SFP. Power supply: 220 V AC + connector for 12 V battery with charging feature
SNR-S2982G-24TE	Layer 2 managed switch, 24 x 10/100/1000Base-T, 4 x 100/1000Base-X SFPs. Power supply: 220 V AC
SNR-S2982G-24T-POE	Layer 2 managed PoE switch, 24 x PoE 10/100/1000Base-T, 4 x 100/1000Base-X SFP. Power supply: 220 V AC. PoE 185W
SNR-S2982G-24T-POE-E	Layer 2 managed PoE switch, 24 x PoE 10/100/1000Base-T, 4 x 100/1000Base-X SFP. Power supply: 220 V AC. PoE 370W
SNR-S2982G-8T-DC	Layer 2 managed switch, 8 x 10/100/1000Base-T, 2 x 100/1000Base-X SFP. Power supply: 48V DC
SNR-S2982G-24TE-RPS	Layer 2 managed switch, 24 x 10/100/1000Base-T, 4 x 100/1000Base-X SFPs. Power supply: 220 V AC + 12 V DC
SNR-S2982G-24TE-UPS	Layer 2 managed switch, 24 x 10/100/1000Base-T, 4 x 100/1000Base-X SFPs. Power supply: 220 V AC + connector for 12 V battery with charging feature
SNR-S2982G-24TE-DC	Layer 2 managed switch, 24 x 10/100/1000Base-T, 4 x 100/1000Base-X SFPs. Power supply: 48V DC

S2985G SERIES



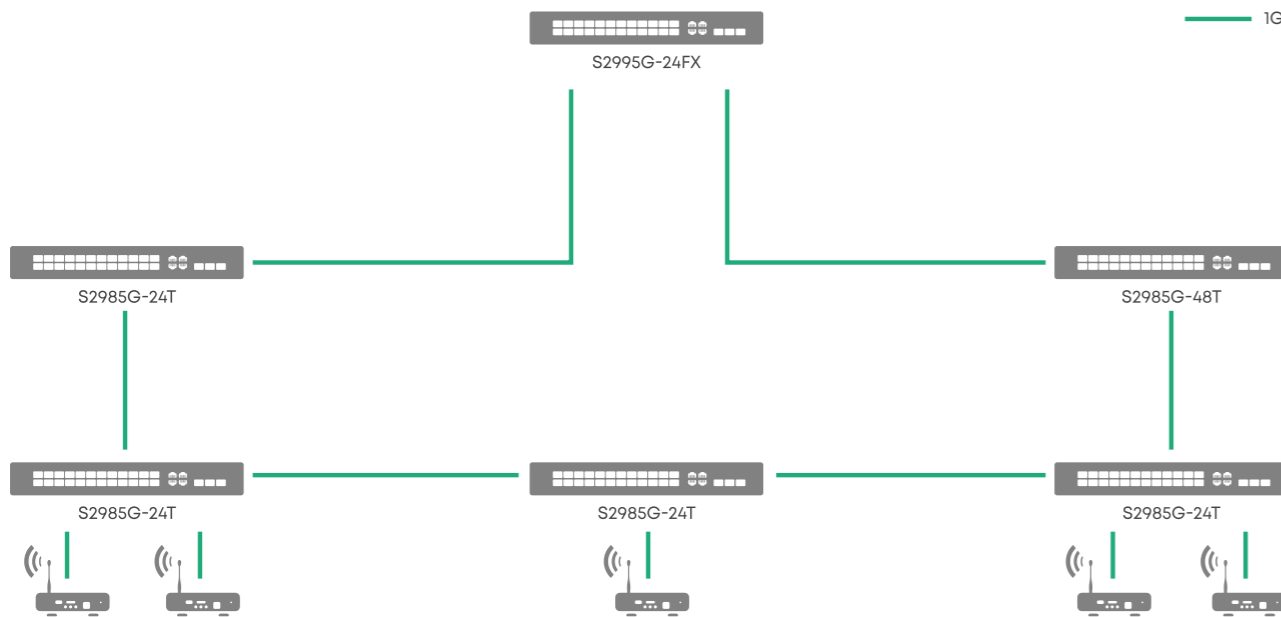
- Gigabit Uplink and Downlink ports
- Comprehensive security functionality
- Non-blocking architecture
- Redundant Power Supply
- Easy configuration via Cisco-like CLI, web interface
- Built-in lightning protection on all ports

The S2985G series switches are a reliable and functional solution for engineering Gigabit Ethernet access in telecom operator and corporate networks. The series provides all the features you need to create secure and fault-tolerant networks, ensuring investment safety and high performance.

Popular S2962/S2965/S2982G/S2985G switch series has a single software base, which, together with the identical SNR CLI and a common MIB file, simplifies hardware implementation and maintenance.

The SNR-S2985G-8T-POE model with PoE support allows you to provide power to IP phones, access points, IP cameras directly from the switch.

Models of the series with RPS-port allow connecting a backup power supply unit with a 12V DC voltage. In addition, the SNR-S2985G-24T-UPS model is equipped with a 12V battery connector with a capacity of 5-20 Ah and has a built-in battery charge / discharge controller.



PRODUCT HIGHLIGHTS

VLAN	4094 VLAN, Voice-VLAN, Private-VLAN, MAC-VLAN, Port-based QinQ, Selective QinQ, VLAN Translation
Interfaces	SNR-S2985G-8T-POE: 8 x PoE 10/100/1000Base-T, 2 x 100/1000Base-X SFP SNR-S2985G-24T (-UPS -RPS -DC): 24 x 10/100/1000Base-T, 4 x 100/1000Base-X SFP SNR-S2985G-48T (-RPS -DC): 48 x 10/100/1000Base-T, 4 x 100/1000Base-X SFP SNR-S2985G-24TC (-RPS -DC): 24 x 10/100/1000Base-T, SFP 1GE, 2 x 100/1000Base-X SFP
Table of MAC addresses	SNR-S2985G-8T-POE: 8K Other models: 16K
Security	SNR-S2985G-8T-POE: 1408 ACL rules Other models: 2K ACL rules IP ACL, MAC ACL, MAC-IP ACL, Userdefined ACL Port-Security, IP-MAC-Port binding, DHCP Snooping, DHCP Relay, DHCP Opt.82 Broadcast/Multicast/Unicast traffic restriction, Loopback detection, 802.1x, MAB CPU traffic limitation
L2-Multicast	IGMPv1/v2/v3 Snooping, Multicast VLAN Registration (MVR), Multicast Source/Destination Control, Multicast Filter
QoS	8 queues per port, SP / WRR / DWRR / SP + WRR / SP + DWRR, CoS/DSCP tagging/re-tagging, bandwidth limiting
Redundancy Protocols	STP, RSTP, MSTP, ERPS, LACP
PoE	SNR-S2985G-8T-POE: 802.3af/at 124 W
Management	CLI, WEB, SNMP
Redundant Power Supply	SNR-S2985G-8T-POE-DC: 220 V AC + 48 V DC SNR-S2985G-24T-RPS, SNR-S2985G-48T-RPS, SNR-S2985G-24TC-RPS: 220 V AC + 12 V RPS port SNR-S2985G-24T-DC, SNR-S2985G-24TC-DC: 48 V DC SNR-S2985G-24T-UPS: 220 V AC + 12 V battery connector with charging feature, power monitoring, battery voltage monitoring

ORDERING INFORMATION

Model	Description
SNR-S2985G-8T-POE	Layer 2 managed PoE switch, 8 x PoE 10/100/1000Base-T, 2 x 100/1000Base-X SFP. Power supply: 220 V AC. PoE 124W
SNR-S2985G-8T-POE-DC	Layer 2 managed PoE switch, 8 x PoE 10/100/1000Base-T, 2 x 100/1000Base-X SFP. Power supply: 220 V AC + 48 V DC. PoE 124W
SNR-S2985G-24T	Layer 2 managed switch, 24 x 10/100/1000Base-T, 4x 100/1000Base-X SFP. Power supply: 220 V AC
SNR-S2985G-24T-UPS	Layer 2 managed switch, 24 x 10/100/1000Base-T, 4 x 100/1000Base-X SFPs. Power supply: 220 V AC + connector for 12 V battery with charging feature
SNR-S2985G-24T-RPS	Layer 2 managed switch, 24 x 10/100/1000Base-T, 4 x 100/1000Base-X SFPs. Power supply: 220 V AC + RPS port 12 V DC
SNR-S2985G-24T-DC	Layer 2 managed switch, 24 x 10/100/1000Base-T, 4 x 100/1000Base-X SFPs. Power supply: 48 V DC
SNR-S2985G-24TC	Layer 2 Managed Switch, 24 x 10/100/1000Base-T, 2x Combo RJ45/SFP 1GE, 2 x 100/1000Base-X SFP. Power supply: 220 V AC
SNR-S2985G-24TC-RPS	Layer 2 Managed Switch, 24 x 10/100/1000Base-T, 2x Combo RJ45/SFP 1GE, 2 x 100/1000Base-X SFP. Power supply: 220 V AC + 12 V DC
SNR-S2985G-24TC-DC	Layer 2 Managed Switch, 24 x 10/100/1000Base-T, 2x Combo RJ45/SFP 1GE, 2 x 100/1000Base-X SFP. Power supply: 48 V DC
SNR-S2985G-48T	Layer 2 managed switch, 48 x 10/100/1000Base-T, 4 x 100/1000Base-X SFPs. Power supply: 220 V AC
SNR-S2985G-48T-RPS	Layer 2 managed switch, 48 x 10/100/1000Base-T, 4 x 100/1000Base-X SFPs. Power supply: 220 V AC + RPS port 12 V DC
SNR-S2985G-48T-DC	Layer 2 managed switch, 48 x 10/100/1000Base-T, 4 x 100/1000Base-X SFPs. Power supply: 48 V DC

S2995G

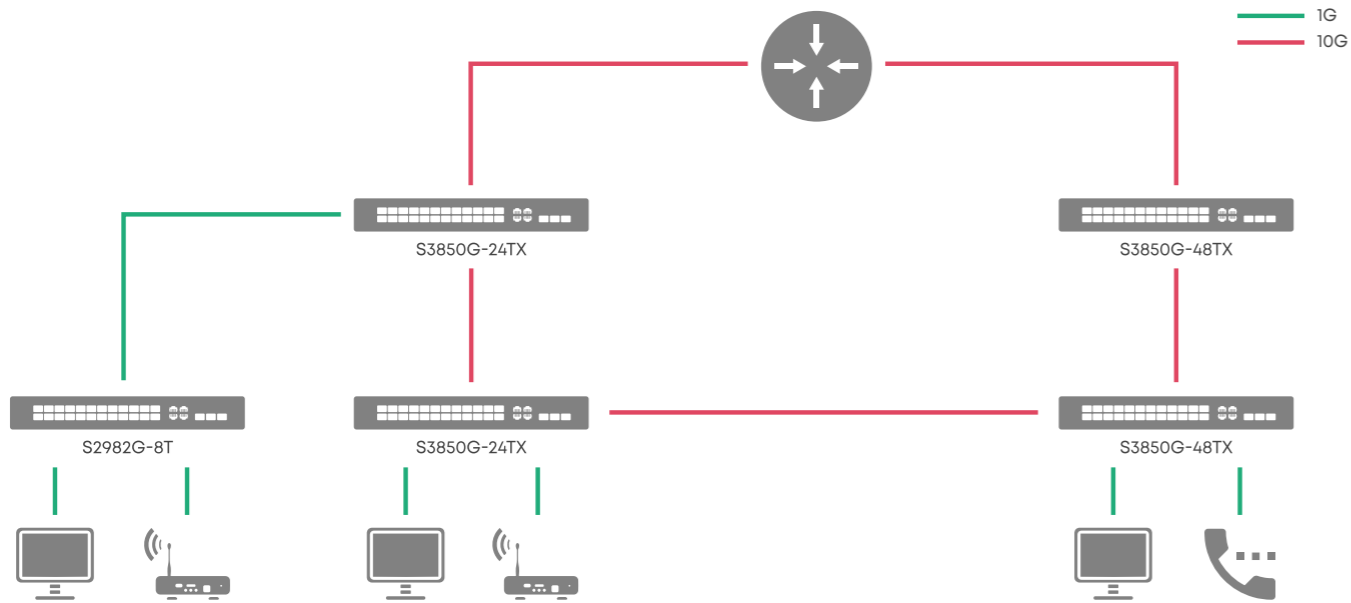


- 1GE Downlink and 1/10GE Uplink-ports
- OSPF, BGP, PIM, 1K Ipv4 route
- Non-blocking architecture
- Easy configuration through a single CLI, web interface
- Stacking via standard interfaces
- Built-in lightning protection on all ports

The S2995G series are L3 switches for connecting end users in telecom and corporate networks. The switches of this series are equipped with 24/48 x 10/100/1000Base-T ports and 4 x 1/10PU SFP+ uplink ports, so they are perfect for engineering high performance networks.

L2 redundancy protocols with fast convergence make it possible to build flexible and fault-tolerant networks based on the SNR S2995G switches. Support of Multicast and Unicast traffic, BGP, MSDP, OSPF, PIM routing protocols expands the application range of switches.

In addition, the S2995G series switches have a typical SNR CLI and SNMP MIB, which simplifies the equipment implementation and maintenance, and PoE-enabled models allow you to power IP phones, access points, IP cameras directly from the switch.



PRODUCT HIGHLIGHTS

VLAN	4094 VLAN, Voice-VLAN, Private-VLAN, MAC-VLAN, Port-based QinQ, Selective QinQ, VLAN Translation
Interfaces	SNR-S2995G-24TX (-RPS -UPS -DC): 24 x 10/100/1000Base-T SFP, 4 x 1/10GE SFP+ SNR-S2995G-24TX-POE: 20 x 10/100/1000Base-T, 4 x Combo 100/1000Base-X SFP 10/100/1000Base-T, 4 x 1/10GE SFP+ SNR-S2995G-48TX (-RPS -POE): 48 x 10/100/1000Base-T SFP, 4 x 1/10GE SFP+
Table of MAC addresses	16K
Security	1K ACL rules IP ACL, MAC ACL, MAC-IP ACL, Userdefined ACL Port-Security, IP-MAC-Port binding, DHCP Snooping, DHCP Relay, DHCP Opt.82 Broadcast/Multicast/Unicast traffic restriction, Loopback detection, 802.1x, MAB CPU traffic limitation
L3-Functionality	Static Routing, Dynamic Routing: RIP, OSPFv2/v3, BGPv4+ Multicast traffic routing: PIM-SM, PIM-DM, PIM-SSM, MSDP IPv4 routing table size: 1K
L2-Multicast	IGMPv1/v2/v3 Snooping, Multicast VLAN Registration (MVR), Multicast Source/Destination Control, Multicast Filter
QoS	8 queues per port, DWRR / SP / SP + DWRR, CoS/DSCP tagging/re-tagging, bandwidth limitation
Redundancy Protocols	STP, RSTP, MSTP, ERPS, LACP
PoE	SNR-S2995G-24TX-POE: 802.3af/at 370 W SNR-S2995G-48TX-POE: 802.3af/at 740 W
Redundant Power Supply	SNR-S2995G-24TX-RPS, SNR-S2995G-48TX-RPS: 220 V AC + 12 V DC SNR-S2995G-24TX-UPS: 220 V AC + 12 V battery connector with charging feature SNR-S2995G-48TX-POE: 220V AC + 52-57V DC
Management	CLI, WEB, SNMP

ORDERING INFORMATION

Model	Description
SNR-S2995G-24TX	Layer 3 managed switch, 24 x 10/100/1000Base-T, 4 x 1/10GE SFP+. Power supply: 220 V AC
SNR-S2995G-24TX-RPS	Layer 3 managed switch, 24 x 10/100/1000Base-T, 4 x 1/10GE SFP+. Power supply: 220 V AC + 12 V DC
SNR-S2995G-24TX-UPS	Layer 3 managed switch, 24 x 10/100/1000Base-T, 4 x 1/10GE SFP+. Power supply: 220 V AC + connector for 12 V battery with charging feature
SNR-S2995G-24TX-POE	Layer 3 Managed PoE Switch, 20 x PoE 10/100/1000Base-T, 4 x Combo 100/1000Base-X SFP 10/100/1000Base-T PoE, 4 x 1/10GE SFP+. Power supply: 220 V AC. PoE 370W
SNR-S2995G-48TX	Layer 3 managed switch, 48 x 10/100/1000Base-T, 4 x 1/10GE SFP+. Power supply: 220 V AC
SNR-S2995G-48TX-RPS	Layer 3 managed switch, 48 x 10/100/1000Base-T, 4 x 1/10GE SFP+. Power supply: 220 V AC + 12 V DC
SNR-S2995G-48TX-POE	Layer 3 managed PoE switch, 48 x PoE 10/100/1000Base-T, 4 x 1/10GE SFP+. Power supply: 220 V AC + 52-57 V DC. PoE 740W
SNR-S2995G-24TX-DC	Layer 3 managed switch, 24 x 10/100/1000Base-T, 4 x 1/10GE SFP+. Power supply: 48V DC

S3850G

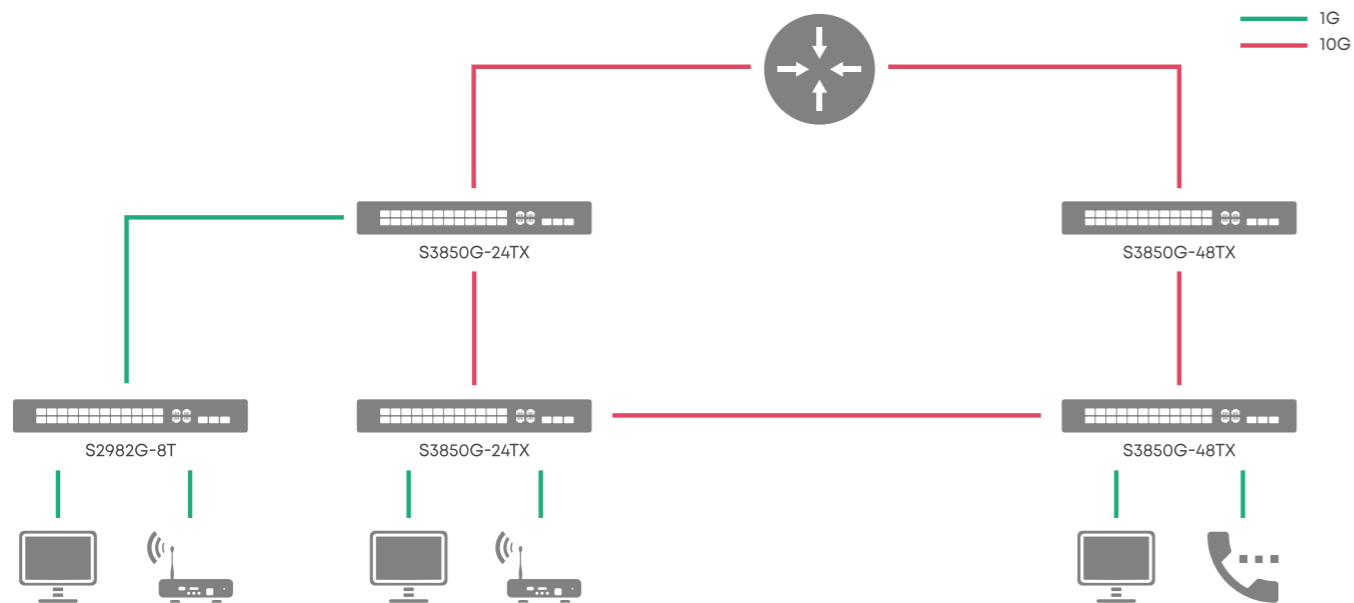


- 1G Downlink and 1/10GE Uplink-ports
- OSPF, BGP, PIM, 13K Ipv4 route
- Non-blocking architecture
- Easy configuration through a single CLI, web interface
- Stacking via standard interfaces
- Built-in lightning protection on all ports
- 2 built-in AC power supply units

SNR S3850G series of L3 switches designed to connect users in telecom and corporate networks. This series is equipped with 24/48 x 10/100/1000Base-T ports and 4 x 10G SFP+ uplink ports, so they are perfect for engineering high performance networks.

L2 redundancy protocols with fast convergence enable to build flexible and fault-tolerant networks based on the SNR S3850G switches. Support of Multicast and Unicast traffic, MBGP, MSDP, OSPF, PIM routing protocols expands the possibilities of series application.

In addition, the S3850G switches have a typical STR CLI and SNMP MIB, which simplifies the equipment implementation and maintenance, and two built-in AC power supply units allow to support power supply redundancy right out of the box.



PRODUCT HIGHLIGHTS

VLAN	4094 VLAN, Voice-VLAN, Private-VLAN, MAC-VLAN, Port-based QinQ, Selective QinQ, VLAN Translation
Interfaces	SNR-S3850G-24TX: 20 x 10/100/1000Base-T, 4 x Combo 100/1000Base-X SFP 10/100/1000Base-T, 4x 1/10GE SFP+ SNR-S3850G-48TX: 48 x 10/100/1000Base-T, 4 x 1/10GE SFP+
Table of MAC addresses	16K
Security	1K ACL rules IP ACL, MAC ACL, MAC-IP ACL, Userdefined ACL Port-Security, IP-MAC-Port binding, DHCP Snooping, DHCP Relay, DHCP Opt.82 Broadcast/Multicast/Unicast traffic restriction, Loopback detection, 802.1x, MAB CPU traffic limitation
L3-Functionality	Static Routing, Dynamic Routing: RIP, OSPFv2/v3, BGPv4+ Multicast traffic routing: PIM-SM, PIM-DM, PIM-SSM, MSDP IPv4 routing table size: 13K
L2-Multicast	IGMPv1/v2/v3 Snooping, Multicast VLAN Registration (MVR), Multicast Source/Destination Control, Multicast Filter
QoS	8 queues per port, DWRR / SP / SP + DWRR, CoS/DSCP tagging/re-tagging, bandwidth limitation
Redundancy Protocols	STP, RSTP, MSTP, ERPS, LACP
Redundant Power Supply	SNR-S3850G-24TX: 2 x 220 V AC SNR-S3850G-48TX: 2 x 220 V AC
Management	CLI, WEB, SNMP

ORDERING INFORMATION

Model	Description
SNR-S3850G-24TX	Layer 3 Managed Switch, 20 x 10/100/1000Base-T, 4 x Combo 100/1000Base-X SFP 10/100/1000Base-T, 4 x 1/10GE SFP+. Power supply: 2 x 220 V AC
SNR-S3850G-48TX	Layer 3 managed switch, 48 x 10/100/1000Base-T, 4 x 1/10GE SFP+. Power supply: 2 x 220 V AC



SNR-S2962-24T

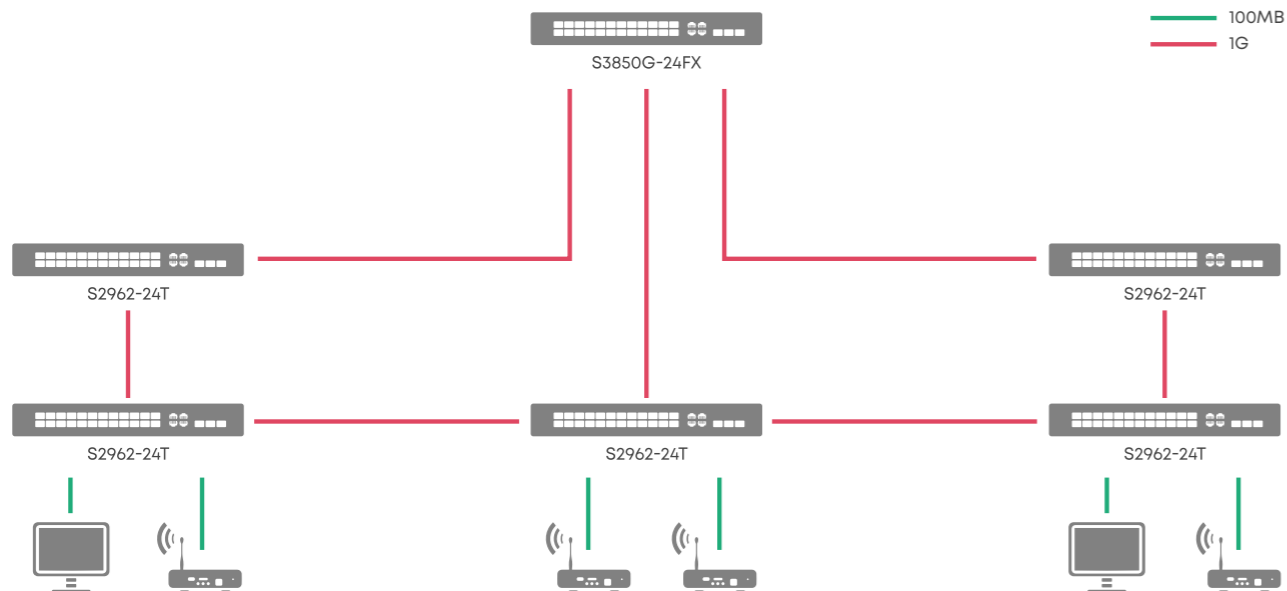
- Cost-effective Carrier-Class Solution
- Fast Ethernet Switch with line-rate performance
- Increased number of Gigabit Ethernet ports
- Redundancy protocols with fast convergence
- Easy configuration via Cisco-like CLI, web interface
- Built-in lightning protection on all ports



SNR-S2962-24T switch is equipped with FE + GE Downlink ports and GE SFP Uplink ports. SNR-S2962-24T supports all the necessary functionality to be used at the access layer in modern telecom and corporate networks.

Additional gigabit ports can be used to connect demanding customers at speeds up to 1 Gbps, allowing to increase ARPU without the need to replace hardware.

All S2962/S2965/S2982G/S2985G switch series has a single software base, which, together with the identical SNR CLI and a common MIB file, simplifies hardware implementation and maintenance.

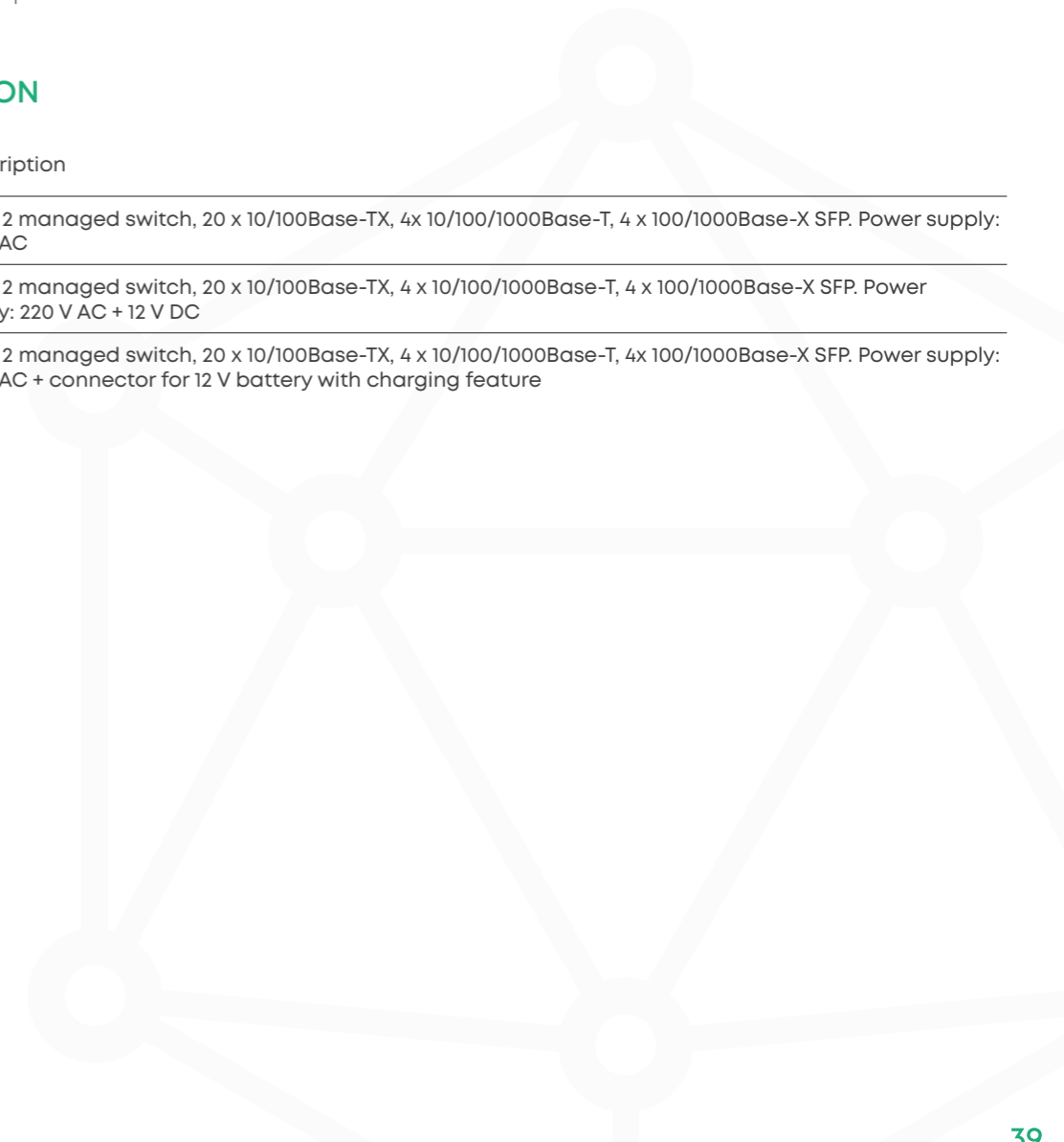


PRODUCT HIGHLIGHTS

VLAN	4094 VLAN, Voice-VLAN, Private-VLAN, MAC-VLAN, Port-based QinQ, Selective QinQ, VLAN Translation
Interfaces	20 x 10/100Base-TX, 4 x 10/100/1000Base-T, 4 x 100/1000Base-X SFP
Table of MAC addresses	8K
Security	1408 ACL rules IP ACL, MAC ACL, MAC-IP ACL, Userdefined ACL Port-Security, IP-MAC-Port binding, DHCP Snooping, DHCP Relay, DHCP Opt.82 Broadcast/Multicast/Unicast traffic restriction, Loopback detection, 802.1x, MAB CPU traffic limitation
L2-Multicast	IGMPv1/v2/v3 Snooping, Multicast VLAN Registration (MVR), Multicast Source/Destination Control, Multicast Filter
QoS	8 queues per port, SP / WRR / DWRR / SP + WRR / SP + DWRR, tagging/re-tagging CoS/DSCP, bandwidth limitation
Redundancy Protocols	STP, RSTP, MSTP, ERPS, LACP
Management	CLI, WEB, SNMP
Redundant Power Supply	SNR-S2962-24T-RPS: 220 V AC + 12 V DC SNR-S2962-24T-UPS: 220 V AC + 12 V battery connector with charging feature

ORDERING INFORMATION

Model	Description
SNR-S2962-24T	Layer 2 managed switch, 20 x 10/100Base-TX, 4x 10/100/1000Base-T, 4 x 100/1000Base-X SFP. Power supply: 220 V AC
SNR-S2962-24T-RPS	Layer 2 managed switch, 20 x 10/100Base-TX, 4 x 10/100/1000Base-T, 4 x 100/1000Base-X SFP. Power supply: 220 V AC + 12 V DC
SNR-S2962-24T-UPS	Layer 2 managed switch, 20 x 10/100Base-TX, 4 x 10/100/1000Base-T, 4x 100/1000Base-X SFP. Power supply: 220 V AC + connector for 12 V battery with charging feature



SNR-S2965-8T



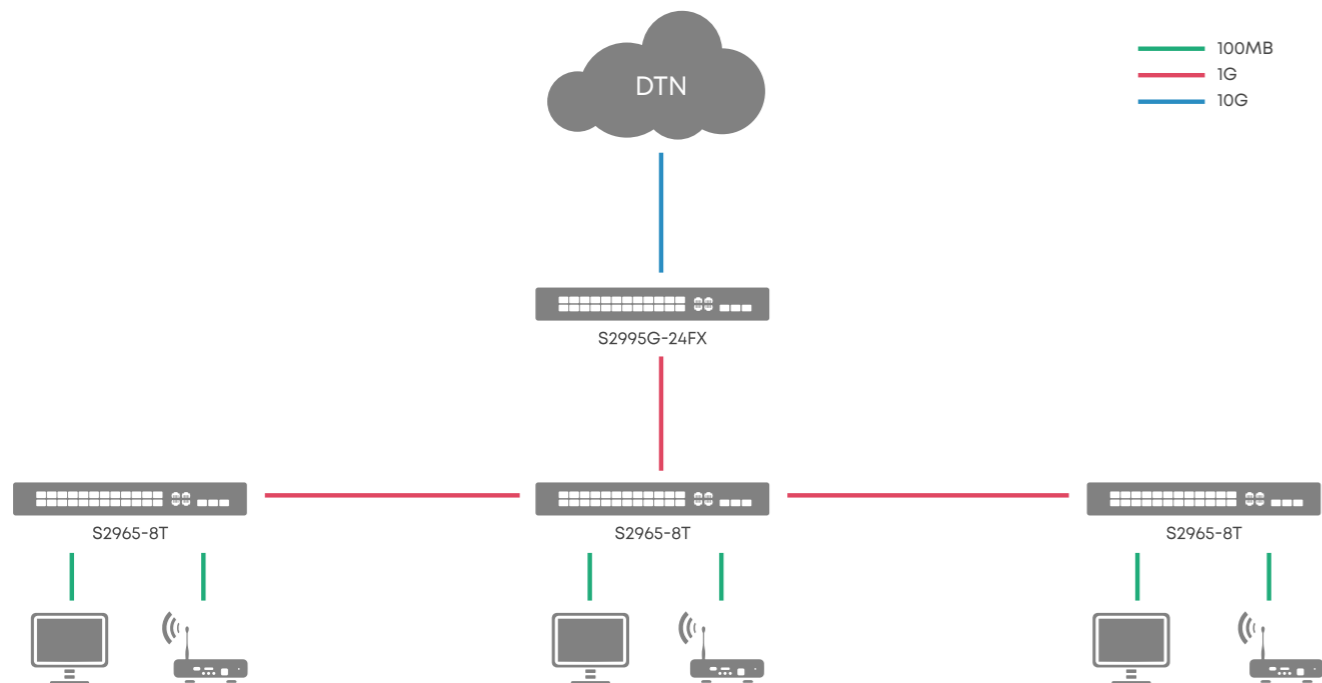
- Increased number of Gigabit ports
- Comprehensive security functionality
- Non-blocking architecture
- Redundant Power Supply
- Easy configuration via Cisco-like CLI, web interface
- Built-in lightning protection on all ports

The only switch in the series is SNR-S2965-8T. This switch is equipped with Fast Ethernet + Gigabit Ethernet Downlink ports and Gigabit Ethernet SFP Uplink ports, and supports all the necessary functionality for access layer applications in present-day enterprise and carrier networks.

All S2962/S2965/S2982G/S2985G switch series has a single software base, which, together with the identical SNR CLI and a common MIB file, simplifies hardware implementation and maintenance.

Additional gigabit ports can be used to connect demanding customers at speeds up to 1 Gbps, allowing to increase ARPU without the need to replace hardware.

The model with RPS port, SNR-S2965-8T, allows to connect a 12V redundant power supply unit. SNR-S2965-8T-UPS model is equipped with a 12V battery connector with a capacity of 5-20Ah and has a built-in battery charge / discharge controller.

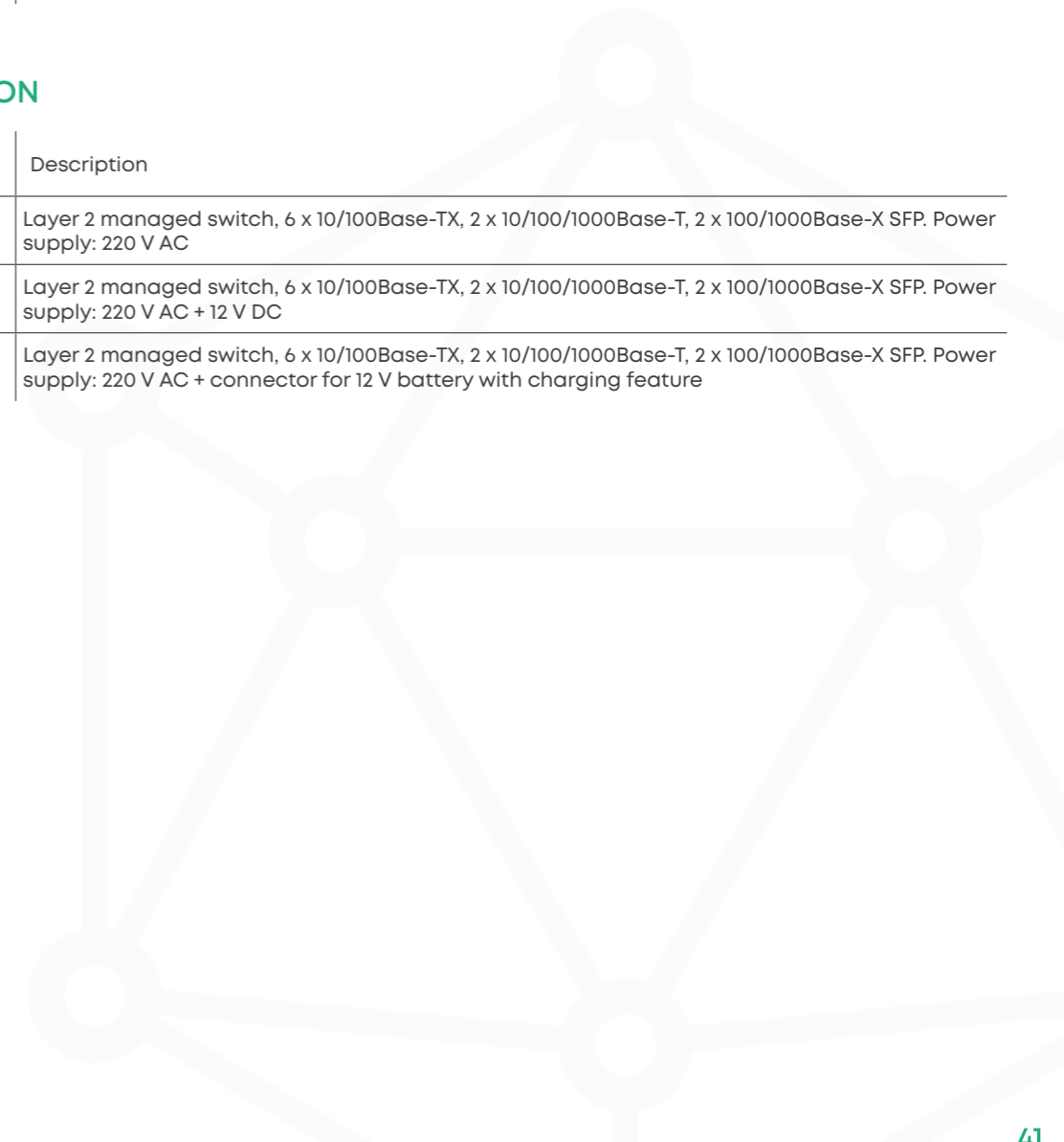


PRODUCT HIGHLIGHTS

VLAN	4094 VLAN, Voice-VLAN, Private-VLAN, MAC-VLAN, Port-based QinQ, Selective QinQ, VLAN Translation
Interfaces	6 x 10/100Base-T, 2 x 10/100/1000Base-T, 2 x 100/1000Base-X SFP
Table of MAC addresses	8K
Security	1408 ACL rules IP ACL, MAC ACL, MAC-IP ACL, Userdefined ACL Port-Security, IP-MAC-Port binding, DHCP Snooping, DHCP Relay, DHCP Opt.82 Broadcast/Multicast/Unicast traffic restriction, Loopback detection, 802.1x, MAB CPU traffic limitation
L2-Multicast	IGMPv1/v2/v3 Snooping, Multicast VLAN Registration (MVR), Multicast Source/Destination Control, Multicast Filter
QoS	8 queues per port, SP / WRR / DWRR / SP + WRR / SP + DWRR, tagging/re-tagging CoS/DSCP, bandwidth limitation
Redundancy Protocols	STP, RSTP, MSTP, ERPS, LACP
Management	CLI, WEB, SNMP
Redundant Power Supply	SNR-S2962-24T-RPS: 220 V AC + 12 V DC SNR-S2962-24T-UPS: 220 V AC + 12 V battery connector with charging feature

ORDERING INFORMATION

Model	Description
SNR-S2965-8T	Layer 2 managed switch, 6 x 10/100Base-TX, 2 x 10/100/1000Base-T, 2 x 100/1000Base-X SFP. Power supply: 220 V AC
SNR-S2965-8T-RPS	Layer 2 managed switch, 6 x 10/100Base-TX, 2 x 10/100/1000Base-T, 2 x 100/1000Base-X SFP. Power supply: 220 V AC + 12 V DC
SNR-S2965-8T-UPS	Layer 2 managed switch, 6 x 10/100Base-TX, 2 x 10/100/1000Base-T, 2 x 100/1000Base-X SFP. Power supply: 220 V AC + connector for 12 V battery with charging feature



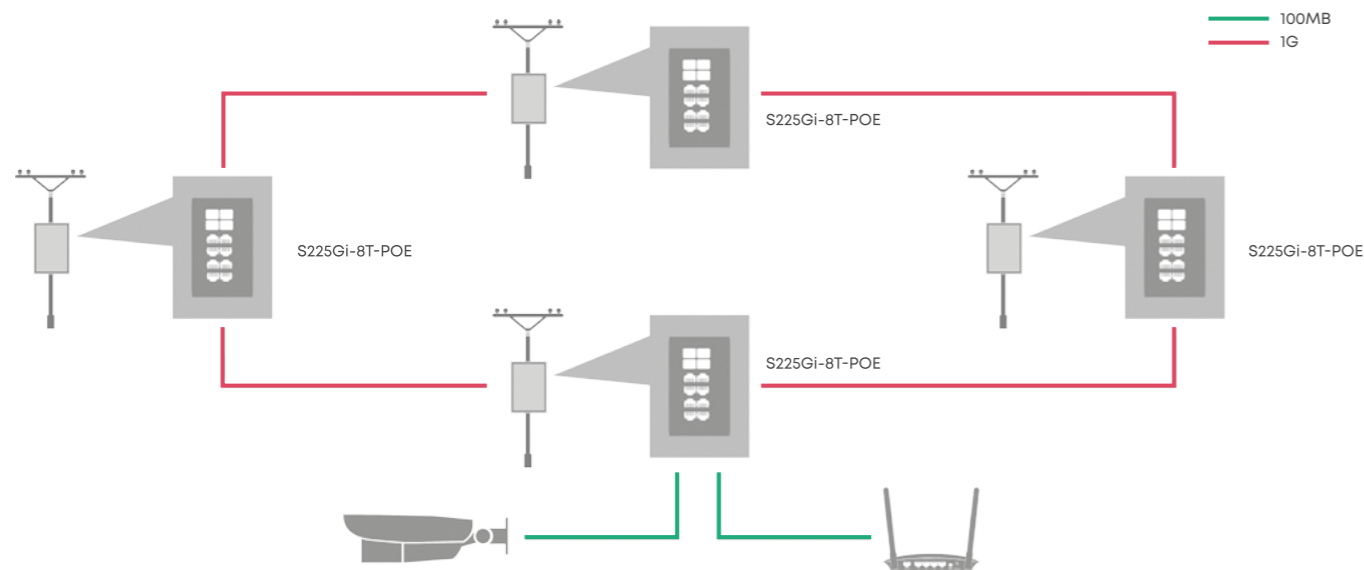
SNR-S225GI-8T-POE



- 8 x GE PoE 802.3af/at
- 2 x GE SFP
- Protection class IP40
- Temperature range -40°C ~ +85°C
- Total power PoE 180W

The SNR-S225Gi-8T-POE industrial PoE switch is an excellent outdoor solution for smart networks. The switch features an industrial design, has a DIN rail mount, as well as effective passive cooling. The modern hardware components guarantees its uninterrupted operation in a wide temperature range from -40 to +85 °C.

SNR-S225Gi-8T-POE has all the necessary functionality to operate in telecom and enterprise networks, supports comprehensive security, monitoring and control functionality, supports RSTP, ERPS, LACP protocols, which allow to build fault-tolerant topologies with low convergence time.

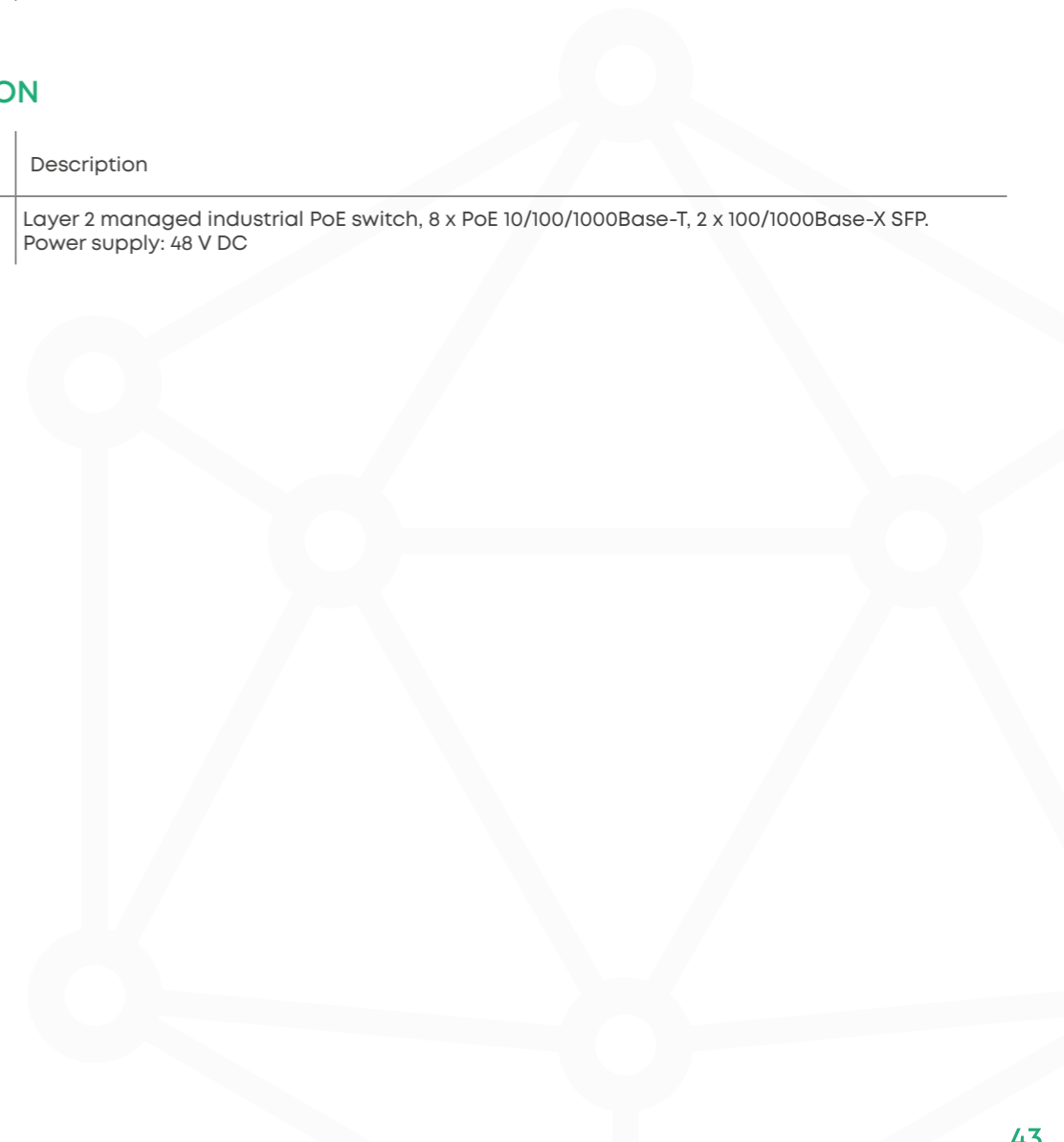


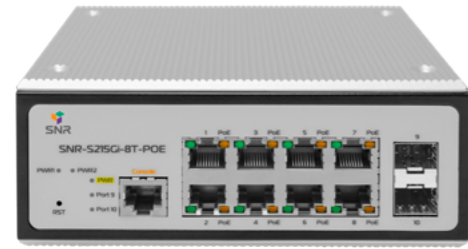
PRODUCT HIGHLIGHTS

VLAN	4094 VLAN, Voice-VLAN, Private-VLAN, MAC-VLAN, Port-based QinQ, Selective QinQ, VLAN Translation
Interfaces	8 x PoE 10/100/1000Base-T, 2 x 100/1000Base-X SFP
Table of MAC addresses	8K
Security	1408 ACL rules IP ACL, MAC ACL, MAC-IP ACL, Userdefined ACL Port-Security, IP-MAC-Port binding, DHCP Snooping, DHCP Relay, DHCP Opt.82 Broadcast/Multicast/Unicast traffic restriction, Loopback detection, 802.1x, MAB CPU traffic limitation
L2-Multicast	IGMPv1/V2/V3 Snooping, Multicast VLAN Registration (MVR), Multicast Source/Destination Control, Multicast Filter
QoS	8 queues per port, SP, WRR, SP + WRR, DWRR. tagging/re-tagging CoS, DSCP. Bandwidth limitation
Redundancy Protocols	STP, RSTP, MSTP, ERPS, LACP
PoE	802.3af/at 180 W
Management	CLI, WEB, SNMP

ORDERING INFORMATION

Model	Description
SNR-S225GI-8T-POE	Layer 2 managed industrial PoE switch, 8 x PoE 10/100/1000Base-T, 2 x 100/1000Base-X SFP. Power supply: 48 V DC





SNR-S215GI-8T-POE

- 8 x GE PoE 802.3af/at
- 2 x GE SFP
- Protection class IP40
- Temperature range -40°C ~ +85°C
- Total power PoE 180W

The SNR-S215Gi-8T-POE industrial PoE switch is designed for use in tough environment. The model has all the necessary set of functions available for configuration through a simple and convenient web interface.

The equipment has protection class IP40 and an extended temperature range (from -40 to +85 °C).

PRODUCT HIGHLIGHTS

VLAN	4094 VLAN
Interfaces	8 x 10/100Base-TX PoE 802.3af/at, 4 x 100/1000Base-X SFP
Table of MAC addresses	8K
L2-Multicast	IGMPv1/V2/V3 Snooping, Multicast VLAN Registration (MVR)
QoS	8 queues per port, SP, WRR, SP + WRR. Bandwidth limitation
Redundancy Protocols	STP, RSTP, MSTP, LACP
PoE	802.3af/at, up to 30 W per port, up to 180 W per switch
Management	WEB, SNMP

ORDERING INFORMATION

Model	Description
SNR-S215Gi-8T-POE	WEB Smart layer 2 managed industrial PoE switch, 8 x PoE 10/100/1000Base-T, 2 x 100/1000Base-X SFP. Power supply: 48 V DC



S2200G-8T-POE

- 8 x PoE 802.3af/at
- 2 x GE SFP
- Temperature range -40°C ~ +75°C
- Total power PoE 100W

SNR-S2200G-8T-POE is a WEB Smart PoE switch equipped with 2 x SFP 100/1000Base-X ports and 8 x 10/100/1000Base-T ports. Support of PoE 802.3at/af on all 8 ports allows to power IP/video phones, Wi-Fi points, thin clients directly from the switch, and the web interface ensures the simplicity and convenience of the switch configuration.

PRODUCT HIGHLIGHTS

VLAN	4094 VLAN
Interfaces	8 x 10/100Base-TX PoE 802.3af/at, 4 x 100/1000Base-X SFP
Table of MAC addresses	8K
L2-Multicast	IGMPv1/V2/V3 Snooping, Multicast VLAN Registration (MVR)
QoS	8 queues per port, SP, WRR, SP + WRR. Bandwidth limitation.
Redundancy Protocols	STP, RSTP, MSTP, LACP
PoE	802.3af/at, up to 30 W per port, up to 100 W per switch
Management	WEB, SNMP

ORDERING INFORMATION

Model	Description
SNR-S2200G-8T-POE	Layer 2 managed WEB Smart PoE switch, 8 x PoE 10/100Base-TX, 2 x 100/1000Base-X SFP. Power supply: 220 V AC



S1900 SERIES

- 4-16 x FE/GE electrical interfaces
- 1/2 GE SFP interfaces
- Non-blocking architecture
- Electrical port isolation functionality



S1000 SERIES S1100G SERIES

- 5-8 FE/GE electrical
- Non-blocking architecture
- Compact form factor
- Auto MDI/MDI-X

The SNR-S1900 is a series of unmanaged Ethernet switches designed for engineering and expanding small-scale networks. SFP interfaces allow to connect remote sites, and ideal for cost-effective communication service solutions.

The SNR-S1900 switches support the electrical port isolation feature, which allows to limit the propagation of traffic in the broadcast domain and significantly reduce the likelihood of broadcast storms.

The SNR-S1904GP-2S and SNR-S1908GP-2S switches support PoE 802.3af and PoE+ 802.3at standards. PoE reduces cost of ownership and simplifies network maintenance allowing Wi-Fi points, IP/video phones and thin clients to be powered directly from the switch.

ORDERING INFORMATION

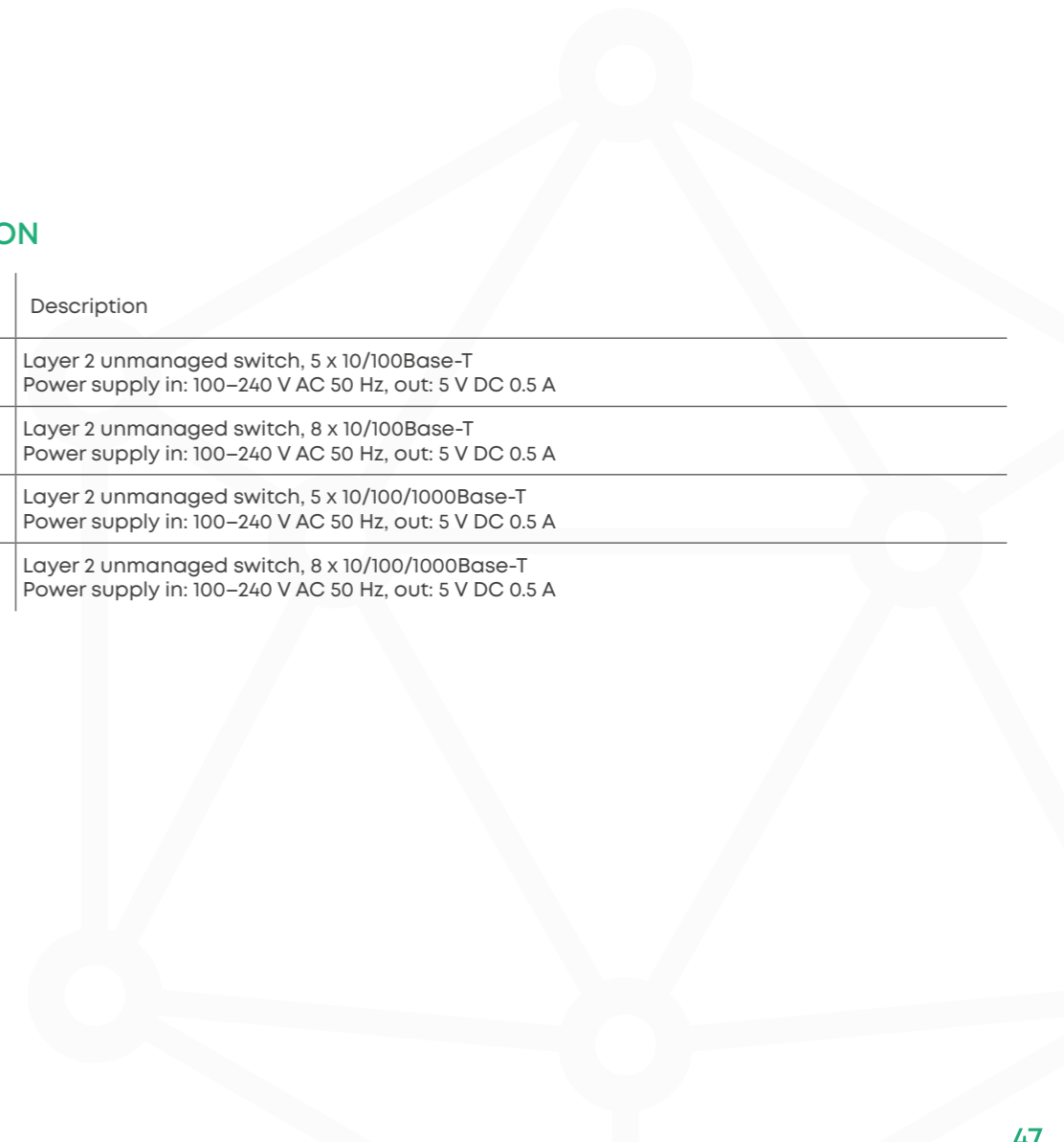
Model	Description
SNR-S1904G-1S	Layer 2 unmanaged switch, 4 x 10/100/1000Base-T, 1 x 1000Base-X SFP Power supply in: 100–260 V AC 50 Hz, out: 5 V DC 2 A
SNR-S1904G-2S	Layer 2 unmanaged switch, 4 x 10/100/1000Base-T, 2 x 1000Base-X SFP Power supply in: 100–260 V AC 50 Hz, out: 5 V DC 2 A
SNR-S1908-1GS	Layer 2 unmanaged switch, 8 x 10/100Base-T, 1 x 100/1000Base-X SFP Power supply in: 100–260 V AC 50 Hz, out: 5 V DC 2 A
SNR-S1908G-2S	Layer 2 unmanaged switch, 8 x 10/100/1000Base-T, 2 x 1000Base-X SFP Power supply in: 100–260 V AC 50 Hz, out: 5 V DC 2 A
SNR-S1916-1GS	Layer 2 unmanaged switch, 16 x 10/100Base-T, 1 x 1000Base-X SFP Power supply in: 100–260 V AC 50 Hz, out: 5 V DC 2 A
SNR-S1904GP-2S	Layer 2 unmanaged PoE switch, 4 x PoE 10/100/1000Base-T, 2 x 1000Base-X SFP Power supply in: 100–240 V AC 50 Hz, out: 52 V DC 2.3 A
SNR-S1908GP-2S	Layer 2 unmanaged PoE switch, 8 x PoE 10/100/1000Base-T, 2 x 1000Base-X SFP Power supply in: 100–240 V AC 50 Hz, out: 52 V DC 2.3 A

The SNR-S1000 and SNR-S1100G series are unmanaged Ethernet switches designed for deploying and expanding home networks and small office networks. Each electrical port supports automatic bit rate and duplex detection and automatic detection of MDI/MDI-X mode.

The switches have an ultra-compact form factor, which expands the installation possibilities, and also have low power consumption.

ORDERING INFORMATION

Model	Description
SNR-S1000-5T	Layer 2 unmanaged switch, 5 x 10/100Base-T Power supply in: 100–240 V AC 50 Hz, out: 5 V DC 0.5 A
SNR-S1000-8T	Layer 2 unmanaged switch, 8 x 10/100Base-T Power supply in: 100–240 V AC 50 Hz, out: 5 V DC 0.5 A
SNR-S1100G-5T	Layer 2 unmanaged switch, 5 x 10/100/1000Base-T Power supply in: 100–240 V AC 50 Hz, out: 5 V DC 0.5 A
SNR-S1100G-8T	Layer 2 unmanaged switch, 8 x 10/100/1000Base-T Power supply in: 100–240 V AC 50 Hz, out: 5 V DC 0.5 A



REDUNDANT POWER SUPPLY OPTIONS WITH SNR SWITCHES



Implementation example:
SNR-S2962-24T + SNR-UPS-60/12-SMART + SNR-BAT-12-12-GP

Depending on the power supply arrangement at the communication node, SNR switches can be modified as follows:

- 220VAC + 12VDC
- 220VAC + 48VDC
- 220VAC + Connector for battery 12V with the charging function (UPS)
- 2 x 220VAC
- 48VDC

*check with your manager for the possibility to modify a particular model



Reliability and fault tolerance

More than 10 years of operation of SNR switches in telecom and corporate networks have confirmed the high reliability of our equipment. Various Redundant Power Supply options such as 12 V / 48 V DC or direct battery connection enable a long autonomous run time at a low cost. Support of L2 redundancy protocols - RSTP, MSTP, ERPS - ensures fast convergence in networks with a ring topology.



Ease of use

A cisco-like CLI significantly reduces the time for engineers to adapt to new equipment, SNMP flexible automation and monitoring capabilities optimize network operating costs.



Quality of Service (QoS) Management

SNR switches have all the necessary functions to manage the quality of service (QoS) policy on the network. Traffic tagging and prioritization mechanisms improve the quality of experience (QoE) of traffic that is critical to delays (video, voice, online games).



Security

Ensuring the proper level of security is a key task for the equipment of modern corporate and operator networks. SNR switches support multiple security functions such as L2-L4 Access Control List, ARP-guard, IP-MAC-PORT binding, support of 802.1X and MAB, which allow to prevent attacks even at the access level.



Versatility

SNR switches are successfully used on the networks of telecom operators with various service models: IPoE (QinQ, VLAN-per-user, shared-VLAN) and PPPoE, due to the support of DHCP Opt. 82, DHCP Relay, PPPoE Intermediate Agent, IPMAC-Port-binding functions.



Multicast

Multicast management is a critical task for multiservice carriers. Support of IGMP Snooping, IGMP Filter, IGMP Radius Authentication, Multicast VLAN Registration, Source/Destination Control in our switches allow telecom operators to provide high-quality IPTV services.



Extended Warranty and NBD

Extended warranty and Next Business Day support options for all our portfolio help you to optimize the cost of spare parts and minimize equipment replacement time.



Support and maintenance service

Our technical support portal unites a large community of SNR switch users, In addition - SNR professional service and R&D center allows to quickly resolve issues related to the configuration and operation of SNR equipment.

NAG is a leading telecom and IT solution provider representing a 20-year history of expertise. NAG has been working with a large number of customers in the CIS and around the world since 2004 providing the following solutions:

- full range of equipment for telecom operators;
- L2 and L3 Networking solutions;
- SOHO WiFi Routers and IPTV STB equipment;
- intelligent video surveillance systems with built-in analytics;
- Servers and Storages;
- Infrastructure and Power supply solutions.

With over 650 dedicated employees, including a strong engineering team of 150+ employees, NAG operate offices in Dubai (UAE), Almaty (Kazakhstan) and Tashkent (Uzbekistan). Our logistics centers in Washington (USA) and Shanghai (China) allow working directly with foreign partners and ship out goods with the highest quality and optimized timelines.



UAE, DUBAI

Office M-03, Al Garhoud Business center Building
+971 0 42599967
sales@snr.global



KAZAKHSTAN, ALMATY

151, Abay Ave., BC Alatau
+7 727 344 34 44
sales@nag.kz



UZBEKISTAN, TASHKENT

Mirzo-Ulugbek district, st. Sairam 7-tor, d.52
+998 55 508 0660
sales@nag.uz

