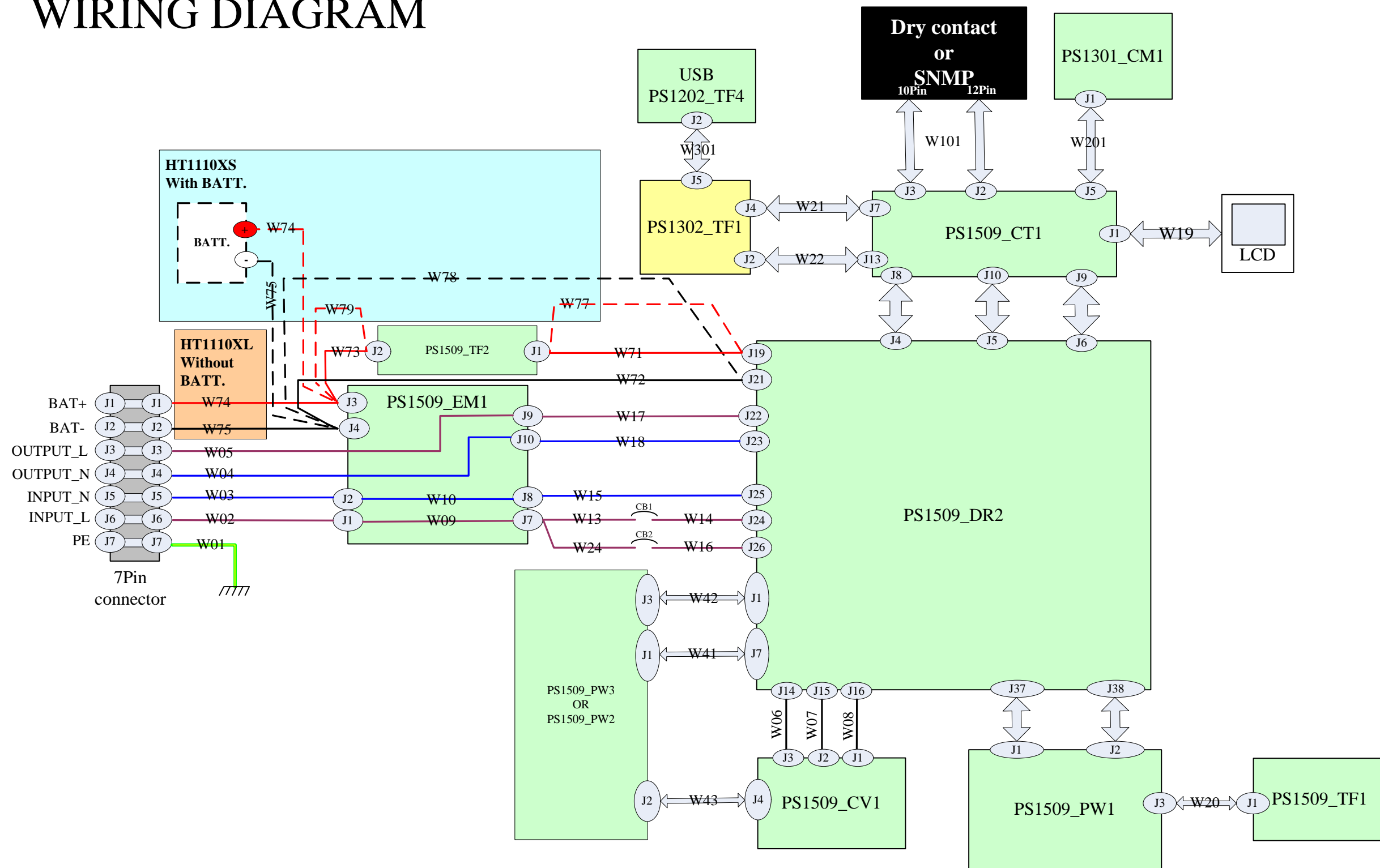
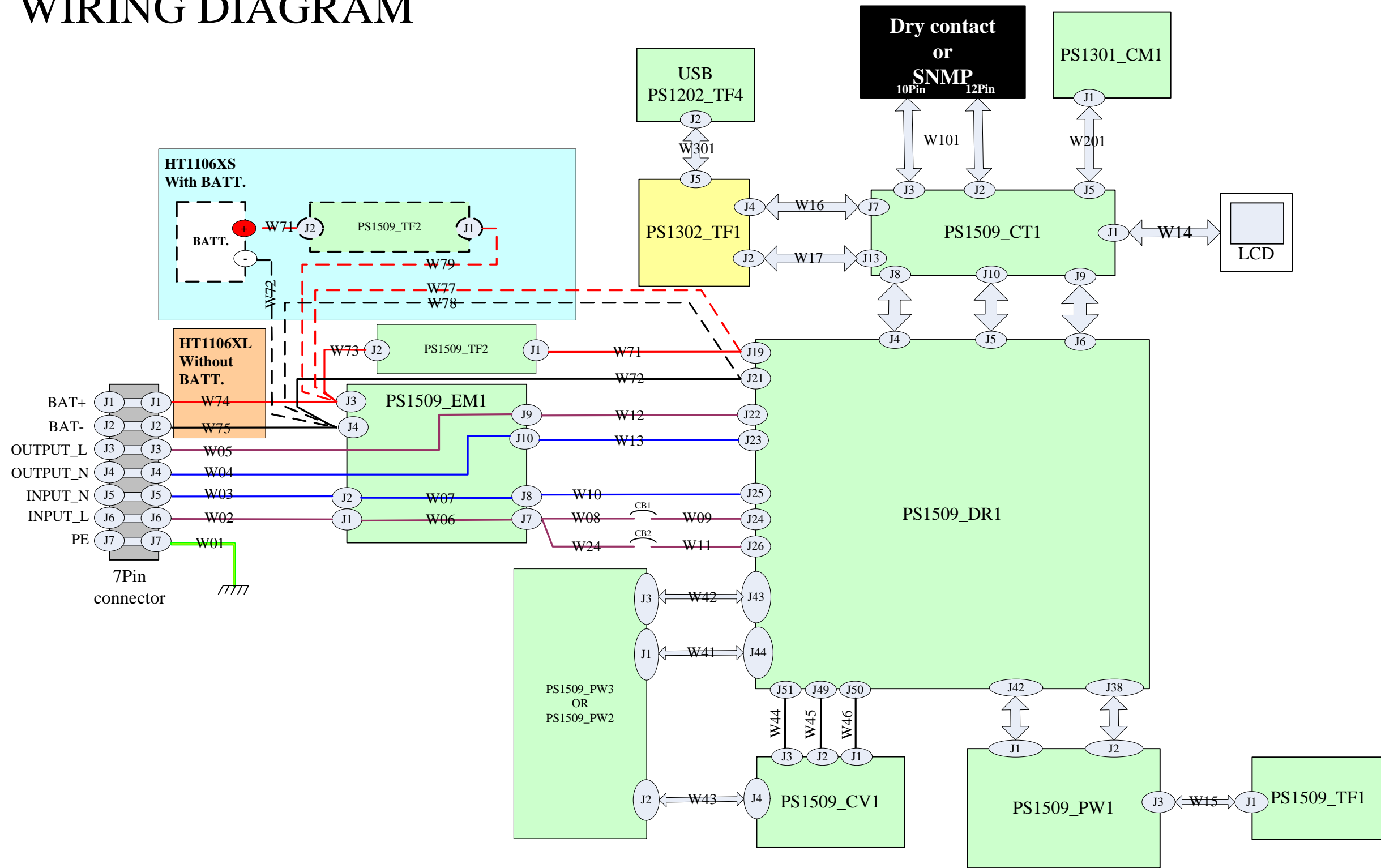


HT110XL & HT110XS WIRING DIAGRAM



Designer: Wen Yang	Title: HTX11 Wiring Diagram	NO.: 1/1
Nominalizer: Jack Zhang	Dept.: R&D	Version: V1.0
Approver: Shawn Xia	INVT Power CO.,LTD.	Date: 2017-03-9

HT1106XL & HT1106XS WIRING DIAGRAM



Designer: Wen Yang	Title: HTX11 Wiring Diagram	NO.: 1/1
Nominalizer: Jack Zhang	Dept.: R&D	Version: V1.0
Approver: Shawn Xia	INVT Power CO.,LTD.	Date: 2017-03-9