

EMC TEST REPORT
For

INVT POWER SYSTEM (SHENZHEN) CO., LTD.

Uninterruptible Power Systems

Model No.: RM010/10B, RM015/15B, RM020/10B, RM030/10B, RM040/20B,
RM045/15B, RM060/20B

Prepared for : INVT POWER SYSTEM (SHENZHEN) CO., LTD.
Address : 5th Floor, 1# Building, Gaofa Industrial Park, LongJing, Nanshan
District, Shenzhen, China, 518055

Prepared by : EMTEK(SHENZHEN) CO., LTD.
Address : Bldg 69, Majialong Industry Zone,
Nanshan District, Shenzhen, Guangdong, China

Tel: (0755) 26954280

Fax: (0755) 26954282

Report Number : ES160523069E
Date of Test : January 23, 2011 to February 28, 2011
Date of Report : May 24, 2016

TABLE OF CONTENT

Test Report Description	Page
1. SUMMARY OF TEST RESULT.....	7
2. GENERAL INFORMATION.....	8
2.1. Description of Device (EUT).....	8
2.2. Description of Test Facility.....	10
2.3. Measurement Uncertainty.....	10
3. MEASURING DEVICE AND TEST EQUIPMENT.....	11
3.1. For Power Line Conducted Emission.....	11
3.2. For 10m Radiated Emission Measurement.....	11
3.3. For Harmonic Current / Flicker Measurement.....	11
3.4. For Electrostatic Discharge Immunity Test.....	11
3.5. For RF Strength Susceptibility Test.....	12
3.6. For Electrical Fast Transient /Burst Immunity Test.....	12
3.7. For Surge Immunity Test.....	12
3.8. For Injected Current Susceptibility Test.....	13
3.9. For Magnetic Field Immunity Test.....	13
3.10. Low Frequency Signals Test.....	13
3.11. For Voltage Dips and Interruptions Test.....	13
4. POWER LINE CONDUCTED EMISSION MEASUREMENT.....	14
4.1. Block Diagram of Test Setup.....	14
4.2. Measuring Standard.....	14
4.3. EUT Configuration on Measurement.....	14
4.4. Operating Condition of EUT.....	14
4.5. Test Procedure.....	15
4.6. Measuring Results.....	15
5. RADIATED EMISSION MEASUREMENT.....	16
5.1. Block Diagram of Test.....	16
5.2. Measuring Standard.....	16
5.3. Radiated Emission Limits.....	16
5.4. EUT Configuration on Test.....	17
5.5. Operating Condition of EUT.....	17
5.6. Test Procedure.....	17
5.7. Measuring Results.....	17
6. HARMONIC CURRENT EMISSION MEASUREMENT.....	18
6.1. Block Diagram of Test Setup.....	18
6.2. Measuring Standard.....	18
6.3. Operation Condition of EUT.....	18
6.4. Measuring Results.....	18
7. VOLTAGE FLUCTUATION AND FLICKER MEASUREMENT.....	19
7.1. Block Diagram of Test Setup.....	19
7.2. Measuring Standard.....	19
7.3. Operation Condition of EUT.....	19
7.4. Measuring Results.....	19

8. ELECTROSTATIC DISCHARGE IMMUNITY TEST.....	21
8.1. Block Diagram of Test Setup.....	21
8.2. Test Standard.....	21
8.3. Severity Levels and Performance Criterion.....	21
8.4. EUT Configuration.....	21
8.5. Operating Condition of EUT.....	22
8.6. Test Procedure.....	22
8.7. Test Results.....	22
9. RF FIELD STRENGTH SUSCEPTIBILITY TEST.....	24
9.1. Block Diagram of Test.....	24
9.2. Test Standard.....	24
1. Control Room.....	24
9.3. Severity Levels and Performance Criterion.....	25
9.4. EUT Configuration on Test.....	25
9.5. Operating Condition of EUT.....	25
9.6. Test Procedure.....	25
9.7. Test Results.....	25
10. ELECTRICAL FAST TRANSIENT/BURST IMMUNITY TEST.....	27
10.1. Block Diagram of Test Setup.....	27
10.2. Test Standard.....	27
10.3. Severity Levels and Performance Criterion.....	27
10.4. EUT Configuration.....	27
10.5. Operating Condition of EUT.....	28
10.6. Test Procedure.....	28
10.7. Test Result.....	28
11. SURGE IMMUNITY TEST.....	30
11.1. Block Diagram of Test Setup.....	30
11.2. Test Standard.....	30
11.3. Severity Levels and Performance Criterion.....	30
11.4. EUT Configuration.....	30
11.5. Operating Condition of EUT.....	31
11.6. Test Procedure.....	31
11.7. Test Result.....	31
12. INJECTED CURRENTS SUSCEPTIBILITY TEST.....	33
12.1. Block Diagram of Test Setup.....	33
12.2. Test Standard.....	33
12.3. Severity Levels and Performance Criterion.....	33
12.4. EUT Configuration.....	33
12.5. Operating Condition of EUT.....	34
12.6. Test Procedure.....	34
12.7. Test Results.....	34
13. MAGNETIC FIELD SUSCEPTIBILITY TEST.....	36
13.1. Block Diagram of Test.....	36
13.2. Test Standard.....	36
13.3. Severity Levels and Performance Criterion.....	36
13.4. EUT Configuration on Test.....	36
13.5. Test Procedure.....	37
13.6. Test Results.....	37

14. VOLTAGE DIPS AND INTERRUPTIONS TEST.....	39
14.1. Block Diagram of Test Setup.....	39
14.2. Test Standard.....	39
14.3. Severity Levels and Performance Criterion.....	39
14.4. EUT Configuration.....	39
14.5. Operating Condition of EUT.....	40
14.6. Test Procedure.....	40
14.7. Test Result.....	40
15. LOW FREQUENCY signals TEST.....	42
15.1. Block Diagram of Test Setup.....	42
15.2. Test Standard.....	42
15.3. Operating Condition of EUT.....	42
15.4. Test Results.....	42
16. PHOTOGRAPH.....	44
16.1. Photo of Conducted Emission Measurement.....	44
16.2. Photo of Radiation Emission Measurement.....	44
16.3. Photo of Surge Test.....	45

APPENDIX I (8 Pages)

APPENDIX II (4 Pages)

APPENDIX III (Photos of EUT) (2 Pages)

TEST REPORT DESCRIPTION

Applicant : INVT POWER SYSTEM (SHENZHEN) CO., LTD.
Manufacturer : INVT POWER SYSTEM (SHENZHEN) CO., LTD.
Trademark : INVT
EUT : Uninterruptible Power Systems
(A) Model No. : RM010/10B, RM015/15B, RM020/10B,
RM030/10B, RM040/20B, RM045/15B, RM060/20B
(B) Power Supply:
AC Input: 380/400/415VAC
Batt. Input: ±240VDC

Measurement Procedure Used:

EN62040-2: 2006
(EN61000-4-2: 2009, EN61000-4-3: 2006+A2:2010, EN61000-4-4: 2012, EN61000-4-5:
2014, EN61000-4-6: 2014, EN61000-4-8: 2010, EN61000-4-11: 2004, EN61000-2-2: 2002,
EN61000-3-11: 2000, EN61000-3-12: 2011)

The device described above is tested by EMTEK(SHENZHEN) CO., LTD. to determine the maximum emission levels emanating from the device and the severe levels of the device can endure and its performance criterion. The measurement results are contained in this test report and EMTEK(SHENZHEN) CO., LTD. is assumed full of responsibility for the accuracy and completeness of these measurements. Also, this report shows that the EUT (Equipment Under Test) is technically compliant with the EN 62040-2 requirements.

This report applies to above tested sample only and shall not be reproduced in part without written approval of EMTEK(SHENZHEN) CO., LTD.

Date of Test : January 23, 2011 to February 28, 2011

Prepared by : Bunny Zhang
Bunny Zhang/Editor

Reviewer : Jessie Hu
Jessie Hu/Supervisor

Approved & Authorized Signer : Lisa Wang
Lisa Wang/Manager

Modified History

Rev.	Report No.	Date of Rev.	Summary
V1.0	ES110121154E	March 03, 2011	Original Report
V1.16	ES110121154E-16	January 04, 2014	Change Model Number
V1.0	ES151023030E	October 27, 2015	<ol style="list-style-type: none">1. Change Model Number2. Modify the rated power3. Delete the single-phase output parameters
V1.0	ES160523069E	May 24, 2016	Update EMC directive and Standards, Changed address

1. SUMMARY OF TEST RESULT

EMISSION			
Description of test item	Standard	Limits	Results
Conducted disturbance at mains terminals	EN62040-2: 2006	C3	Pass
Radiated Disturbance	EN62040-2: 2006	C3	Pass
Harmonic current emissions	EN61000-3-12: 2011	-	Pass
Voltage fluctuation and flicker	EN61000-3-11: 2000	-	Pass
Immunity (C3)			
Description of test item	Basic Standard	Performance Criteria	Results
Electrostatic Discharge (ESD)	EN61000-4-2: 2009	B	Pass
Radio-frequency, Continuous radiated disturbance	EN61000-4-3: 2006+A2:2010	A	Pass
EFT/B Immunity	EN61000-4-4: 2012	B	Pass
Surge Immunity	EN61000-4-5: 2014	B	Pass
Conducted RF Immunity	EN61000-4-6: 2014	A	Pass
Power frequency magnetic field	EN61000-4-8: 2010	A	Pass
Voltage Dips	EN61000-4-11:2004	A	Pass
Low Frequency signals	EN61000-2-2: 2002	A	Pass
Note: N/A is an abbreviation for Not Applicable.			

2. GENERAL INFORMATION

2.1. Description of Device (EUT)

EUT	:	Uninterruptible Power Systems
Model Number	:	RM010/10B, RM015/15B, RM020/10B, RM030/10B, RM040/20B, RM045/15B, RM060/20B (All the modes has the same PCB and circuit diagram, only difference are the output current, input current and rating power. And we take RM060/20B, RM010/10B for test.)
Input Rating	:	RM060/20B: AC Input : 380/400/415VAC, 3 ϕ +N+PE, 50Hz/60Hz, 87Amax, Batt Input: \pm 240Vdc, 120Amax RM045/15B: AC Input : 380/400/415VAC, 3 ϕ +N+PE, 50Hz/60Hz, 65Amax, Batt Input: \pm 240Vdc, 90Amax RM030/10B: AC Input : 380/400/415VAC, 3 ϕ +N+PE, 50Hz/60Hz, 44Amax, Batt Input: \pm 240Vdc, 60Amax RM040/20B: AC Input : 380/400/415VAC, 3 ϕ +N+PE, 50Hz/60Hz, 58Amax, Batt Input: \pm 240Vdc, 80Amax RM020/10B: AC Input : 380/400/415VAC, 3 ϕ +N+PE, 50Hz/60Hz, 29Amax, Batt Input: \pm 240Vdc, 40Amax RM015/15B: AC Input : 380/400/415VAC, 3 ϕ +N+PE, 50Hz/60Hz, 22Amax, Batt Input: \pm 240Vdc, 30Amax RM010/10B: AC Input : 380/400/415VAC, 3 ϕ +N+PE, 50Hz/60Hz, 15Amax, Batt Input: \pm 240Vdc, 20Amax

Output Rating : RM060/20B:
380/400/415VAC,
3ø+N+PE, 50Hz/60Hz, 60kVA/54kW

RM045/15B:
380/400/415VAC,
3ø+N+PE, 50Hz/60Hz, 45kVA/40.5kW

RM030/10B:
380/400/415VAC,
3ø+N+PE, 50Hz/60Hz, 30kVA/27kW

RM040/20B:
380/400/415VAC,
3ø+N+PE, 50Hz/60Hz, 40kVA/36kW

RM020/10B:
380/400/415VAC,
3ø+N+PE, 50Hz/60Hz, 20kVA/18kW

RM015/15B:
380/400/415VAC,
3ø+N+PE, 50Hz/60Hz, 15kVA/13.5kW

RM010/10B:
380/400/415VAC,
3ø+N+PE, 50Hz/60Hz, 10kVA/9kW

Test Voltage : AC 380V / 50Hz

Applicant : INVT POWER SYSTEM (SHENZHEN) CO., LTD.

Address : 5th Floor, 1#Building, Gaofa Industrial Park, LongJing, Nanshan District, Shenzhen, China, 518055

Manufacturer : INVT POWER SYSTEM (SHENZHEN) CO., LTD.

Address : 5th Floor, 1#Building, Gaofa Industrial Park, LongJing, Nanshan District, Shenzhen, China, 518055

Date of receiver : January 23, 2011

Date of Test : January 23, 2011 to February 28, 2011

2.2. Description of Test Facility

Site Description

EMC Lab. : Accredited by CNAS, 2013.10.29
The certificate is valid until 2016.10.28
The Laboratory has been assessed and proved to be in compliance with CNAS-CL01:2006(identical to ISO/IEC17025:2005)
The certificate registration number is 12291.

Accredited by TUV Rheinland Shenzhen 2010.10.25
The Laboratory has been assessed according to the requirements ISO/IEC 17025.

Accredited by FCC, April 17, 2013
The Certificate Registration Number is 709623.

Accredited by Industry Canada, November 29, 2012
The Certificate Registration Number is 46405-4480.

Name of Firm : EMTEK(SHENZHEN) CO., LTD.
Site Location : Bldg 69, Majialong Industry Zone,
Nanshan District, Shenzhen, Guangdong, China

2.3. Measurement Uncertainty

Conducted Emission Uncertainty : 2.8dB

Radiated Emission Uncertainty : 3.4dB

3. MEASURING DEVICE AND TEST EQUIPMENT

3.1. For Power Line Conducted Emission

Item	Equipment	Manufacturer	Model No.	Serial No.	Last Cal.	Cal. Interval
1.	Test Receiver	Rohde & Schwarz	ESCS30	828985/018	May 29, 2009	1 Year
2.	L.I.S.N	Rohde & Schwarz	ESH2-Z5	834549/005	May 29, 2009	1 Year
3.	50Ω Coaxial Switch	Anritsu	MP59B	M20531	N/A	N/A
4.	Pulse Limiter	Rohde & Schwarz	ESH3-Z2	100006	May 29, 2009	1 Year
5.	Voltage Probe	Rohde & Schwarz	TK9416	N/A	May 29, 2009	1 Year

3.2. For 10m Radiated Emission Measurement

Item	Equipment	Manufacturer	Model No.	Serial No.	Last Cal.	Cal. Interval
1.	EMI Test Receiver	Rohde & Schwarz	ESCI	101045	May 29, 2010	1 Year
2.	Pre-Amplifier	CDIL	PAP-0203	22013	May 29, 2010	1 Year
3.	Bilog Antenna	Schwarzbeck	VULB9163	143	May 29, 2010	1 Year
4.	Cable	H+B	CBL3-MN-0.5m	100319-214050 0-1	May 29, 2010	1 Year
5.	Cable	H+B	CBL3-NN-3m	100319-214300 0-1	May 29, 2010	1 Year
6.	Cable	H+B	CBL3-MN-6.5m	100319-214650 0-1	May 29, 2010	1 Year
7.	Cable	H+B	CBL3-NN-10.5m	100319-214105 00	May 29, 2010	1 Year
8.	Cable	H+B	CBL3-NN-12.5m	100319-214125 00	May 29, 2010	1 Year

3.3. For Harmonic Current / Flicker Measurement

Item	Equipment	Manufacturer	Model No.	Serial No.	Last Cal.	Cal. Interval
1.	AC Power source	California Instruments	5001iX-CT S-400-413	72795	May 29, 2010	1 Year

3.4. For Electrostatic Discharge Immunity Test

Item	Equipment	Manufacturer	Model No.	Serial No.	Last Cal.	Cal. Interval
1.	ESD Tester	TESEQAG	NSG 437	000409	May 29, 2010	1 Year

3.5.For RF Strength Susceptibility Test

Item	Equipment	Manufacturer	Model No.	Serial No.	Last Cal.	Cal. Interval
1.	RF Power Meter. Dual Channel	BOONTON	4232A	10539	May 29, 2009	1 Year
2.	50ohm Diode Power Sensor	BOONTON	51011EMC	34236/34238	May 29, 2009	1 Year
3.	Broad-Band Horn Antenna	SCHWARZB ECK	BBHA 9120 L3F	332	May 29, 2009	1 Year
4.	Power Amplifier	PRANA	AP32MT215	N/A	May 29, 2009	1 Year
5.	Power Amplifier	MILMEGA	AS0102-55	N/A	May 29, 2009	1 Year
6.	Signal Generator	AEROFLEX	2023B	N/A	May 29, 2009	1 Year
7.	Field Strength Meter	HOLADAY	HI-6005	N/A	May 29, 2009	1 Year
8.	RS232 Fiber Optic Modem	HOLADAY	HI-4413P	N/A	May 29, 2009	1 Year
9.	Log.-Per. Antenna	SCHWARZB ECK	VULP 9118E	N/A	May 29, 2009	1 Year

3.6.For Electrical Fast Transient /Burst Immunity Test

Item	Equipment	Manufacturer	Model No.	Serial No.	Last Cal.	Cal. Interval
1.	Burst Tester	HAEFELY	PEFT4010	080981-16	May 29, 2009	1 Year
2.	Coupling Clamp	HAEFELY	IP-4A	147147	May 29, 2009	1 Year

3.7.For Surge Immunity Test

Item	Equipment	Manufacturer	Model No.	Serial No.	Last Cal.	Cal. Interval
1.	Surge Controller	HAEFELY	Psurge 8000	174031	May 29, 2010	1 Year
2.	Impulse Module	HAEFELY	PIM 100	174124	May 29, 2010	1 Year
3.	Coupling Decoupling Filter	HAEFELY	PCD 130	172181	May 29, 2010	1 Year
4.	Coupling Module	HAEFELY	PCD122	174354	May 29, 2010	1 Year
5.	Surge Impulse Module	HAEFELY	PIM 120	174435	May 29, 2010	1 Year
6.	Coupling Module	HAEFELY	PCD 126A	174387	May 29, 2010	1 Year
7.	Impulse Module	HAEFELY	PIM 110	174391	May 29, 2010	1 Year

3.8.For Injected Current Susceptibility Test

Item	Equipment	Manufacturer	Model No.	Serial No.	Last Cal.	Cal. Interval
1.	Simulator	EMTEST	CWS500C	0900-12	May 29, 2009	1 Year
2.	CDN	EMTEST	CDN-M2	5100100100	May 29, 2009	1 Year
3.	CDN	EMTEST	CDN-M3	0900-11	May 29, 2009	1 Year
4.	Injection Clamp	EMTEST	F-2031-23 MM	368	May 29, 2009	1 Year
5.	Attenuator	EMTEST	ATT6	0010222A	May 29, 2009	1 Year

3.9.For Magnetic Field Immunity Test

Item	Equipment	Manufacturer	Model No.	Serial No.	Last Cal.	Cal. Interval
1.	Magnetic Field Tester	HAEFELY	MAG100	250040.1	May 29, 2009	1 Year

3.10.Low Frequency Signals Test

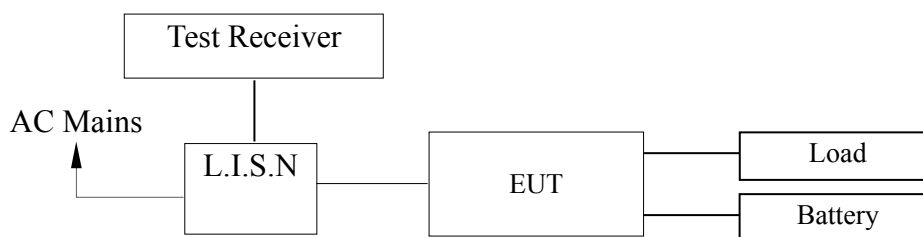
Item	Equipment	Manufacturer	Model No.	Serial No.	Last Cal.	Cal. Interval
1.	Programmable AC Source	CHROMA	65930	/	May 29, 2009	1 Year

3.11.For Voltage Dips and Interruptions Test

Item	Equipment	Manufacturer	Model No.	Serial No.	Last Cal.	Cal. Interval
1.	Dips Tester	HAEFELY	Pline1610	083732-12	May 29, 2009	1 Year

4. POWER LINE CONDUCTED EMISSION MEASUREMENT

4.1. Block Diagram of Test Setup



(EUT: Uninterruptible Power Systems)

4.2. Measuring Standard

EN62040-2: 2006 Category C3

Power Line Conducted Emission Limits (C3)

UPS rated output current A	Frequency range MHz	Limits dB (μV)	
		Quasi-peak	Average
>16 – 100	0,15 to 0,50 ^b	100	90
	0,50 to 5,0 ^b	86	76
	5,0 to 30,0	90 to 70 ^a	80 to 60 ^a
>100	0,15 to 0,50 ^b	130	120
	0,50 to 5,0 ^b	125	115
	5,0 to 30,0	115	105

^a The limits decrease linearly with the logarithm of the frequency.
^b The lower limit shall apply at the transition frequency.

4.3. EUT Configuration on Measurement

The following equipments are installed on Conducted Emission Measurement to meet EN62040-2 requirements and operating in a manner which tends to maximize its emission characteristics in a normal application.

EUT : Uninterruptible Power Systems
 Model Number : RM060/20B, RM010/10B
 Serial Number : N/A

4.4. Operating Condition of EUT

4.4.1. Setup the EUT as shown on Section 4.1.

4.4.2. Turn on the power of all equipments.

4.4.3. Let the EUT work in measuring mode (Line mode/ Battery mode) and measure it.

4.5. Test Procedure

The EUT is put on the plane 0.1m high above the ground by insulating support and connected to the AC mains through Line Impedance Stability Network (L.I.S.N). This provided a 50ohm coupling impedance for the tested equipments. Both sides of AC line are investigated to find out the maximum conducted emission according to the EN62040-2 regulations during conducted emission measurement.

The bandwidth of the field strength meter (R&S Test Receiver ESCS30) is set at 9KHz in 150KHz~30MHz and 200Hz in 9KHz~150KHz.

The frequency range from 150kHz to 30MHz is investigated

All the scanning waveform is put in Appendix I.

4.6. Measuring Results

PASS.

Please reference to the following page.

5. RADIATED EMISSION MEASUREMENT

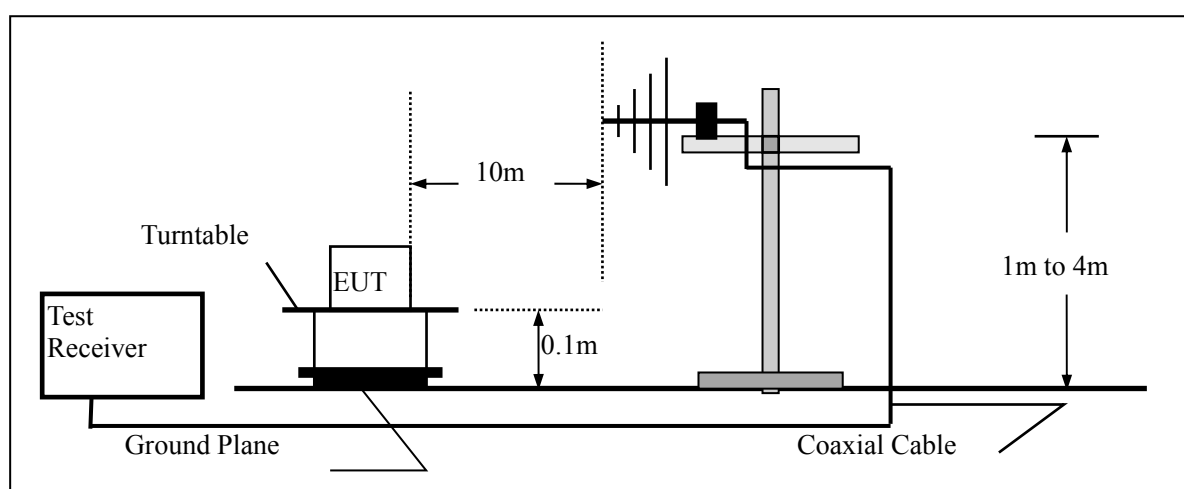
5.1. Block Diagram of Test

5.1.1. Block diagram of connection between the EUT and simulators.



(EUT: Uninterruptible Power Systems)

5.1.2. Block diagram of test setup (In chamber)



(EUT: Uninterruptible Power Systems)

5.2. Measuring Standard

EN62040-2: 2006 Category C3

5.3. Radiated Emission Limits

EN62040-2: 2006 Category C3 Limits:

All emanations from a C3 device or system, including any network of conductors and apparatus connected thereto, shall not exceed the level of field strengths specified below:

FREQUENCY (MHz)	DISTANCE (Meters)	FIELD STRENGTHS LIMIT (dB μ V/m)
30 ~ 230	10	50
230 ~ 1000	10	60

- Note:
- (1) The smaller limit shall apply at the combination point between two frequency bands.
 - (2) Distance refers to the distance in meters between the measuring

5.4.EUT Configuration on Test

The EN62040-2 regulations test method must be used to find the maximum emission during radiated emission measurement.

5.5.Operating Condition of EUT

5.5.1.Turn on the power.

5.5.2.After that, let the EUT work in test mode (Line mode/Battery mode) and measure it.

5.6.Test Procedure

The EUT is placed on a turn table which is 0.1 meter high above the ground. The turn table can rotate 360 degrees to determine the position of the maximum emission level. The EUT is set 10 meters away from the receiving antenna which is mounted on a antenna tower. The antenna can be moved up and down from 1 to 4 meters to find out the maximum emission level. Bilog antenna (calibrated by Dipole Antenna) is used as a receiving antenna. Both horizontal and vertical polarization of the antenna are set on test.

The bandwidth of the Receiver is set at 120kHz.

All the scanning curves are attached in Appendix II.

5.7.Measuring Results

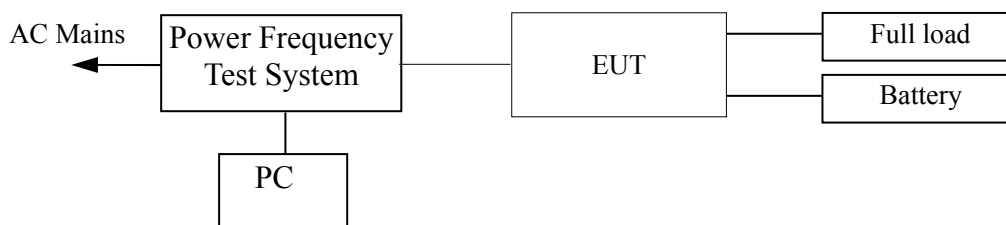
PASS.

The frequency range from 30MHz to 1000MHz is investigated.

Please reference to Appendix II.

6. HARMONIC CURRENT EMISSION MEASUREMENT

6.1. Block Diagram of Test Setup



(EUT: Uninterruptible Power Systems)

6.2. Measuring Standard

EN 61000-3-12: 2005

6.3. Operation Condition of EUT

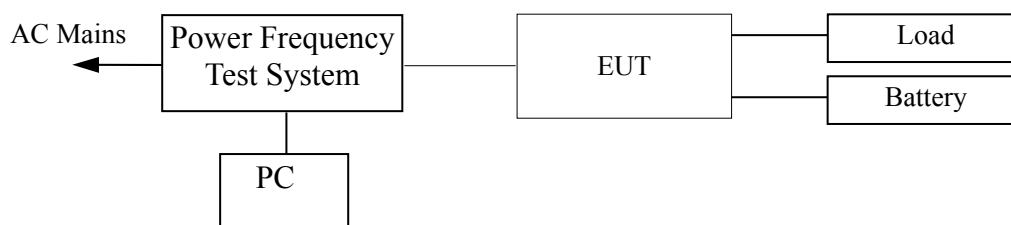
Same as Section 4.4, except the test setup replaced as Section 6.1.

6.4. Measuring Results

PASS.

7. VOLTAGE FLUCTUATION AND FLICKER MEASUREMENT

7.1. Block Diagram of Test Setup



(EUT: Uninterruptible Power Systems)

7.2. Measuring Standard

EN 61000-3-11: 2000

7.3. Operation Condition of EUT

Same as Section 4.4, except the test setup replaced as Section 7.1.

7.4. Measuring Results

PASS.

8. ELECTROSTATIC DISCHARGE IMMUNITY TEST

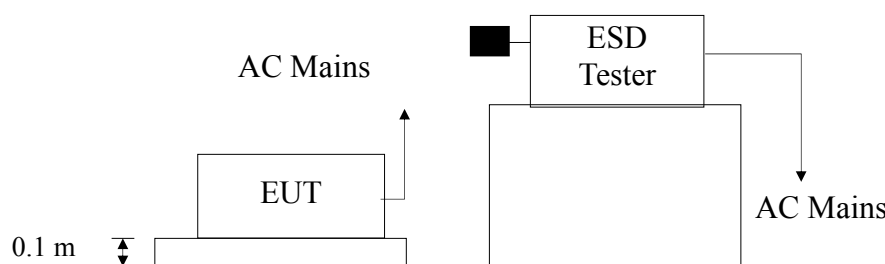
8.1. Block Diagram of Test Setup

8.1.1. Block diagram of connection between the EUT and simulators.



(EUT: Uninterruptible Power Systems)

8.1.2. Block diagram of ESD test setup



(EUT: Uninterruptible Power Systems)

8.2. Test Standard

EN62040-2:2006

(EN61000-4-2: 2009 Severity Level: 3 / Air Discharge: ± 8 KV

Level: 2 / Contact Discharge: ± 4 KV)

8.3. Severity Levels and Performance Criterion

8.3.1. Severity level

Level	Test Voltage Contact Discharge (KV)	Test Voltage Air Discharge (KV)
1.	± 2	± 2
2.	± 4	± 4
3.	± 6	± 8
4.	± 8	± 15
X	Special	Special

8.3.2. Performance criterion: B

8.4. EUT Configuration

The configuration of EUT is listed in Section 4.3.

8.5. Operating Condition of EUT

Same as conducted emission measurement, which is listed in Section 4.4. Except the test set up replaced by Section 8.1.

8.6. Test Procedure

8.6.1. Air Discharge:

This test is done on a non-conductive surface. The round discharge tip of the discharge electrode shall be approached as fast as possible to touch the EUT. After each discharge, the discharge electrode shall be removed from the EUT. The generator is then re-triggered for a new single discharge and repeated 10 times for each pre-selected test point. This procedure shall be repeated until all the air discharge completed.

8.6.2. Contact Discharge:

All the procedure shall be same as Section 8.6.1. Except that the tip of the discharge electrode shall touch the EUT before the discharge switch is operated.

8.6.3. Indirect discharge for horizontal coupling plane

At least 10 single discharges (in the most sensitive polarity) shall be applied at the front edge of each HCP opposite the center point of each unit (if applicable) of the EUT and 0.1m from the front of the EUT. The long axis of the discharge electrode shall be in the plane of the HCP and perpendicular to its front edge during the discharge.

8.6.4. Indirect discharge for vertical coupling plane

At least 10 singles discharge (in the most sensitive polarity) shall be applied to the center of one vertical edge of the coupling plane. The coupling plane, of dimensions 0.5m X 0.5m, is placed parallel to, and positioned at a distance of 0.1m from the EUT. Discharges shall be applied to the coupling plane, with this plane in sufficient different positions that the four faces of the EUT are completely illuminated.

8.7. Test Results

PASS

Please refer to the following pages

Electrostatic Discharge Test Result

EMTEK(SHENZHEN) CO., LTD.

Applicant	: INVT POWER SYSTEM (SHENZHEN) CO., LTD.	
EUT	: Uninterruptible Power Systems	Test Date : February 26, 2011
M/N	: RM060/20B, RM010/10B	Temperature : 22°C
Power Supply	: AC 380V / 50Hz	Humidity : 50%
Air discharge	: ± 8.0KV	Test Mode : Line mode/ Battery mode
Contact discharge:	± 4.0KV	Criterion : B
Location	Kind A-Air Discharge C-Contact Discharge	Result
All slots of EUT	A	PASS
Metal	C	PASS
Button	A	PASS
LED	A	PASS
LCD	A	PASS
Screw	C	PASS
Port	C	PASS
HCP	C	PASS
VCP of front	C	PASS
VCP of rear	C	PASS
VCP of left	C	PASS
VCP of right	C	PASS
Test Equipment: ESD Simulator (EMTEST, ESD30C)		

9. RF FIELD STRENGTH SUSCEPTIBILITY TEST

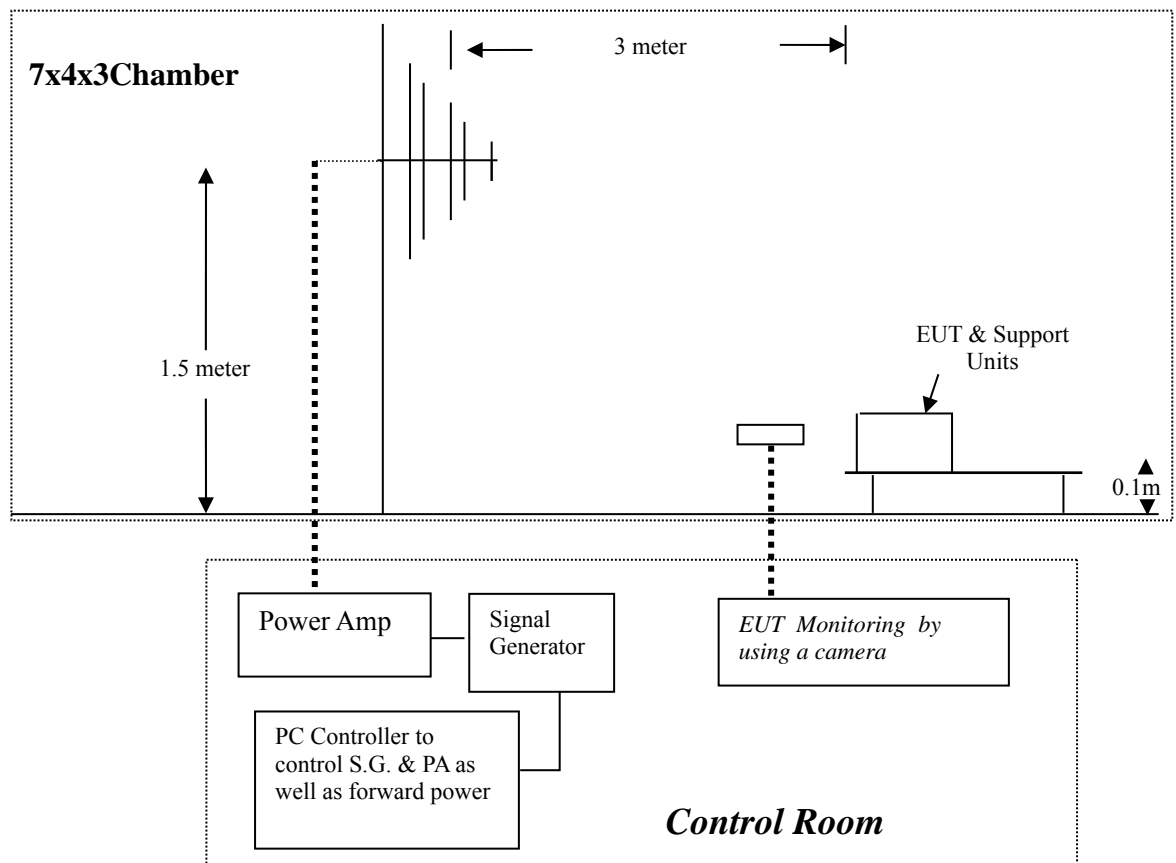
9.1. Block Diagram of Test

9.1.1. Block diagram of connection between the EUT and simulators.



(EUT: Uninterruptible Power Systems)

9.1.2. Block diagram of RS test setup



(EUT: Uninterruptible Power Systems)

9.2. Test Standard

EN62040-2:2006 (EN61000-4-3: 2006+A2:2010, Severity Level: 3, 10V / m)

9.3. Severity Levels and Performance Criterion

9.3.1. Severity Levels

Level	Field Strength V/m
1.	1
2.	3
3.	10
X	Special

9.3.2. Performance Criterion: A

9.4. EUT Configuration on Test

The configuration of the EUT is same as Section 4.3.

9.5. Operating Condition of EUT

Same as radiated emission measurement that is listed in Section 4.4, except the test setup replaced as Section 9.1.

9.6. Test Procedure

The EUT are placed on a table that is 0.1 meter high above the ground. The EUT is set 3 meters away from the transmitting antenna that is mounted on an antenna tower. Both horizontal and vertical polarization of the antenna is set on test. Each of the four sides of the EUT must be faced this transmitting antenna and measured individually. In order to judge the EUT performance, a CCD camera is used to monitor it. All the scanning conditions are as following:

Condition of Test	Remark
1. Fielded Strength	10V/m (Severity Level 3)
2. Radiated Signal	Modulated
3. Scanning Frequency	80-1000MHz
4. Sweep time of radiated	0.0015 Decade/s
5. Dwell Time	1 Sec.

9.7. Test Results

PASS.

Please refer to the following page.

RF Field Strength Susceptibility Test Results

EMTEK(SHENZHEN) CO., LTD.

Applicant : INVT POWER SYSTEM (SHENZHEN) CO., LTD.				
EUT : Uninterruptible Power Systems		Test Date : February 26, 2011		
M/N : RM060/20B, RM010/10B		Temperature : 22°C		
Field Strength : 10 V/m		Humidity : 50 %		
Power Supply : AC 380V / 50Hz		Criterion : A		
Test Mode : Line mode/ Battery mode		Frequency Range: 80 MHz to1000 MHz		
Modulation: <input type="checkbox"/> None <input type="checkbox"/> Pulse <input checked="" type="checkbox"/> AM 1KHz 80%				
Frequency Rang 1: 80~ 1000MHz		Frequency Rang 2: N/A		
Steps	1%			
	Horizontal	Vertical	Horizontal	Vertical
Front	PASS	PASS		
Right	PASS	PASS		
Rear	PASS	PASS		
Left	PASS	PASS		
<p>Test Equipment:</p> <ol style="list-style-type: none"> 1. Signal Generator: 2023B (AEROFLEX) 2. Power Amplifier: AS0102-55 (MILMEGA)&AP32MT215 (PRANA) 3. Log.-Per.Antenna: VULP9118E(SCHWARZBECK) 4. Broad-Band Horn Antenna: BBHA 9120L3F(SCHWARZBECK) 5. RF Power Meter. Dual Channel: 4232A(BOONTON) 6. Field Strength Meter: HI-6005 (HOLADAY) 				
Note:				

10. ELECTRICAL FAST TRANSIENT/BURST IMMUNITY TEST

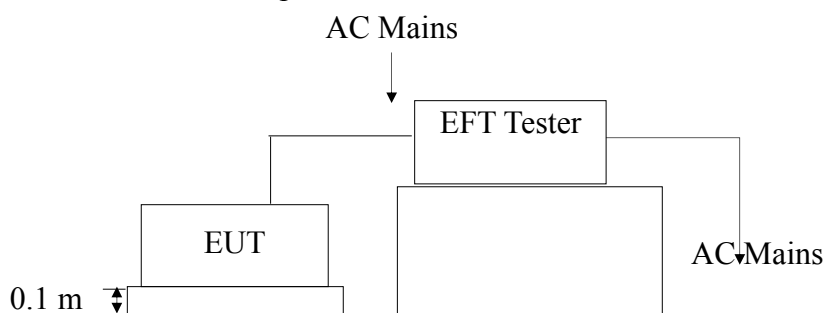
10.1. Block Diagram of Test Setup

10.1.1. Block Diagram of the EUT.



(EUT: Uninterruptible Power Systems)

10.1.2. EFT Test Setup



(EUT: Uninterruptible Power Systems)

10.2. Test Standard

EN62040-2:2006 (EN61000-4-4: 2012, Severity Level: 3, 2KV)

10.3. Severity Levels and Performance Criterion

10.3.1. Severity level

Open Circuit Output Test Voltage $\pm 10\%$		
Level	On Power Supply Lines	On I/O (Input/Output) Signal data and control lines
1	0.5 KV	0.25 KV
2	1 KV	0.5 KV
3	2 KV	1 KV
4	4 KV	2 KV
X	Special	Special

10.3.2. Performance criterion: B

10.4. EUT Configuration

The configuration of EUT is listed in Section 4.3.

10.5. Operating Condition of EUT

- 10.5.1. Setup the EUT as shown in Section 10.1.
- 10.5.2. Turn on the power of all equipments.
- 10.5.3. Let the EUT work in test mode (Line mode) and measure it.

10.6. Test Procedure

The EUT is put on the table that is 0.1 meter high above the ground. This reference ground plane shall project beyond the EUT by at least 0.1m on all sides and the minimum distance between EUT and all other conductive structure, except the ground plane beneath the EUT, shall be more than 0.5m.

10.6.1..For input and output AC power ports:

The EUT is connected to the power mains by using a coupling device that couples the EFT interference signal to AC power lines. Both polarities of the test voltage should be applied during compliance test and the duration of the test is 2 mins.

10.6.2..For signal lines and control lines ports:

No I/O ports. It's unnecessary to test.

10.6.3..For DC output line ports:

It's unnecessary to test.

10.7. Test Result

PASS.

Please refer to the following page.

Electrical Fast Transient/Burst Test Results

EMTEK(SHENZHEN) CO., LTD.

Standard : <input checked="" type="checkbox"/> EN 61000-4-4	Result: <input checked="" type="checkbox"/> PASS / <input type="checkbox"/> FAIL		
Applicant : <u>INVT POWER SYSTEM (SHENZHEN) CO., LTD.</u>			
EUT : <u>Uninterruptible Power Systems</u>			
M/N : <u>RM060/20B, RM010/10B</u>			
Input Voltage: <u>AC 380V / 50Hz</u>			
Criterion : B			
Ambient Condition : <u>22 °C</u> <u>50% RH</u>			
Operation Mode: Line mode			
Line : <input checked="" type="checkbox"/> AC Mains	Line : <input type="checkbox"/> Signal <input type="checkbox"/> I/O Cable		
Coupling : <input checked="" type="checkbox"/> Direct	Coupling : <input type="checkbox"/> Capacitive		
Test Time : 120s			
Line	Test Voltage	Result(+)	Result(-)
L1, L2, L3, PE	2kV	PASS	PASS
L1-L2, L1-L3, L2-L3	2kV	PASS	PASS
L1-PE, L2-PE, L3-PE,	2kV	PASS	PASS
L1-L2- PE, L1-L3- PE, L2-L3- PE, L1-L2-L3	2kV	PASS	PASS
L1-L2-L3-PE	2kV	PASS	PASS
Signal Line			
DC Line			
Note:			
Test Equipment		Burst Tester Model : PEFT 4010	

11.SURGE IMMUNITY TEST

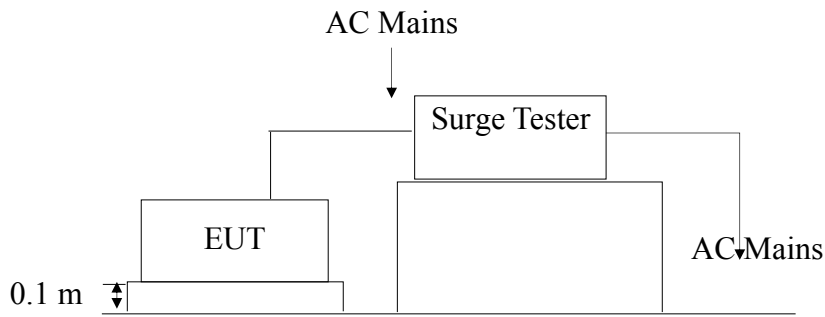
11.1.Block Diagram of Test Setup

11.1.1.Block Diagram of the EUT.



(EUT: Uninterruptible Power Systems)

11.1.2.Surge Test Setup



11.2.Test Standard

EN62040-2:2006

(EN61000-4-5: 2014, Severity Level: Line to Line: Level 2, 1.0KV;
Line to earth, Level 3, 2.0KV)

11.3.Severity Levels and Performance Criterion

11.3.1.Severity level

Severity Level	Open-Circuit Test Voltage KV
1	0.5
2	1.0
3	2.0
4	4.0
*	Special

11.3.2.Performance criterion: B

11.4.EUT Configuration

The configuration of EUT is listed in Section 4.3.

11.5. Operating Condition of EUT

11.5.1. Setup the EUT as shown in Section 11.1.

11.5.2. Turn on the power of all equipments.

11.5.3. Let the EUT work in test mode (Line mode) and measure it.

11.6. Test Procedure

- 1) Set up the EUT and test generator as shown on Section 11.1.2.
- 2) For line to line coupling mode, provide a 1.0 KV 1.2/50us voltage surge
For line to earth coupling mode, provide a 2.0 KV 1.2/50us voltage surge.
(At open-circuit condition) and 8/20us current surge to EUT selected points.
- 3) At least 5 positive and 5 negative (polarity) tests with a maximum 1/min repetition rate are conducted during test.
- 4) Different phase angles are done individually.
- 5) Record the EUT operating situation during compliance test and decide the EUT immunity criterion for above each test.

11.7. Test Result

PASS.

Please refer to the following page.

Surge Immunity Test Result

EMTEK(SHENZHEN) CO., LTD.

Applicant : INVT POWER SYSTEM (SHENZHEN) CO., LTD. Test Date : February 26, 2011
 EUT : Uninterruptible Power Systems Temperature : 22°C
 M/N : RM060/20B, RM010/10B Humidity : 50%
 Power Supply : AC 380V / 50Hz Criterion : B
 Test Mode : Line mode

Location	Polarity	Phase Angle	Number of Pulse	Pulse Voltage (kV)	Result
L1-L2, L1-L3, L2-L3	+	0°, 90°, 180°, 270°	5	1.0	PASS
	-	0°, 90°, 180°, 270°	5	1.0	PASS
L1-N, L2-N, L3-N	+	0°, 90°, 180°, 270°	5	1.0	PASS
	-	0°, 90°, 180°, 270°	5	1.0	PASS
L1-PE, L2-PE, L3-PE	+	0°, 90°, 180°, 270°	5	2.0	PASS
	-	0°, 90°, 180°, 270°	5	2.0	PASS
N-PE	+	0°, 90°, 180°, 270°	5	2.0	PASS
	-	0°, 90°, 180°, 270°	5	2.0	PASS
				Test Equipment:PIM100, PCD130 Surge Tester: King	

12. INJECTED CURRENTS SUSCEPTIBILITY TEST

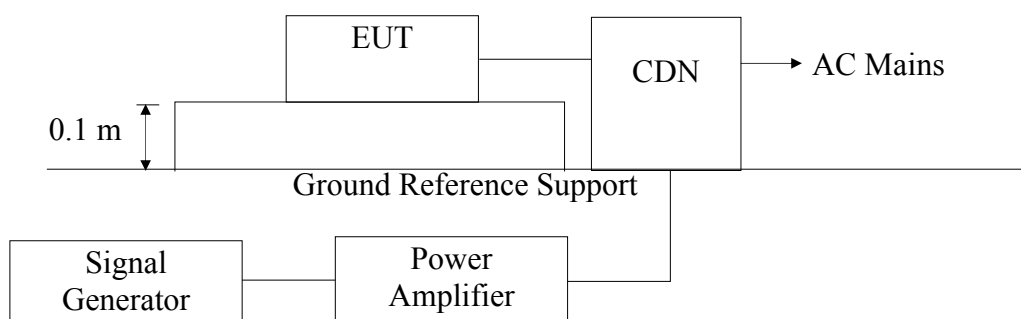
12.1. Block Diagram of Test Setup

12.1.1. Block Diagram of the EUT.



(EUT: Uninterruptible Power Systems)

12.1.2. Block Diagram of Test Setup



(EUT: Uninterruptible Power Systems)

12.2. Test Standard

EN62040-2:2006

(EN61000-4-6: 2014, Severity Level: Level 3, 10V (r.m.s.), 0.15MHz ~ 80MHz)

12.3. Severity Levels and Performance Criterion

12.3.1. Severity level

Level	Field Strength V
1	1
2	3
3	10
X	Special

12.3.2. Performance criterion: A

12.4. EUT Configuration

The configuration of EUT is listed in Section 4.3.

12.5. Operating Condition of EUT

12.5.1. Setup the EUT as shown in Section 12.1.

12.5.2. Turn on the power of all equipments.

12.5.3. Let the EUT work in test mode (Line mode) and measure it.

12.6. Test Procedure

- 1) Set up the EUT, CDN and test generators as shown on Section 12.1.2.
- 2) Let the EUT work in test mode and measure it.
- 3) The EUT are placed on an insulating support 0.1m high above a ground reference plane. CDN (coupling and decoupling device) is placed on the ground plane about 0.3m from EUT. Cables between CDN and EUT are as short as possible, and their height above the ground reference plane shall be between 30 and 50 mm (where possible).
- 4) The disturbance signal described below is injected to EUT through CDN.
- 5) The EUT operates within its operational mode(s) under intended climatic conditions after power on.
- 6) The frequency range is swept from 150KHz to 80MHz using 3V signal level, and with the disturbance signal 80% amplitude modulated with a 1KHz sine wave.
- 7) The rate of sweep shall not exceed $1.5 \cdot 10^{-3}$ decades/s. where the frequency is swept incrementally; the step size shall not exceed 1% of the start and thereafter 1% of the preceding frequency value.
- 8) Recording the EUT operating situation during compliance testing and decide the EUT immunity criterion.

12.7. Test Results

PASS.

Please refer to the following page.

Injected Currents Susceptibility Test Results

EMTEK(SHENZHEN) CO., LTD.

Applicant : <u>INVT POWER SYSTEM (SHENZHEN) CO., LTD.</u>				
EUT : <u>Uninterruptible Power Systems</u>		Test Date: <u>February 26, 2011</u>		
M/N : <u>RM060/20B, RM010/10B</u>		Temperature : <u>22°C</u>		
Power Supply : <u>AC 380V / 50Hz</u>		Humidity : <u>58%</u>		
Test Engineer : <u>ANDY</u>				
Test Mode: <u>Line mode</u>				
Frequency Range (MHz)	Injected Position	Strength (Unmodulated)	Criterion	Result
0.15 ~ 80	AC Mains	10V	A	PASS
Test Mode : <u>N/A</u>				
Frequency Range (MHz)	Injected Position	Strength (Unmodulated)	Criterion	Result
Remark : 1. Modulation Signal:1KHz 80% AM Measurement Equipment : Simulator: CWS 500 (SWITZERLAND EMTEST) CDN : <input type="checkbox"/> CDN-M2 (SWITZERLAND EMTEST) <input checked="" type="checkbox"/> CDN-M3 (SWITZERLAND EMTEST)		Note:		

13.MAGNETIC FIELD SUSCEPTIBILITY TEST

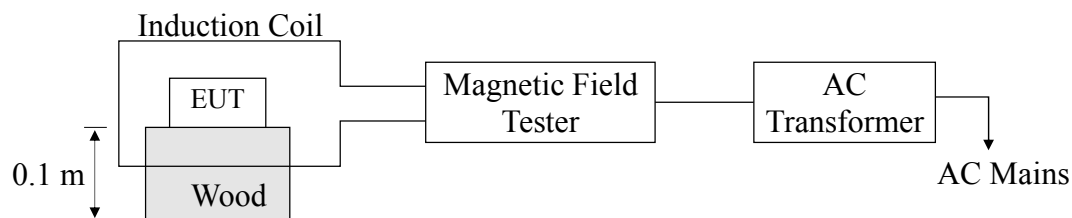
13.1.Block Diagram of Test

13.1.1.Block diagram of test setup.



(EUT: Uninterruptible Power Systems)

13.1.2.Magnetic field test setup



Ground Reference Support

(EUT: Uninterruptible Power Systems)

13.2.Test Standard

EN62040-2:2006

(EN61000-4-8: 2010, Severity Level: Level 4, 30A / m)

13.3.Severity Levels and Performance Criterion

13.3.1.Severity Levels

Level	Field Strength A/m
1	1
2	3
3	10
4	30
5	100
X	Special

13.3.2.Performance Criterion: A

13.4.EUT Configuration on Test

The configuration of the EUT is same as Section 4.3.

13.5. Test Procedure

The EUT is placed in the middle of a induction coil (1*1m), under which is a 1*1*0.1m (high) table, this small table is also placed on a larger table, 0.8 m above the ground. Both horizontal and vertical polarization of the induction coil is set on test, so that each side of the EUT is affected by the magnetic field. Also can reach the same aim by change the position of the EUT.

13.6. Test Results

PASS.

Please refer to the following page.

Magnetic Field Immunity Test Result

EMTEK(SHENZHEN) CO., LTD.

Standard: <input checked="" type="checkbox"/> EN 61000-4-8	Result: <input checked="" type="checkbox"/> PASS / <input type="checkbox"/> FAIL			
Applicant : <u>INVT POWER SYSTEM (SHENZHEN) CO., LTD.</u> EUT : <u>Uninterruptible Power Systems</u> M/N : <u>RM060/20B, RM010/10B</u> Input Voltage : <u>AC380V/50Hz</u> Date of Test : <u>February 26, 2011</u> Test Engineer: <u>ANDY</u> Ambient Condition : Temp : <u>22°C</u> Humid: <u>50%</u> Criterion: A				
Operation Mode: Line mode/ Battery mode				
Test Level (A/M)	Testing Duration	Coil Orientation	Criterion	Result
30	5 mins	X	A	PASS
30	5 mins	Y	A	PASS
30	5 mins	Z	A	PASS
Operation Mode: N/A				
Test Level (A/M)	Testing Duration	Coil Orientation	Criterion	Result
Test Equipment	Magnetic Field Test: HEAFELY MAG 100.1			
Note:				

14. VOLTAGE DIPS AND INTERRUPTIONS TEST

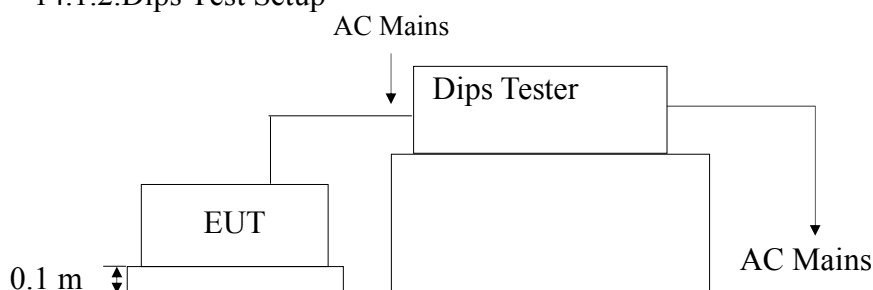
14.1. Block Diagram of Test Setup

14.1.1. Block Diagram of the EUT.



(EUT: Uninterruptible Power Systems)

14.1.2. Dips Test Setup



(EUT: Uninterruptible Power Systems)

14.2. Test Standard

EN62040-2:2006 (EN61000-4-11: 2004)

14.3. Severity Levels and Performance Criterion

14.3.1. Severity level

Test Level %UT	Voltage dip and short interruptions %UT	Duration (in period)
0	100	0.5
40	60	1
70	30	5
		10
		25
		50
		*

14.3.2. Performance criterion: B&C

14.4. EUT Configuration

The configuration of EUT is listed in Section 4.3.

14.5. Operating Condition of EUT

14.5.1. Setup the EUT as shown in Section 14.1.

14.5.2. Turn on the power of all equipments.

14.5.3. Let the EUT work in test mode (Line mode) and measure it.

14.6. Test Procedure

- 1) Set up the EUT and test generator as shown on Section 14.1.2.
- 2) The interruption is introduced at selected phase angles with specified duration.
- 3) Record any degradation of performance.

14.7. Test Result

PASS.

Please refer to the following page.

Voltage Dips and Interruptions Test Results

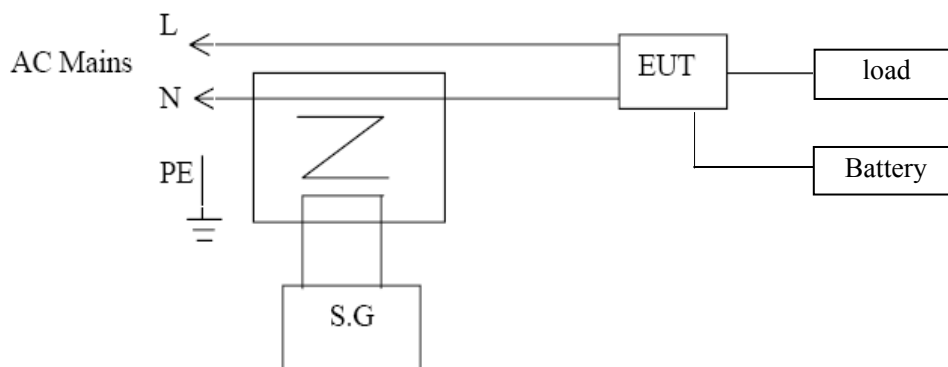
EMTEK(SHENZHEN) CO., LTD.

Applicant : <u>INVT POWER SYSTEM (SHENZHEN) CO., LTD.</u>				
EUT : <u>Uninterruptible Power Systems</u>			Test Date : <u>February 26, 2011</u>	
M/N : <u>RM060/20B, RM010/10B</u>			Temperature : <u>22°C</u>	
Power Supply : <u>AC 380V / 50Hz</u>			Humidity : <u>50%</u>	
Test Mode: <u>Line mode</u>				
Test Level % U _T	Voltage Dips & Short Interruptions % U _T	Duration (in periods)	Criterion <input checked="" type="checkbox"/> A <input type="checkbox"/> B <input type="checkbox"/> C <input type="checkbox"/> D	Result P=PASS F=FAIL
0	100	0.5p	A	P
0	100	1 p	A	P
40	60	12 p	A	P
70	30	30 p	A	P
80	20	300 p	A	P
Test Mode : <u>N/A</u>				
Test Level % U _T	Voltage Dips & Short Interruptions % U _T	Duration (in periods)	Criterion <input type="checkbox"/> A <input type="checkbox"/> B <input type="checkbox"/> C <input type="checkbox"/> D	Result P=PASS F=FAIL
Note:				

15. LOW FREQUENCY SIGNALS TEST

15.1. Block Diagram of Test Setup

15.1.1. Block Diagram of the EUT



(EUT: Uninterruptible Power Systems)

15.2. Test Standard

EN61000-2-2: 2002, Performance: A

15.3. Operating Condition of EUT

Same as Section 4.5, Except the test setup replaced by Section 15.1.

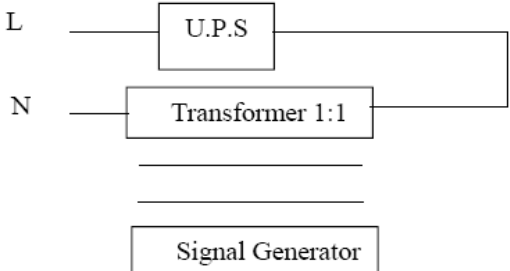
15.4. Test Results

PASS.

Please refer to following pages.

Low Frequency Signals Test Result

EMTEK(SHENZHEN) CO., LTD.

Applicant : <u>INVT POWER SYSTEM (SHENZHEN) CO., LTD.</u> EUT : <u>Uninterruptible Power Systems</u> M/N : <u>RM060/20B, RM010/10B</u> Power Supply : <u>AC380V/50Hz</u> Test Engineer : <u>KYLE</u>			Test Date: <u>February 26, 2011</u> Temperature : <u>22°C</u> Humidity : <u>58%</u> Test Mode : <u>Full load</u>	
Frequency Range (Hz)	Position	Strength	Result	Note
140	See Fig.1	10V(rms) Sinusoidal	PASS	
160			PASS	
200			PASS	
240			PASS	
280			PASS	
320			PASS	
360			PASS	
Note 		Test Equipment: 1. Isolation transformer Primary: Secondary=1:1 2. Signal Generator AC Source: 65930(Chroma)		

16.PHOTOGRAPH

16.1.Photo of Conducted Emission Measurement



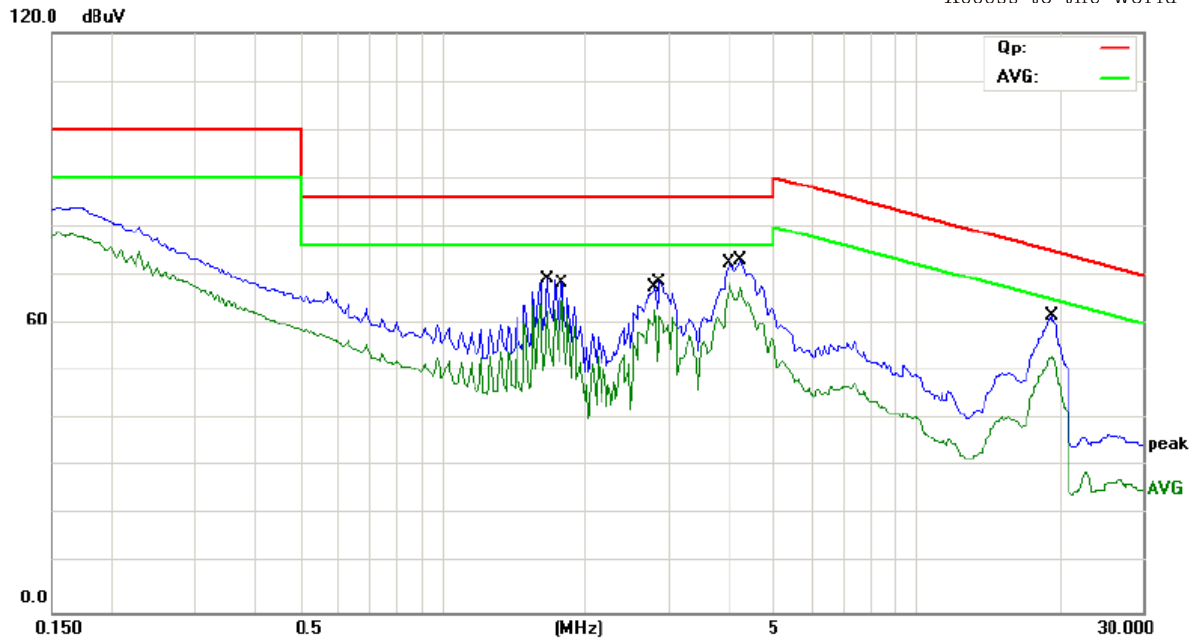
16.2.Photo of Radiation Emission Measurement



16.3.Photo of Surge Test



APPENDIX I



Site Conduction #2

Phase: **N**

Temperature: 22

Limit: (CE)EN62040-2 (16-100A)QP

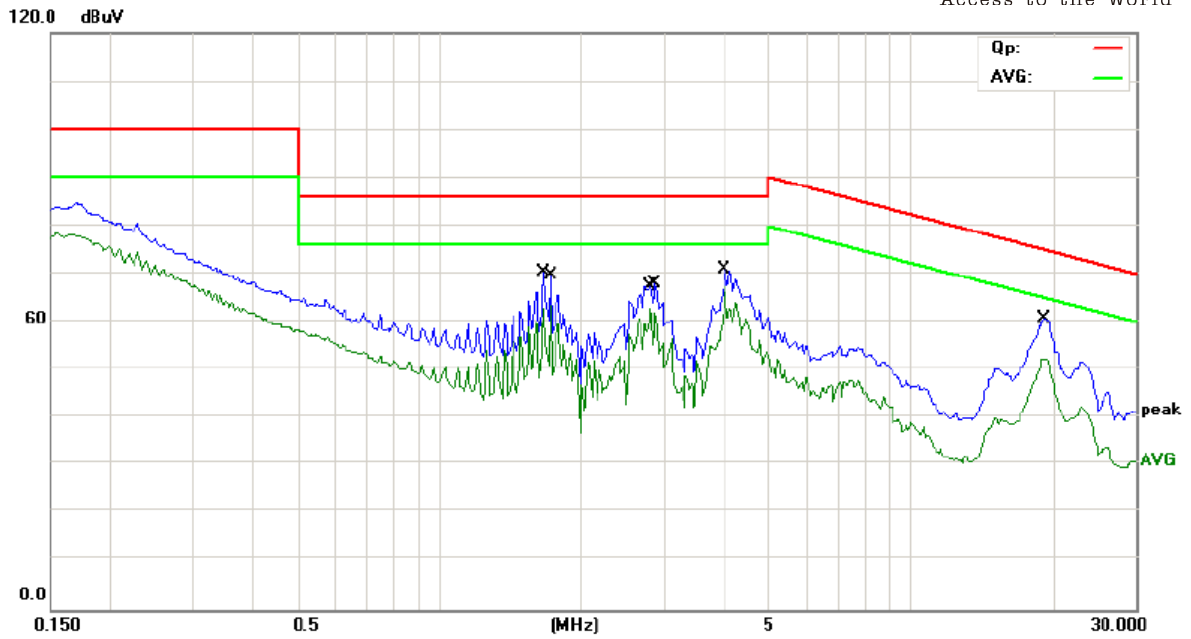
Power:

Humidity: 50 %

Note: BAT MODE

No.	Mk.	Freq. MHz	Reading Level dBuV	Correct Factor dB	Measure- ment dBuV	Limit dBuV	Over dB	Detector	Comment
1		1.6700	69.11	0.00	69.11	86.00	-16.89	QP	
2		1.7900	64.75	0.00	64.75	76.00	-11.25	AVG	
3		2.8200	62.79	0.00	62.79	76.00	-13.21	AVG	
4		2.8800	68.54	0.00	68.54	86.00	-17.46	QP	
5	*	4.0300	68.34	0.00	68.34	76.00	-7.66	AVG	
6		4.2600	72.97	0.00	72.97	86.00	-13.03	QP	
7		19.3000	61.75	0.00	61.75	74.92	-13.17	QP	
8		19.3000	53.25	0.00	53.25	64.92	-11.67	AVG	

*:Maximum data x:Over limit !:over margin Comment: Factor build in receiver. Operator: xzj



Site Conduction #2

Phase: **L1**

Temperature: 22

Limit: (CE)EN62040-2 (16-100A)QP

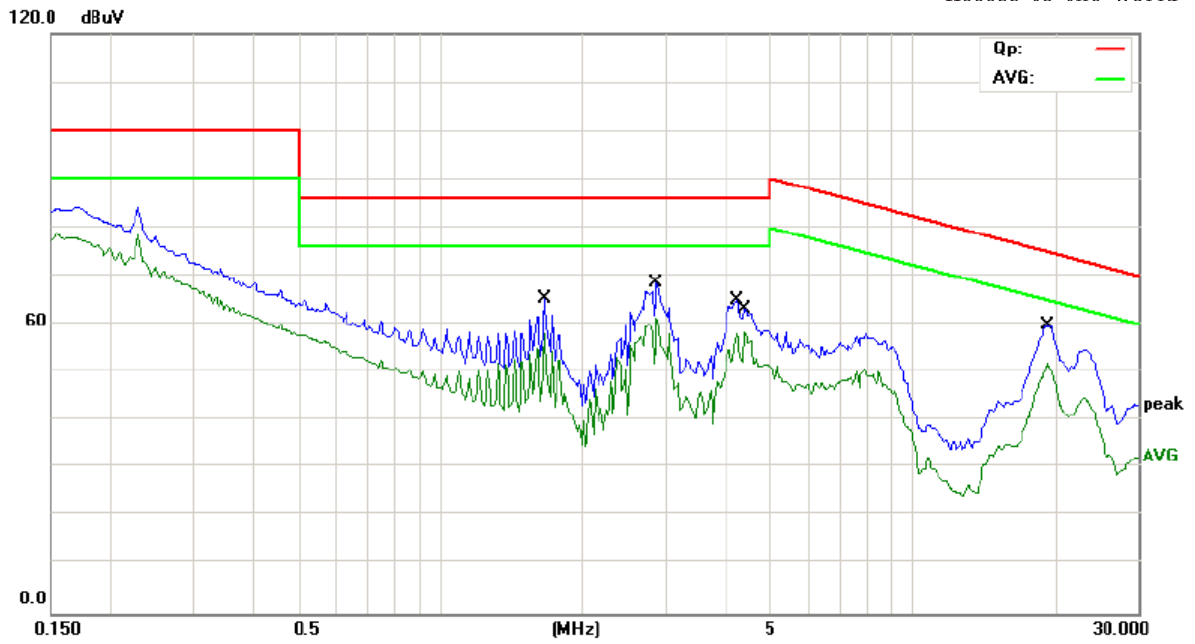
Power:

Humidity: 50 %

Note: BAT MODE

No.	Mk.	Freq. MHz	Reading Level dBuV	Correct Factor dB	Measure- ment dBuV	Limit dBuV	Over dB	Detector	Comment
1		1.6700	70.30	0.00	70.30	86.00	-15.70	QP	
2		1.7250	63.48	0.00	63.48	76.00	-12.52	AVG	
3		2.8200	62.75	0.00	62.75	76.00	-13.25	AVG	
4		2.8800	67.86	0.00	67.86	86.00	-18.14	QP	
5		4.0300	70.81	0.00	70.81	86.00	-15.19	QP	
6	*	4.0300	67.33	0.00	67.33	76.00	-8.67	AVG	
7		19.1750	60.76	0.00	60.76	75.00	-14.24	QP	
8		19.1750	52.49	0.00	52.49	65.00	-12.51	AVG	

*:Maximum data x:Over limit !:over margin Comment: Factor build in receiver. Operator: xzj



Site Conduction #2

Phase: **L2**

Temperature: 22

Limit: (CE)EN62040-2 (16-100A)QP

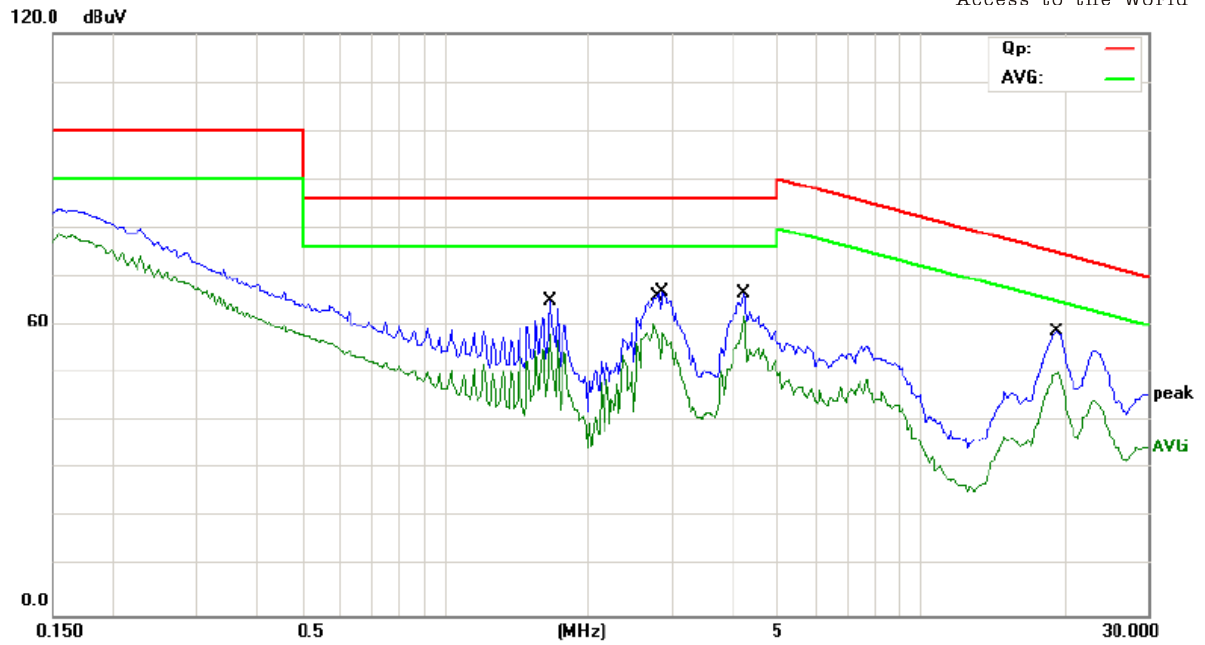
Power:

Humidity: 50 %

Note: BAT MODE

No.	Mk.	Freq. MHz	Reading Level dBuV	Correct Factor dB	Measure- ment dBuV	Limit dBuV	Over dB	Detector	Comment
1		1.6700	65.34	0.00	65.34	86.00	-20.66	QP	
2		1.6700	58.10	0.00	58.10	76.00	-17.90	AVG	
3		2.8800	68.46	0.00	68.46	86.00	-17.54	QP	
4		2.8800	61.49	0.00	61.49	76.00	-14.51	AVG	
5		4.2600	65.01	0.00	65.01	86.00	-20.99	QP	
6		4.4300	58.21	0.00	58.21	76.00	-17.79	AVG	
7		19.3000	59.88	0.00	59.88	74.92	-15.04	QP	
8	*	19.3000	51.93	0.00	51.93	64.92	-12.99	AVG	

*:Maximum data x:Over limit !:over margin Comment: Factor build in receiver. Operator: xzj



Site Conduction #2

Phase: **L3**

Temperature: 22

Limit: (CE)EN62040-2 (16-100A)QP

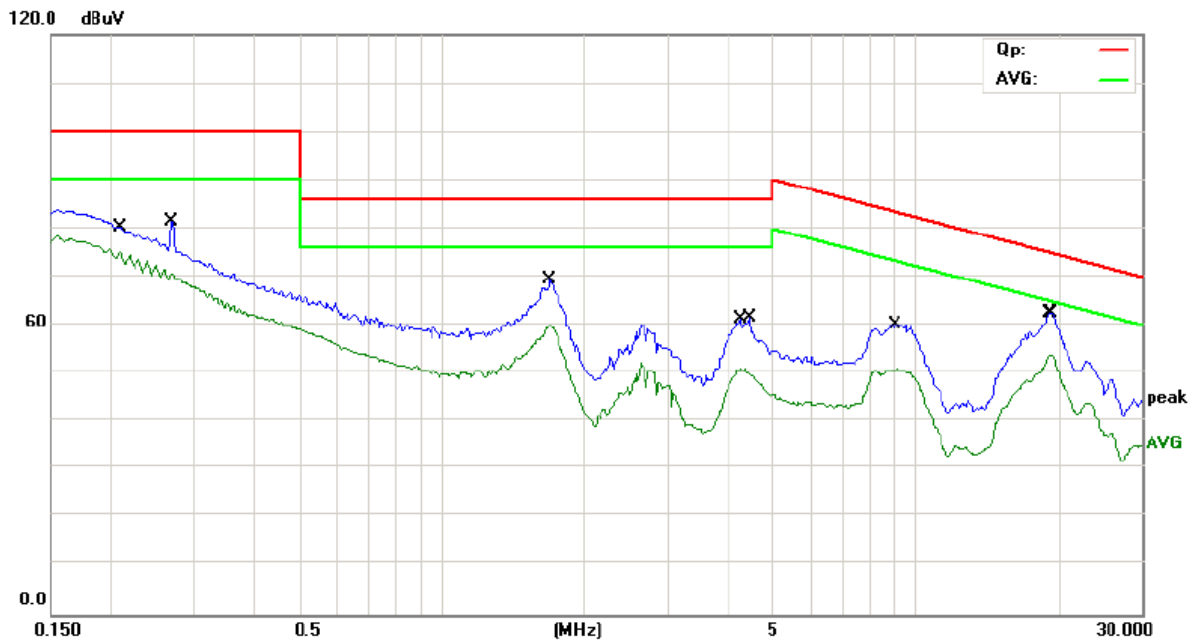
Power:

Humidity: 50 %

Note: BAT MODE

No.	Mk.	Freq. MHz	Reading Level dBuV	Correct Factor dB	Measure- ment dBuV	Limit dBuV	Over dB	Detector	Comment
1		1.6700	64.88	0.00	64.88	86.00	-21.12	QP	
2		1.6700	57.99	0.00	57.99	76.00	-18.01	AVG	
3		2.7600	60.42	0.00	60.42	76.00	-15.58	AVG	
4		2.8800	66.61	0.00	66.61	86.00	-19.39	QP	
5		4.2600	66.49	0.00	66.49	86.00	-19.51	QP	
6	*	4.2600	61.84	0.00	61.84	76.00	-14.16	AVG	
7		19.3000	58.65	0.00	58.65	74.92	-16.27	QP	
8		19.4750	50.11	0.00	50.11	64.82	-14.71	AVG	

*:Maximum data x:Over limit !:over margin Comment: Factor build in receiver. Operator: xzj



Site Conduction #2

Phase: **L1**

Temperature: 22

Limit: (CE)EN62040-2 (16-100A)QP

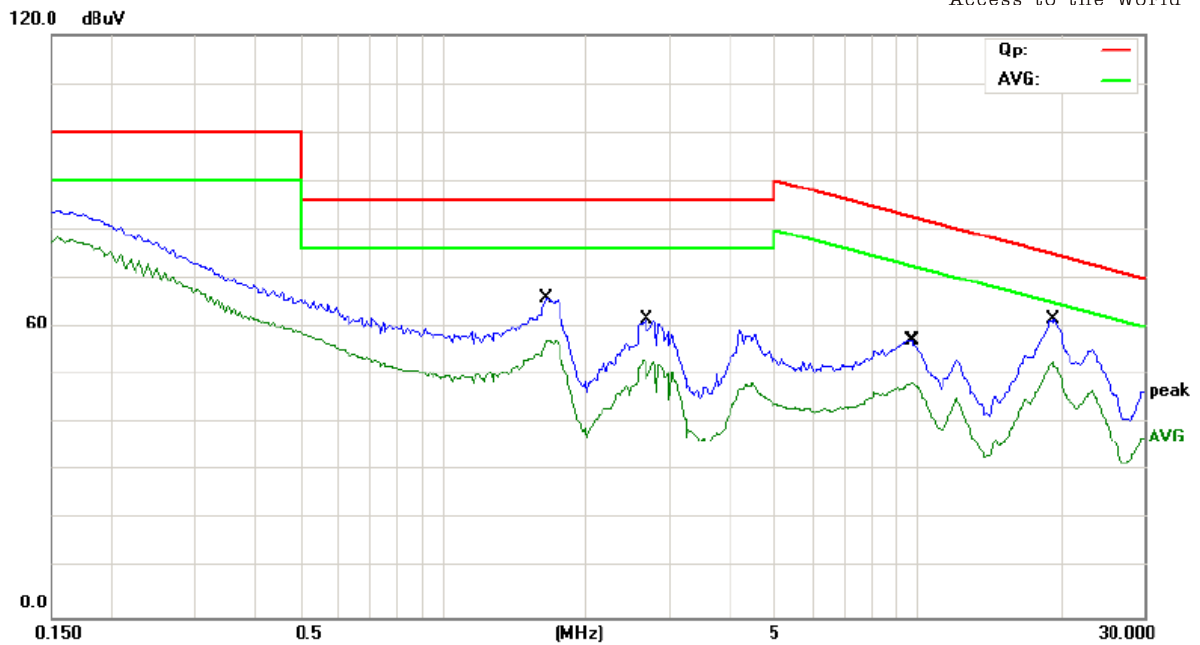
Power: AC 380V/50Hz

Humidity: 50 %

Note: LINE MODE

No.	Mk.	Freq. MHz	Reading Level dBuV	Correct Factor dB	Measure- ment dBuV	Limit dBuV	Over dB	Detector	Comment
1		0.2100	75.11	0.00	75.11	90.00	-14.89	AVG	
2		0.2700	81.50	0.00	81.50	100.00	-18.50	QP	
3		1.6900	69.35	0.00	69.35	86.00	-16.65	QP	
4		1.6900	59.91	0.00	59.91	76.00	-16.09	AVG	
5		4.2700	51.21	0.00	51.21	76.00	-24.79	AVG	
6		4.4700	61.65	0.00	61.65	86.00	-24.35	QP	
7		9.0900	60.18	0.00	60.18	83.33	-23.15	QP	
8		9.1500	51.07	0.00	51.07	73.25	-22.18	AVG	
9		19.1750	62.69	0.00	62.69	75.00	-12.31	QP	
10	*	19.4500	53.99	0.00	53.99	64.84	-10.85	AVG	

*:Maximum data x:Over limit !:over margin Comment: Factor build in receiver. Operator: xzj



Site Conduction #2

Phase: **L2**

Temperature: 22

Limit: (CE)EN62040-2 (16-100A)QP

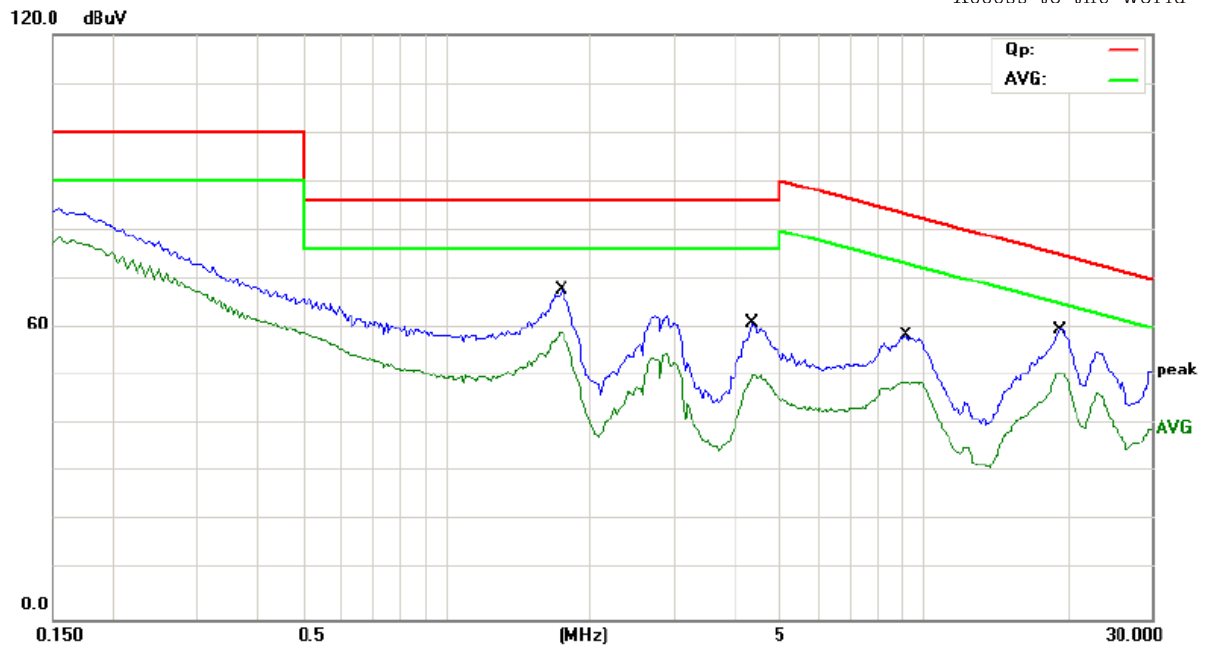
Power: AC 380V/50Hz

Humidity: 50 %

Note: LINE MODE

No.	Mk.	Freq. MHz	Reading Level dBuV	Correct Factor dB	Measure- ment dBuV	Limit dBuV	Over dB	Detector	Comment
1		1.6500	65.91	0.00	65.91	86.00	-20.09	QP	
2		1.6500	57.21	0.00	57.21	76.00	-18.79	AVG	
3		2.6400	53.23	0.00	53.23	76.00	-22.77	AVG	
4		2.6900	61.73	0.00	61.73	86.00	-24.27	QP	
5		9.7300	57.30	0.00	57.30	82.57	-25.27	QP	
6		9.8600	48.54	0.00	48.54	72.42	-23.88	AVG	
7	*	19.2500	52.95	0.00	52.95	64.95	-12.00	AVG	
8		19.4000	61.72	0.00	61.72	74.87	-13.15	QP	

*:Maximum data x:Over limit !:over margin Comment: Factor build in receiver. Operator: xzj



Site Conduction #2

Phase: **L3**

Temperature: 22

Limit: (CE)EN62040-2 (16-100A)QP

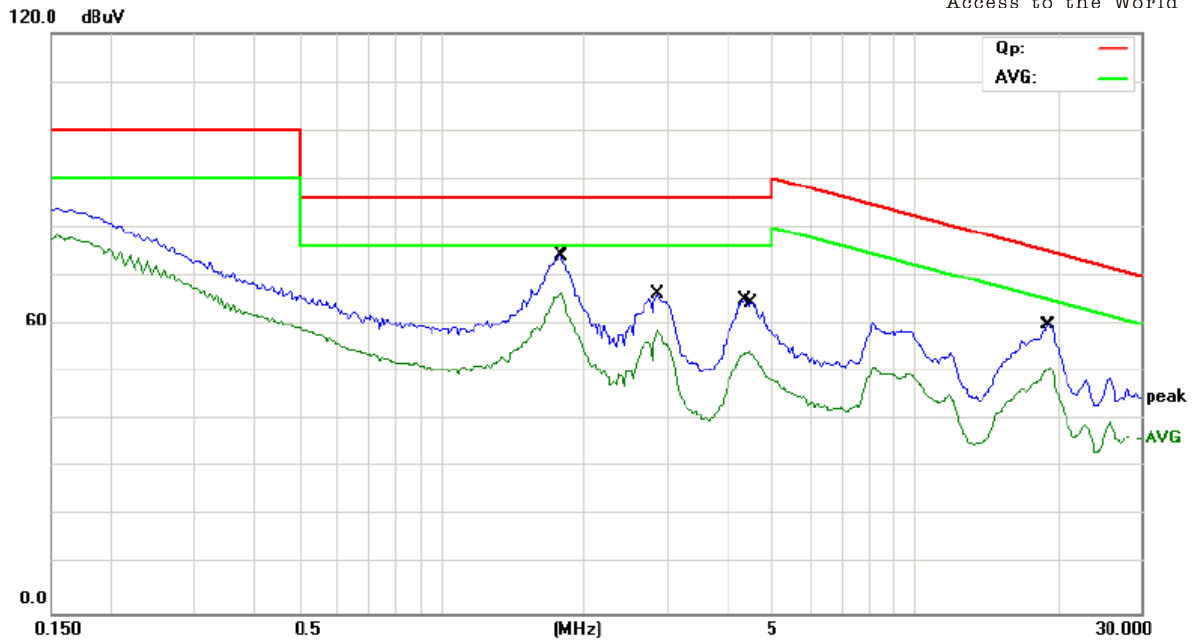
Power: AC 380V/50Hz

Humidity: 50 %

Note: LINE MODE

No.	Mk.	Freq. MHz	Reading Level dBuV	Correct Factor dB	Measure- ment dBuV	Limit dBuV	Over dB	Detector	Comment
1		1.7300	59.06	0.00	59.06	76.00	-16.94	AVG	
2		1.7500	67.60	0.00	67.60	86.00	-18.40	QP	
3		4.4000	60.97	0.00	60.97	86.00	-25.03	QP	
4		4.4000	50.32	0.00	50.32	76.00	-25.68	AVG	
5		9.1800	58.34	0.00	58.34	83.22	-24.88	QP	
6		9.1800	48.86	0.00	48.86	73.22	-24.36	AVG	
7		19.3000	59.56	0.00	59.56	74.92	-15.36	QP	
8	*	19.3000	50.77	0.00	50.77	64.92	-14.15	AVG	

*:Maximum data x:Over limit !:over margin Comment: Factor build in receiver. Operator: xzj



Site Conduction #2

Phase: **N**

Temperature: 22

Limit: (CE)EN62040-2 (16-100A)QP

Power: AC 380V/50Hz

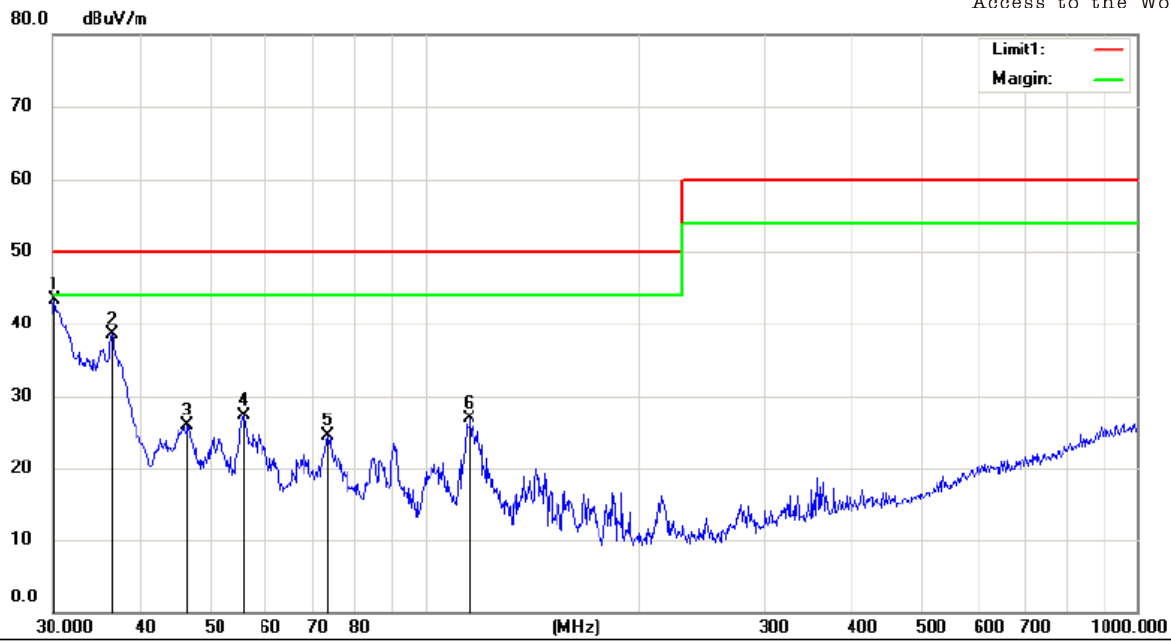
Humidity: 50 %

Note: LINE MODE

No. Mk.	Freq. MHz	Reading Level dBuV	Correct Factor dB	Measurement dBuV	Limit dBuV	Over dB	Detector	Comment
1	1.7850	74.16	0.00	74.16	86.00	-11.84	QP	
2 *	1.8050	66.30	0.00	66.30	76.00	-9.70	AVG	
3	2.8600	66.25	0.00	66.25	86.00	-19.75	QP	
4	2.8600	58.69	0.00	58.69	76.00	-17.31	AVG	
5	4.3700	65.07	0.00	65.07	86.00	-20.93	QP	
6	4.4700	54.43	0.00	54.43	76.00	-21.57	AVG	
7	19.1000	59.75	0.00	59.75	75.04	-15.29	QP	
8	19.2750	51.04	0.00	51.04	64.94	-13.90	AVG	

*:Maximum data x:Over limit !:over margin Comment: Factor build in receiver. Operator: xzj

APPENDIX II

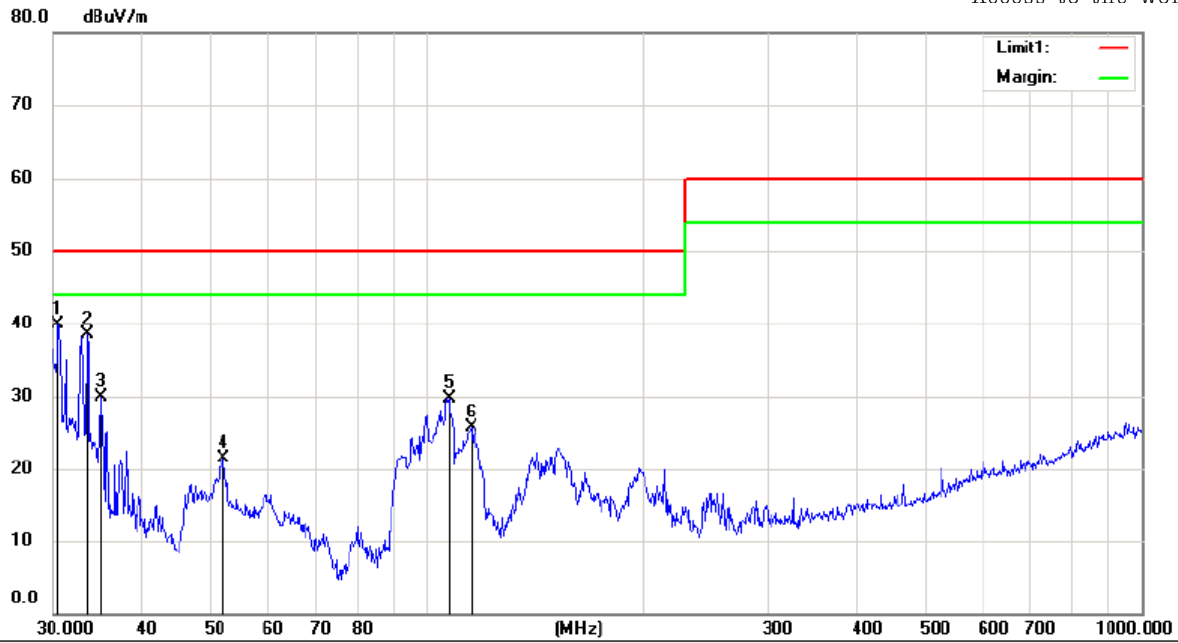


Site site #1 Polarization: **Horizontal** Temperature: 26 C
 Limit: EN62040-2 C3 10M Power: Humidity: 50 %
 Note: BAT MODE

No.	Mk.	Freq. MHz	Reading Level dBuV	Correct Factor dB	Measure- ment dBuV/m	Limit dBuV/m	Over dB	Antenna Height cm	Table Degree degree	Comment
1	*	30.2111	66.77	-23.47	43.30	50.00	-6.70	QP		
2		36.3813	61.49	-23.04	38.45	50.00	-11.55	QP		
3		46.5030	47.93	-22.04	25.89	50.00	-24.11	QP		
4		55.8047	49.68	-22.37	27.31	50.00	-22.69	QP		
5		73.1025	51.61	-27.02	24.59	50.00	-25.41	QP		
6		115.7256	50.38	-23.46	26.92	50.00	-23.08	QP		

*:Maximum data x:Over limit !:over margin

Operator: JOE



Site site #1 Polarization: **Vertical** Temperature: 26 C
 Limit: EN62040-2 C3 10M Power: Humidity: 50 %
 Note: BAT MODE

No.	Mk.	Freq. MHz	Reading Level dBuV	Correct Factor dB	Measure- ment dBuV/m	Limit dBuV/m	Over dB	Antenna Height cm	Table Degree	Comment
1	*	30.5306	63.40	-23.47	39.93	50.00	-10.07	QP		
2		33.4450	61.96	-23.43	38.53	50.00	-11.47	QP		
3		35.0048	53.36	-23.42	29.94	50.00	-20.06	QP		
4		51.8430	43.70	-22.22	21.48	50.00	-28.52	QP		
5		107.5101	52.08	-22.31	29.77	50.00	-20.23	QP		
6		115.3205	49.14	-23.39	25.75	50.00	-24.25	QP		

*:Maximum data x:Over limit !:over margin

Operator: JOE

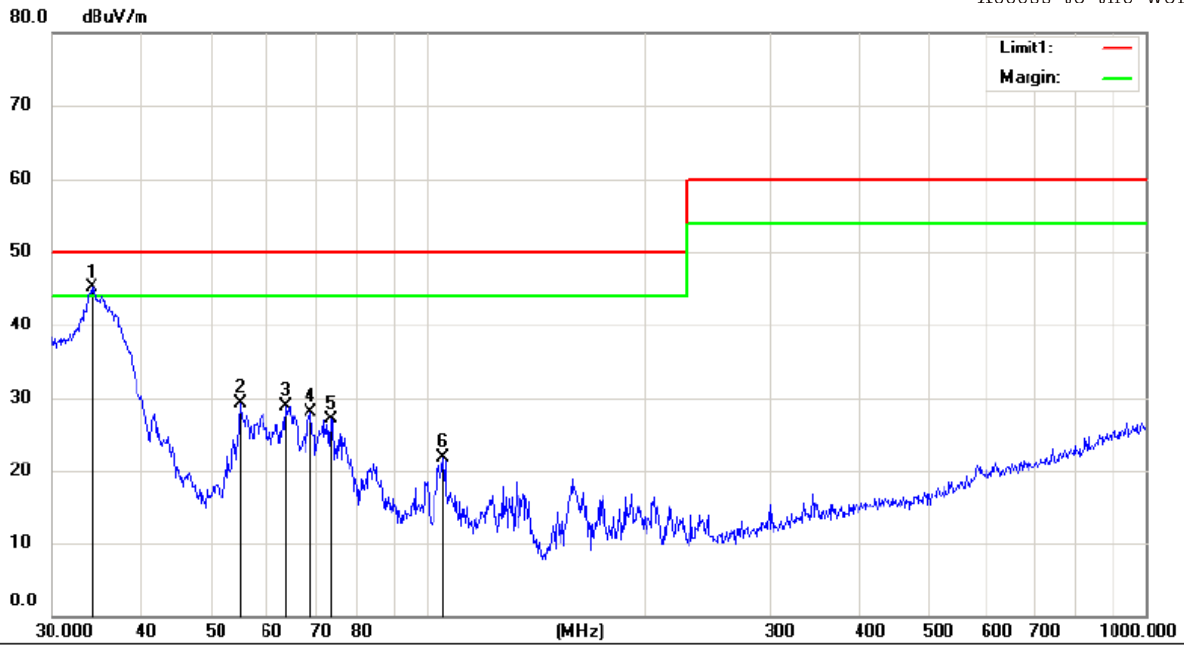


Site site #1 Polarization: **Vertical** Temperature: 26 C
 Limit: EN62040-2 C3 10M Power: AC 380V/50Hz Humidity: 50 %
 Note: LINE MODE

No.	Mk.	Freq. MHz	Reading Level dBuV	Correct Factor dB	Measure- ment dBuV/m	Limit dBuV/m	Over dB	Detector	Antenna Height cm	Table Degree degree	Comment
1	*	34.2760	68.73	-23.43	45.30	50.00	-4.70	QP			
2	!	37.0250	67.06	-22.86	44.20	50.00	-5.80	QP			
3		59.2324	65.21	-22.54	42.67	50.00	-7.33	QP			
4		72.3375	64.20	-26.91	37.29	50.00	-12.71	QP			
5		82.9384	56.10	-25.48	30.62	50.00	-19.38	QP			
6		104.5360	52.64	-22.06	30.58	50.00	-19.42	QP			

*:Maximum data x:Over limit !:over margin

Operator: JOE



Site site #1 Polarization: **Horizontal** Temperature: 26 C
 Limit: EN62040-2 C3 10M Power: AC 380V/50Hz Humidity: 50 %
 Note: LINE MODE

No.	Mk.	Freq. MHz	Reading Level dBuV	Correct Factor dB	Measure- ment dBuV/m	Limit dBuV/m	Over dB	Antenna Height cm	Table Degree	Comment
1	*	34.0365	68.55	-23.42	45.13	50.00	-4.87	QP		
2		54.8348	51.72	-22.33	29.39	50.00	-20.61	QP		
3		63.5356	52.87	-23.96	28.91	50.00	-21.09	QP		
4		68.8721	54.16	-26.08	28.08	50.00	-21.92	QP		
5		73.3593	54.25	-27.07	27.18	50.00	-22.82	QP		
6		105.2717	44.06	-22.13	21.93	50.00	-28.07	QP		

*:Maximum data x:Over limit l:over margin

Operator: JOE

APPENDIX III (Photos of EUT)



